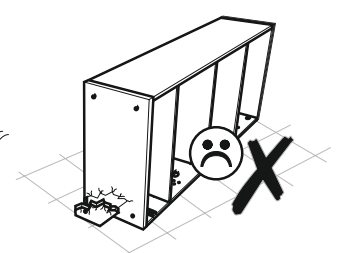
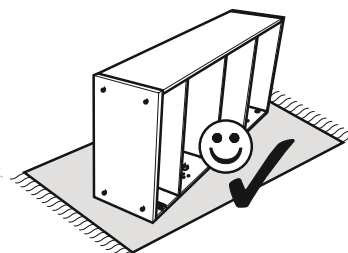
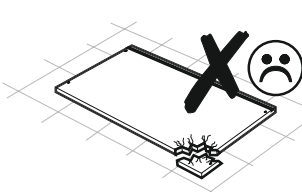
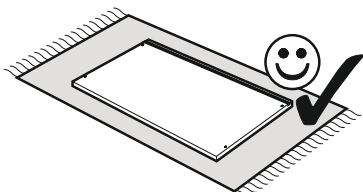
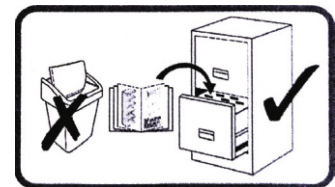
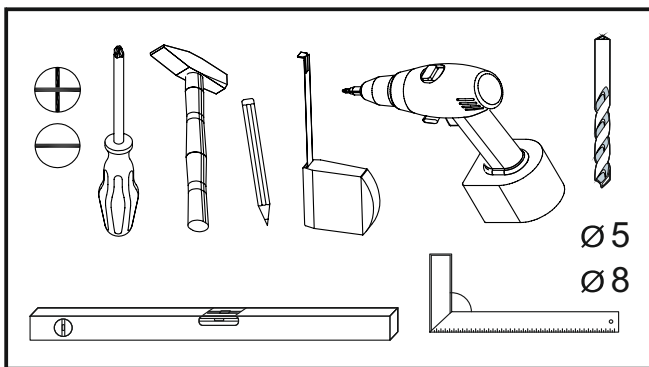
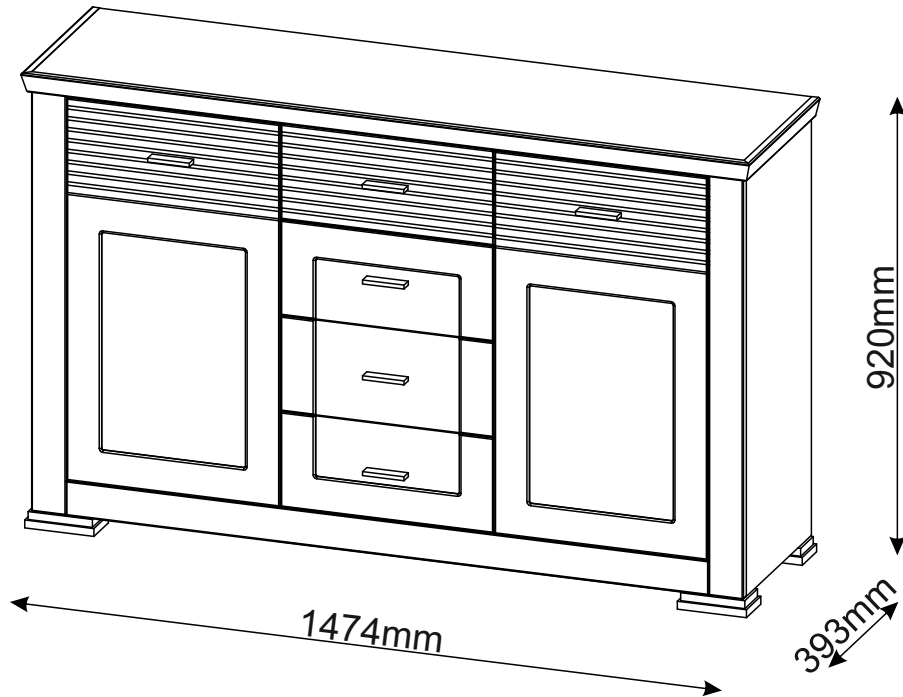
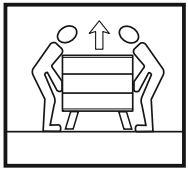
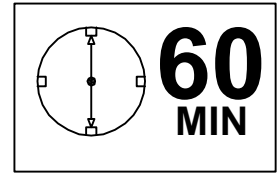
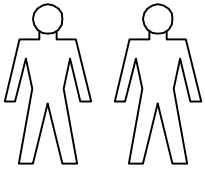



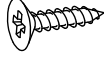
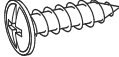
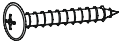
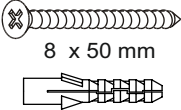

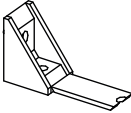

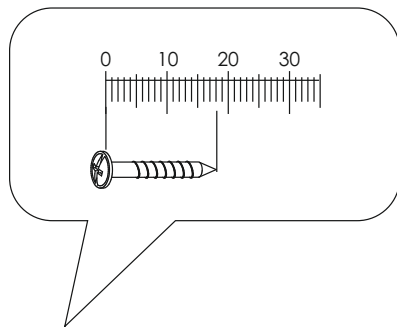


# Agnes Chest 2D/4Dr




# Agnes Chest 2D/4Dr

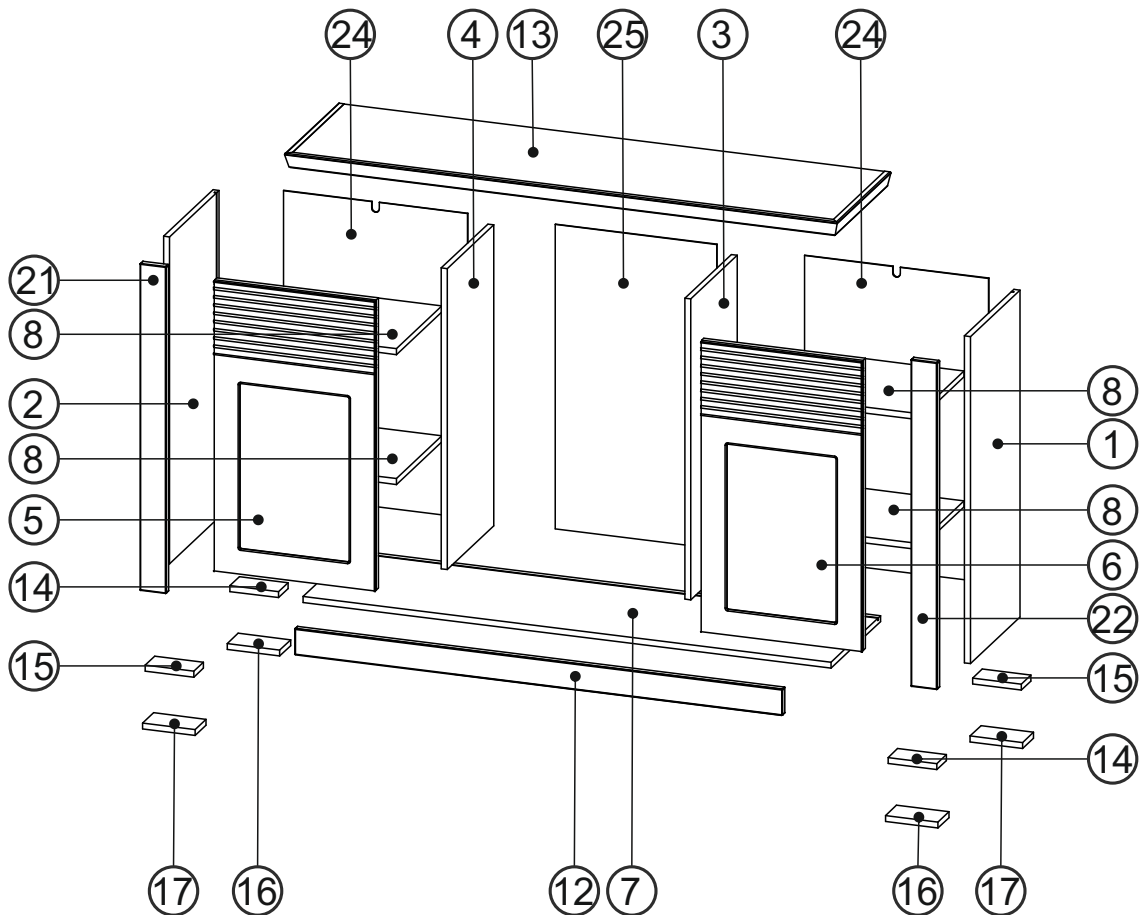
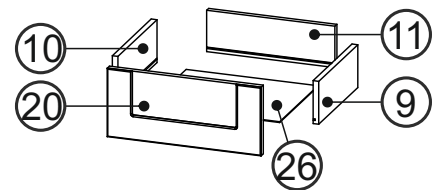
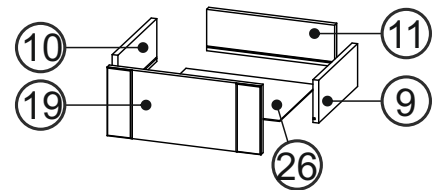
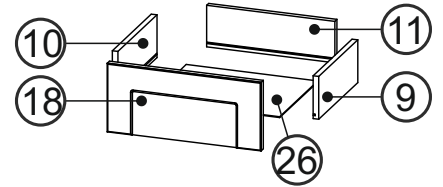
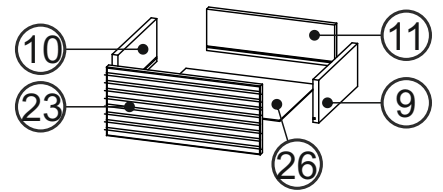
<b>A0</b> 8 x 30mm <b>x20</b> 	<b>B0</b>  <b>x16</b>	<b>B1</b> 6.4x 50 mm <b>x20</b> 
<b>B2</b> 7 x 70 mm <b>x4</b> 	<b>C0</b>  <b>x16</b>	<b>C1</b> 16mm  <b>x20</b>
<b>C2</b> <b>x20</b> 	<b>D0</b> 3 x 15 mm <b>x50</b> 	<b>D10</b> 4 x 16 mm <b>x8</b> 
<b>D17</b>  3,5 x 16 mm <b>x46</b>	<b>D18</b>  4.2 x 30 mm <b>x16</b>	<b>D20</b> 5 x 13 mm <b>x40</b> 
<b>E4</b> 5 x 50 mm 8 x 50 mm  <b>x2</b>	<b>F0</b>  <b>x18</b>	<b>F1</b>  <b>x9</b>
<b>F2</b>  <b>x4</b>	<b>F10</b>  <b>x6</b>	<b>G8A</b>  <b>x4</b>
<b>G8B</b>  <b>x4</b>	<b>H0</b>  <b>x16</b>	<b>I1</b>  <b>x2</b>
<b>L35</b>  <b>x6</b>	<b>N23</b> L-300  <b>x4</b>	<b>T8</b>  <b>x2</b>
<b>U0</b>  <b>x12</b>	<b>U2</b>  <b>x8</b>	<b>Z</b> 4mm  <b>x1</b>




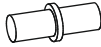
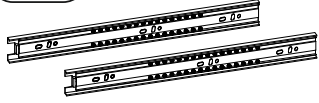


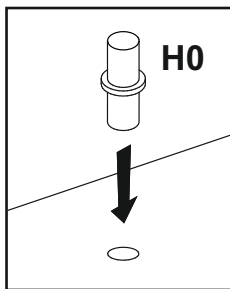
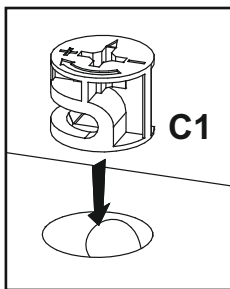
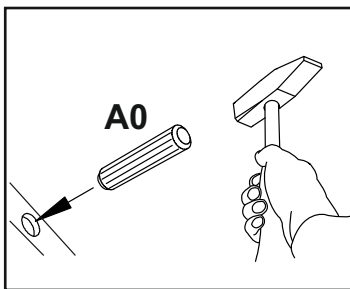
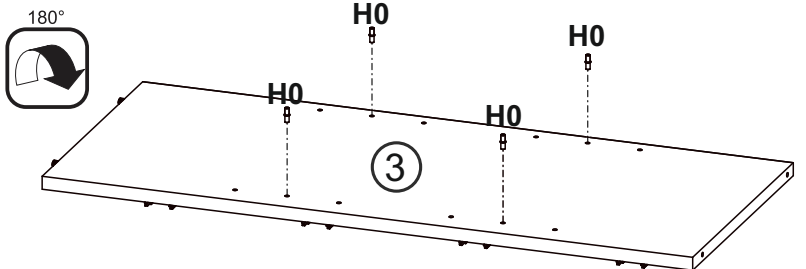
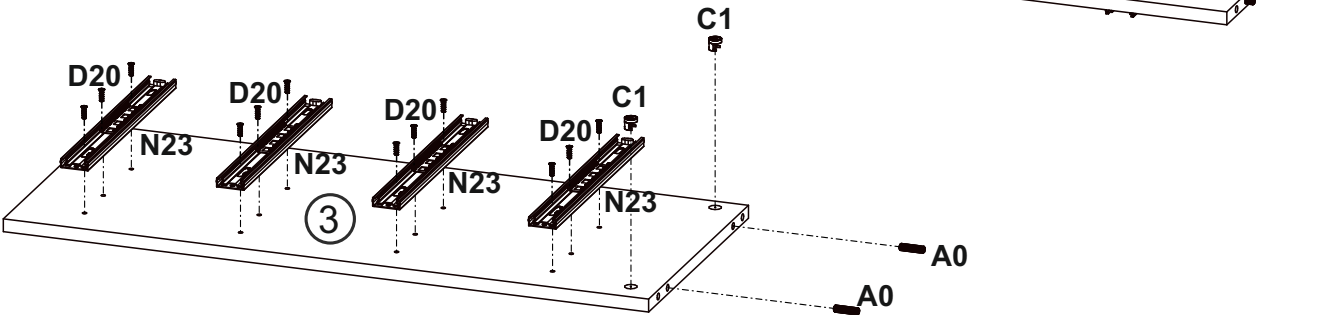
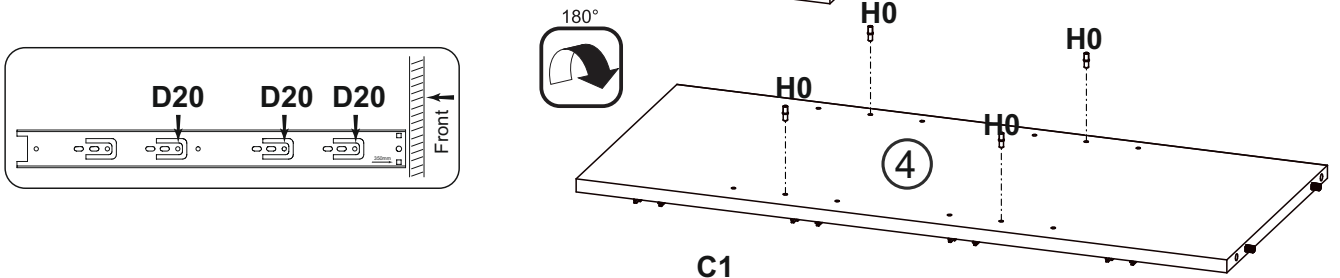
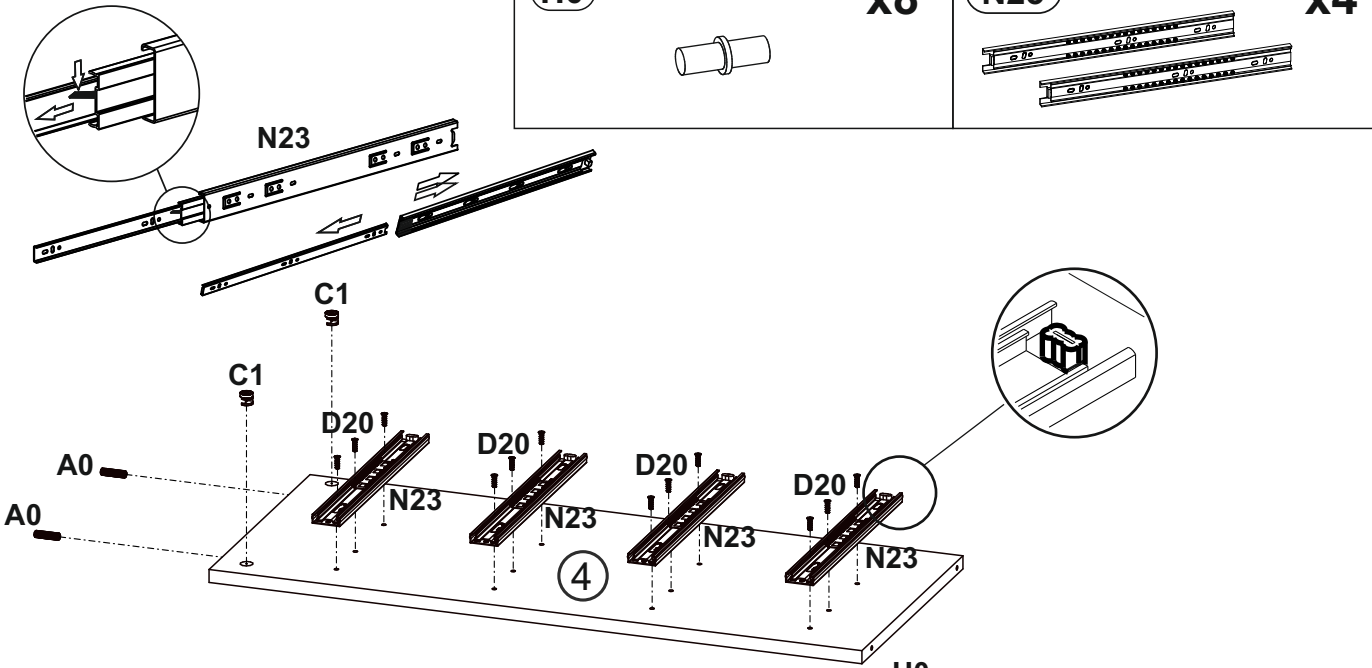
# Agnes Chest 2D/4Dr

①	872	363	16	x1	1/3
②	872	363	16	x1	1/3
③	802.5	341	16	x1	1/3
④	802.5	341	16	x1	1/3
⑤	774	431	16	x1	1/3
⑥	774	431	16	x1	1/3
⑦	1408	362.5	16	x1	2/3
⑧	479	333	16	x4	2/3
⑨	300	120	16	x4	2/3
⑩	300	120	16	x4	2/3
⑪	359	116	16	x4	2/3
⑫	1301	70	18	x1	2/3
⑬	1474	393	40	x1	2/3
⑭	130	70	16	x2	3/3


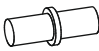
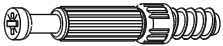
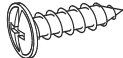
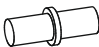

⑮	130	70	16	x2	3/3
⑯	140	80	16	x2	3/3
⑰	140	80	16	x2	3/3
⑱	192	431	16	x1	3/3
⑲	192	431	16	x1	2/3
⑳	192	431	16	x1	2/3
㉑	848	70	18	x1	2/3
㉒	848	70	18	x1	2/3
㉓	192	431	18	x1	2/3
㉔	812	491	3	x2	2/3
㉕	812	431	3	x1	2/3
㉖	369	294	3	x4	2/3
					1/3

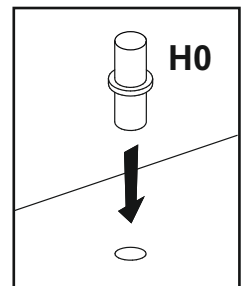
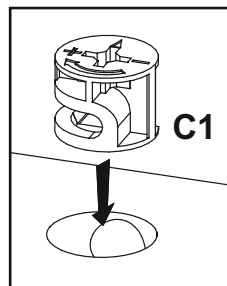
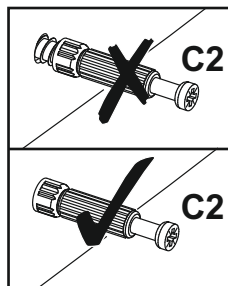
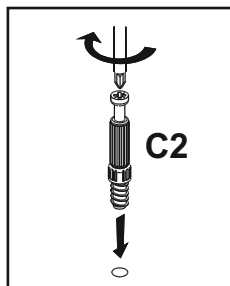
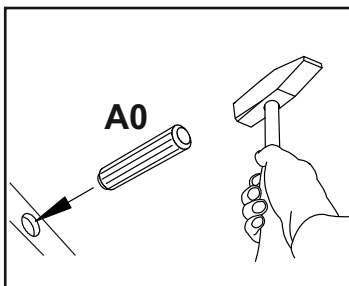
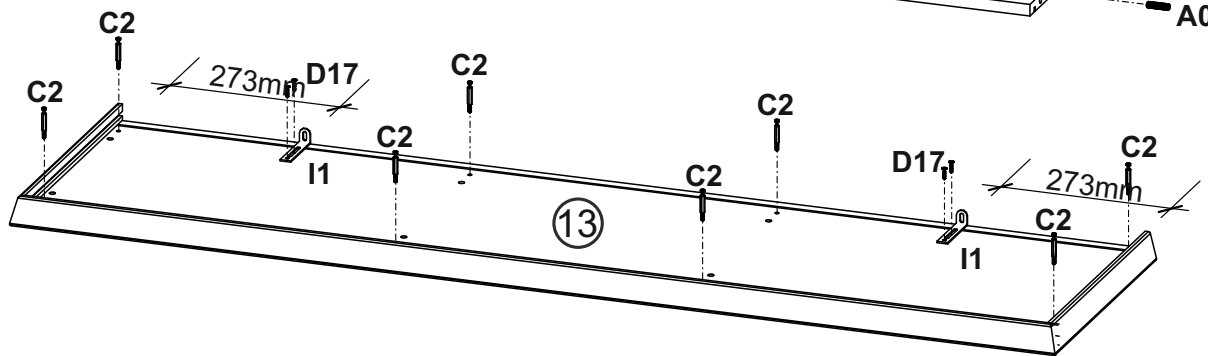
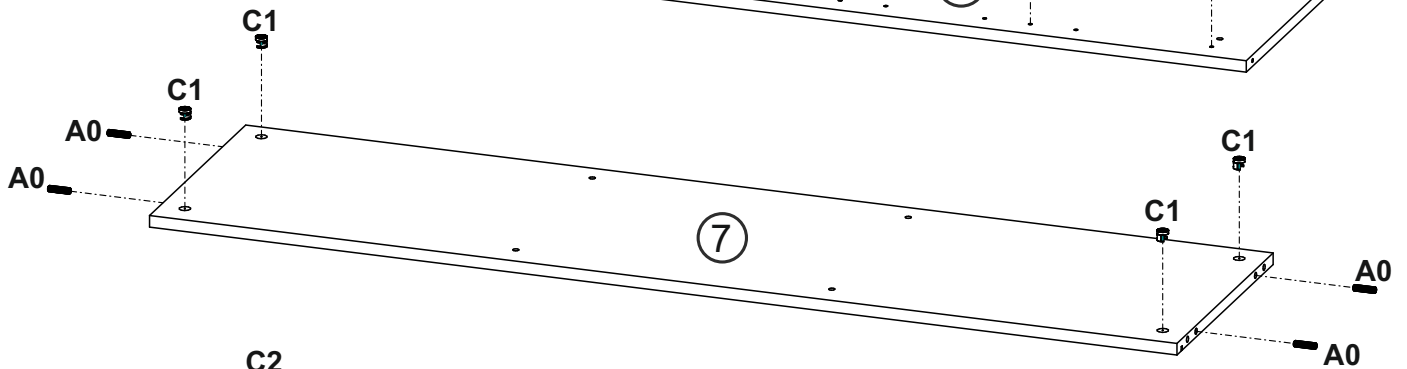
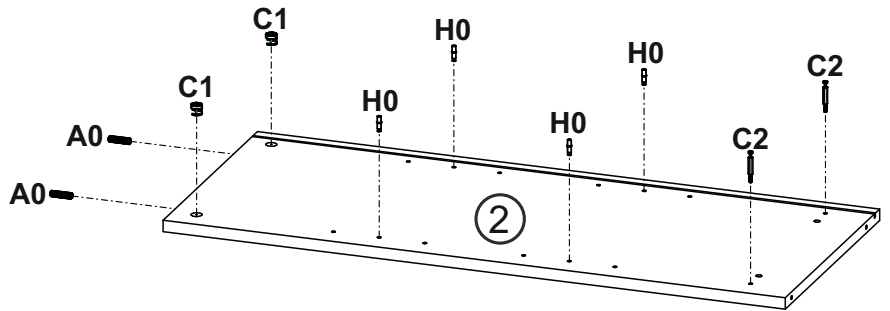
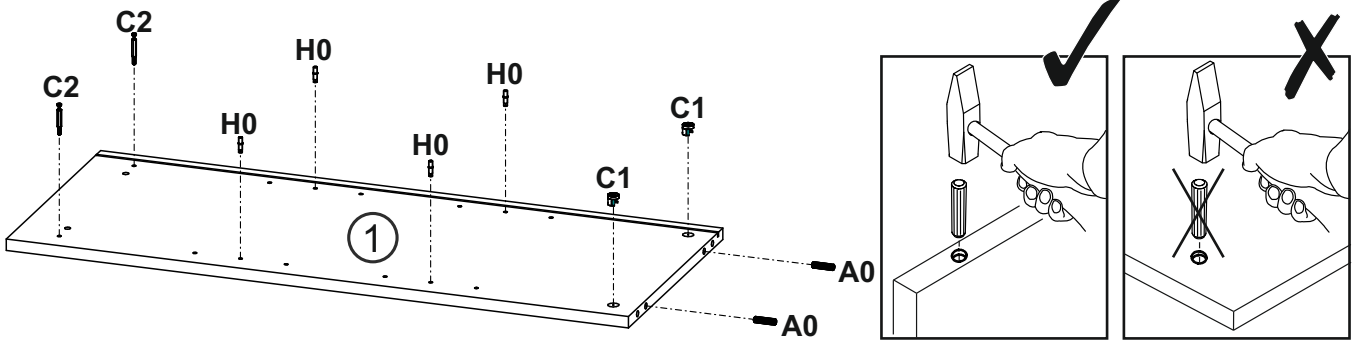


<b>1</b>	<b>A0</b> 8 x 30mm <b>x4</b>	<b>C1</b> <b>x4</b>	<b>D20</b> 5 x 13 mm <b>x24</b>
		16mm 	
	<b>H0</b> <b>x8</b>	<b>N23</b> L-300 <b>x4</b>	
			

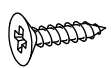
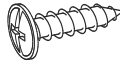

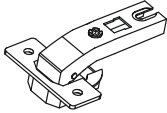
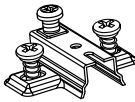


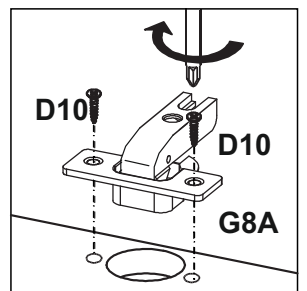
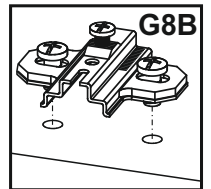
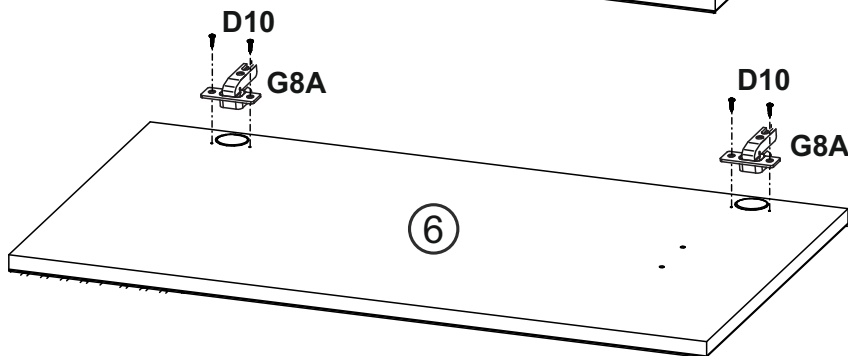
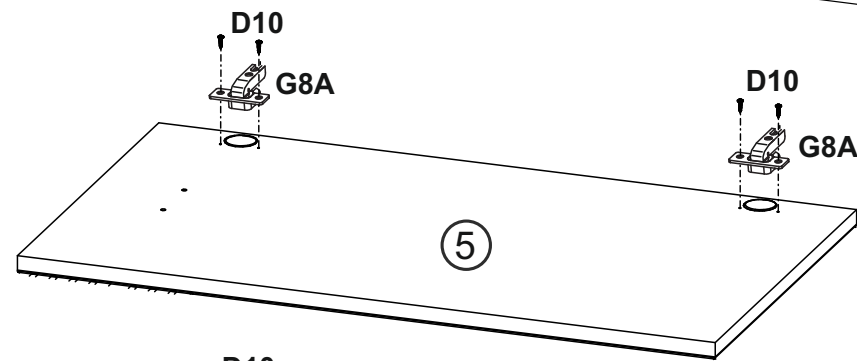
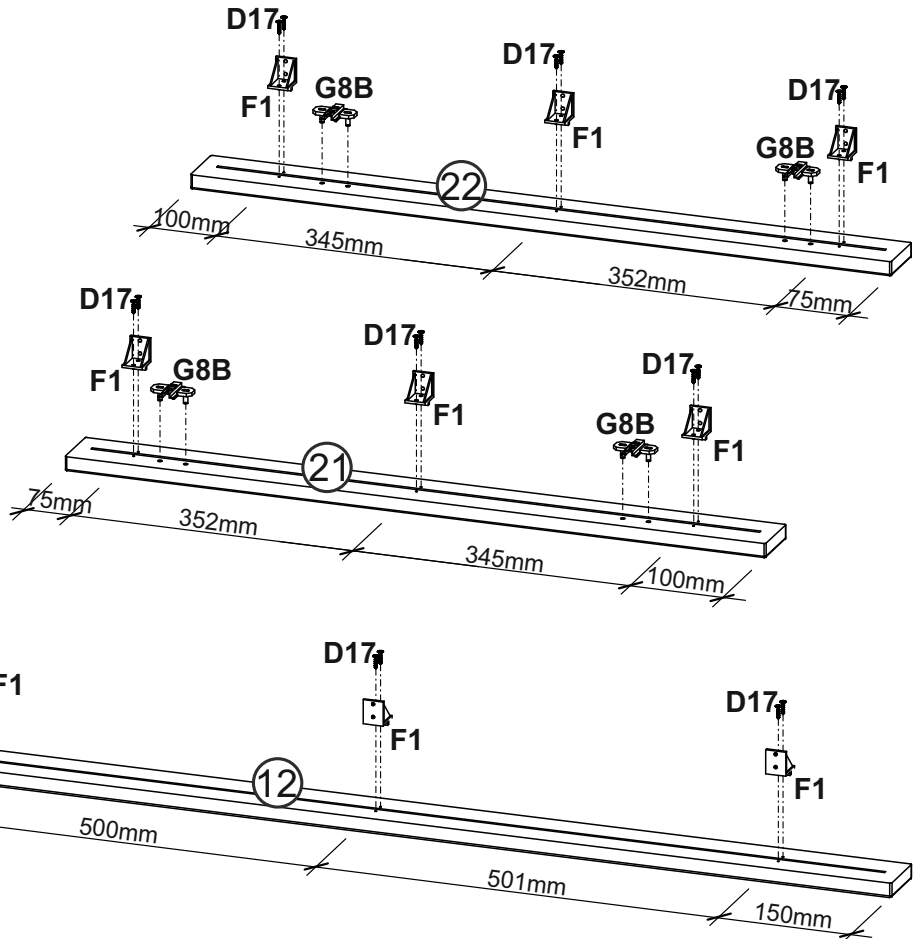
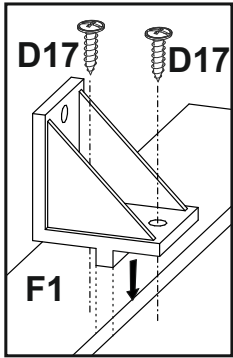
# 2

<b>A0</b> 8 x 30mm 	<b>x8</b>	<b>C1</b> 16mm 	<b>x8</b>	<b>C2</b> 	<b>x12</b>
<b>D17</b> 3,5 x 16 mm 	<b>x4</b>	<b>H0</b> 	<b>x8</b>	<b>I1</b> 	<b>x2</b>

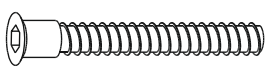

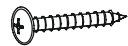
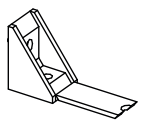

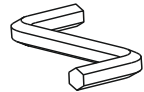


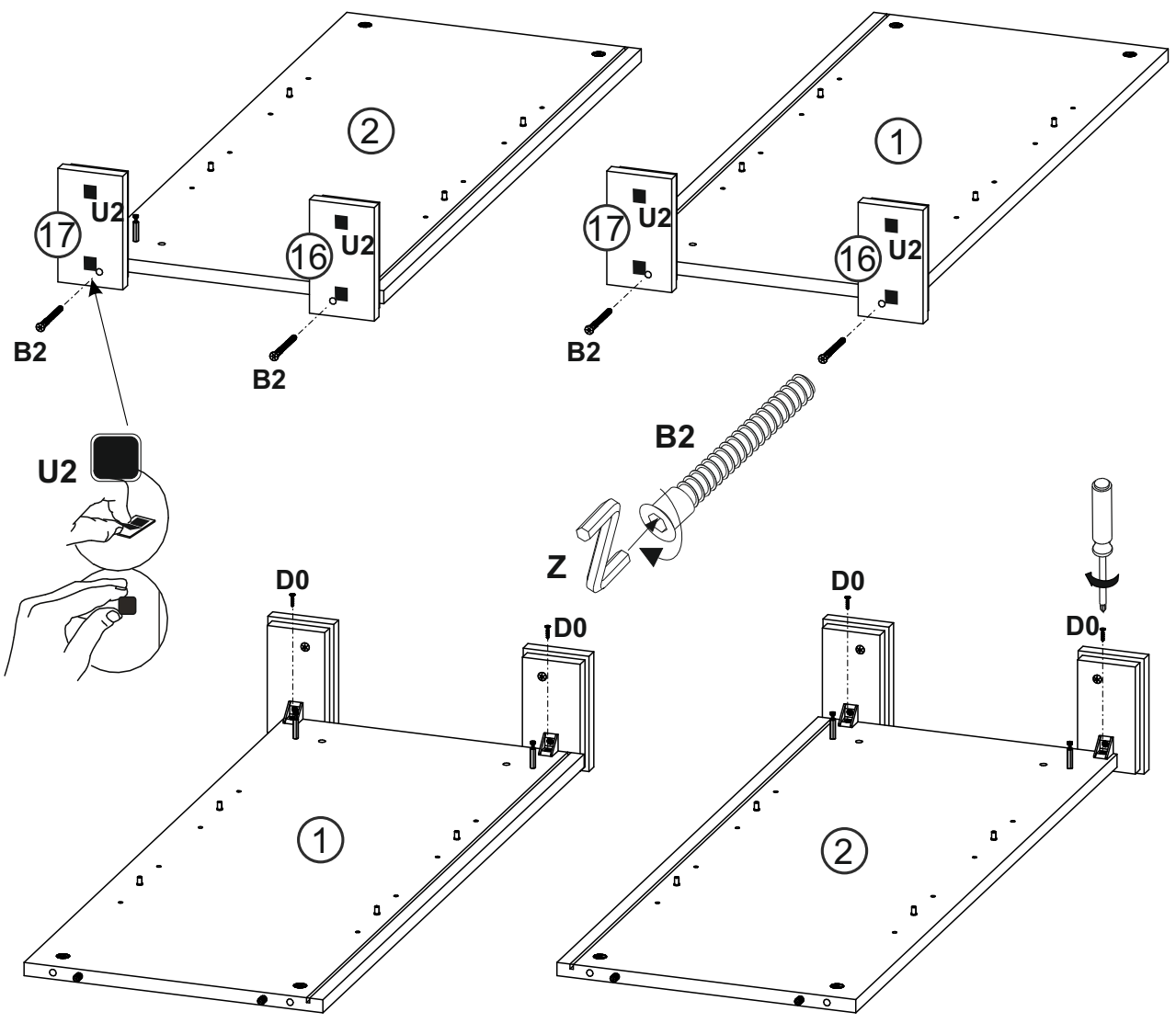
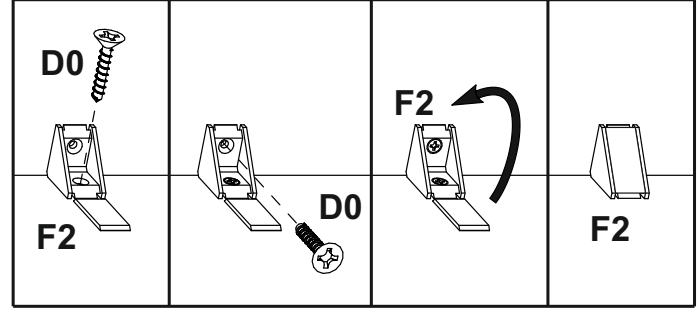
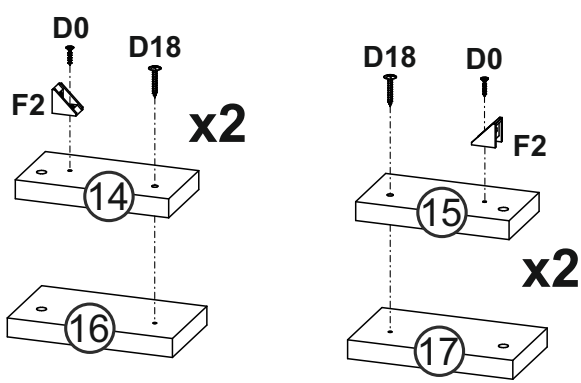
# 3

<b>D10</b> 4 x 16 mm <b>x8</b> 	<b>D17</b> 3,5 x 16 mm <b>x18</b> 	<b>F1</b> <b>x9</b> 
<b>G8A</b> <b>x4</b> 	<b>G8B</b> <b>x4</b> 	







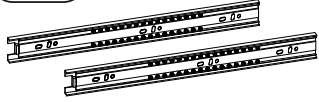


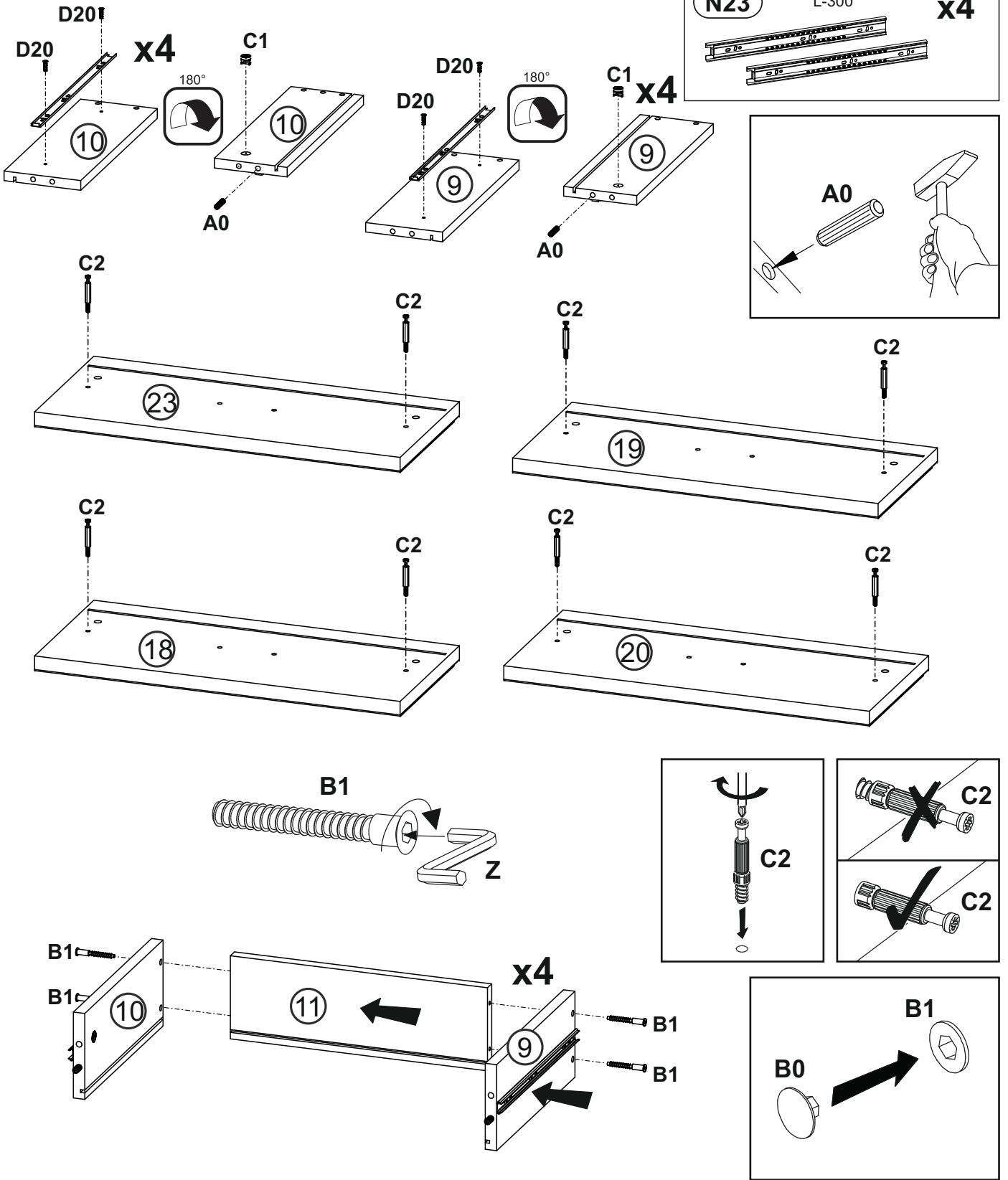
# 4

<b>(B2)</b> 7 x 70 mm  <b>x4</b>	<b>(D0)</b> 3 x 15 mm  <b>x8</b>	<b>(D18)</b>  4.2 x 30 mm <b>x4</b>
<b>(F2)</b>  <b>x4</b>	<b>(U2)</b>  <b>x8</b>	<b>(Z)</b> 4mm  <b>x1</b>



# 5

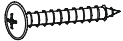
<b>A0</b> 8 x 30mm <b>x8</b> 	<b>B0</b>  <b>x16</b>	<b>B1</b> 6.4x 50 mm <b>x16</b> 
<b>C1</b>  16mm <b>x8</b>	<b>C2</b>  <b>x8</b>	<b>D20</b> 5 x 13 mm <b>x16</b> 
		<b>N23</b> L-300 <b>x4</b> 





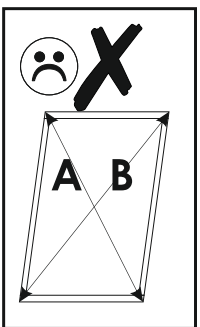
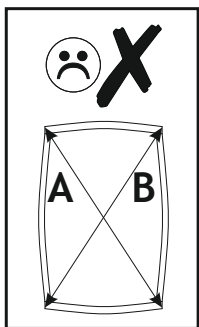
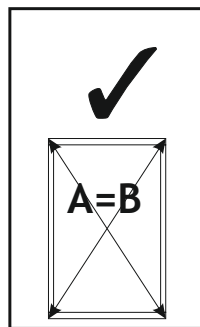
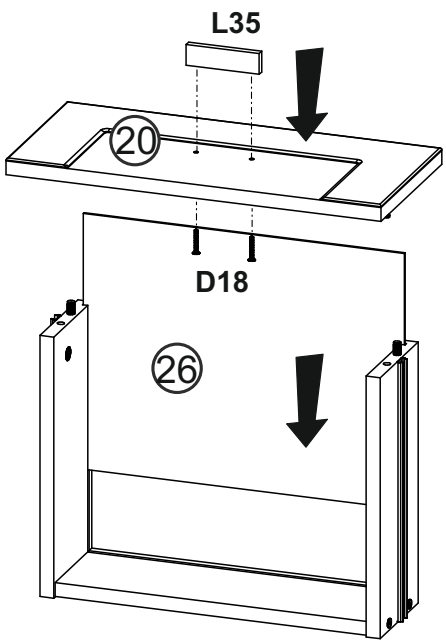
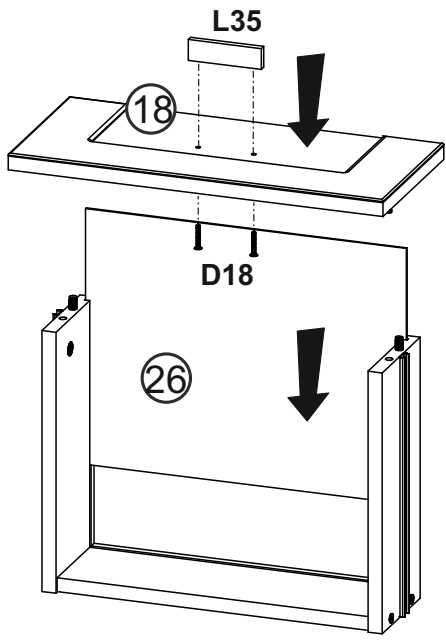
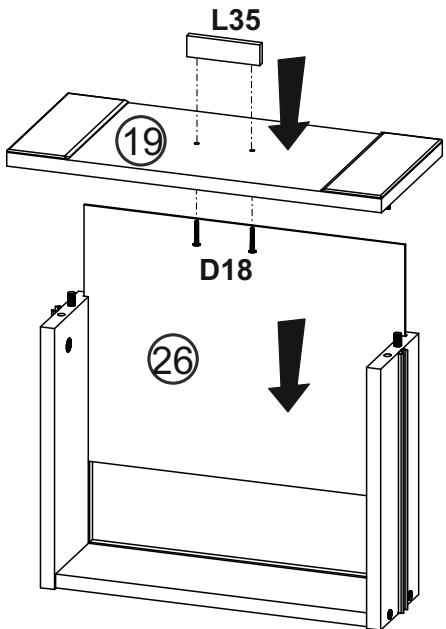
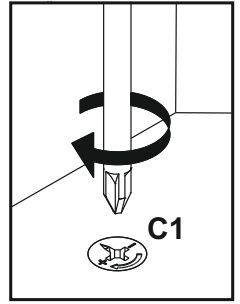
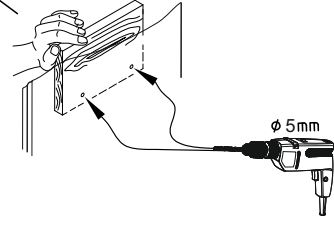
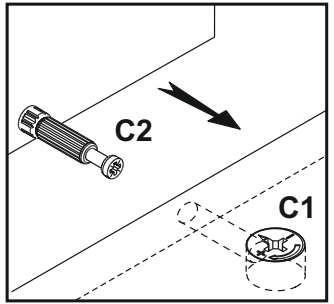
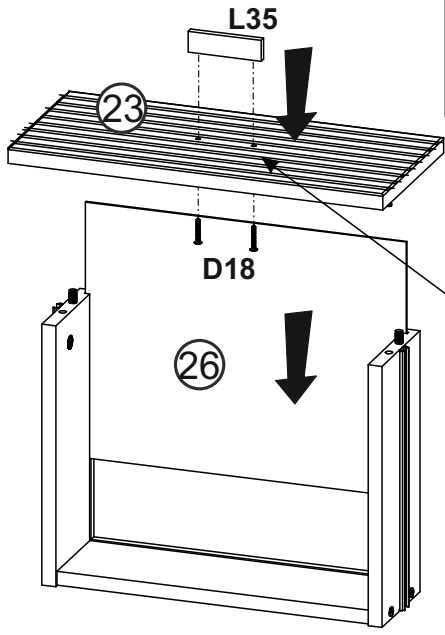
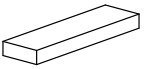
# 6

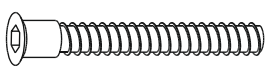

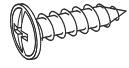
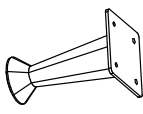
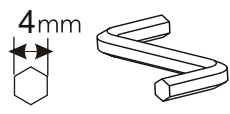
**D18** **x8**

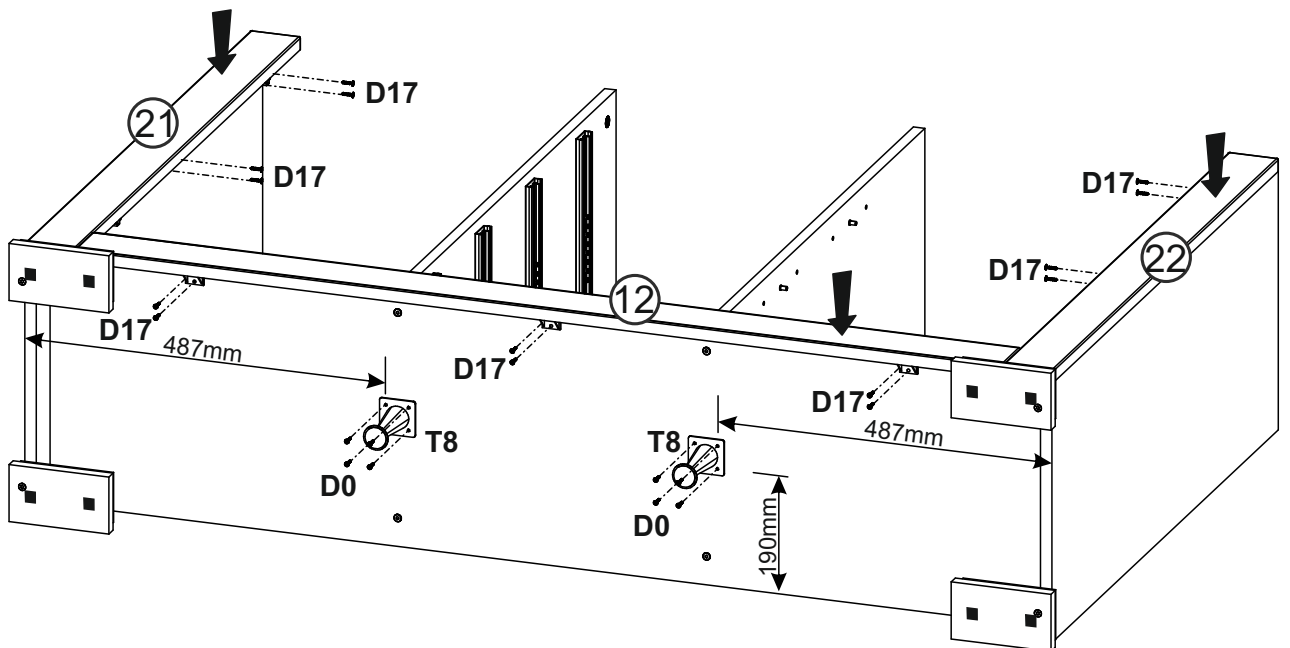
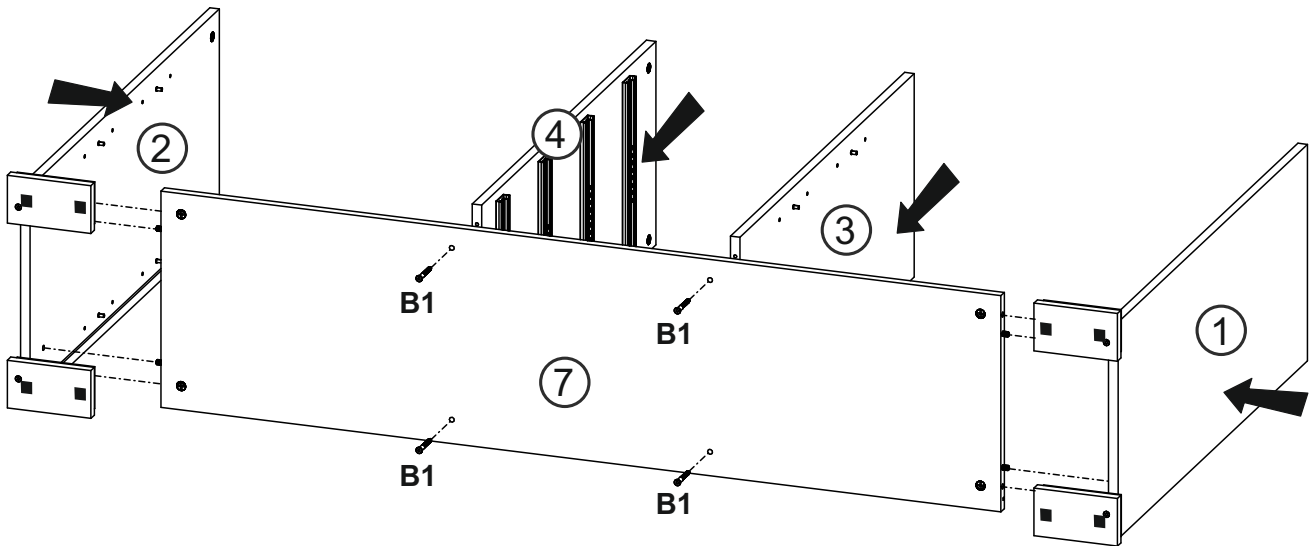
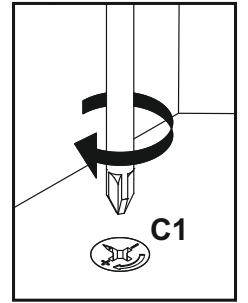
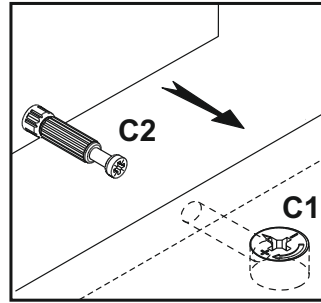
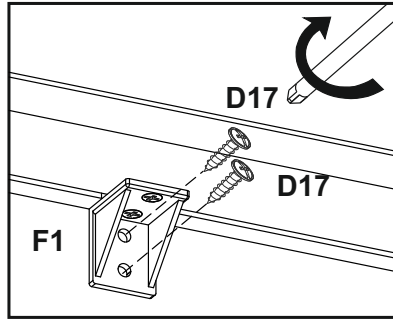


4.2 x 30 mm

**L35** **x4**



<b>7</b> <b>(B1)</b> 6.4x 50 mm <b>x4</b> 	<b>(D0)</b> 3 x 15 mm <b>x8</b> 	<b>(D17)</b> 3,5 x 16 mm <b>x18</b> 
<b>(T8)</b> <b>x2</b> 		<b>(Z)</b> 4mm <b>x1</b> 



# 8

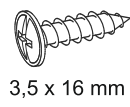
**D0**

3 x 15 mm

**x18**



**D17**



**x6**

**F0**

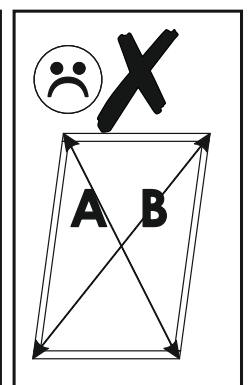
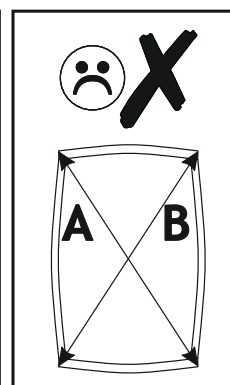
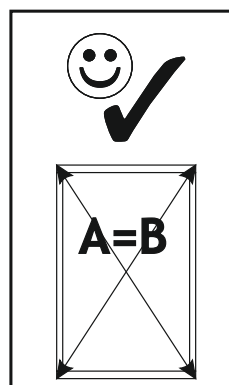
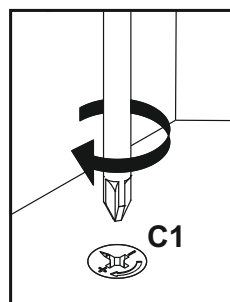
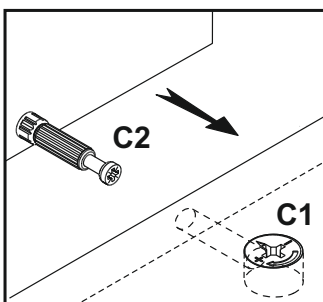
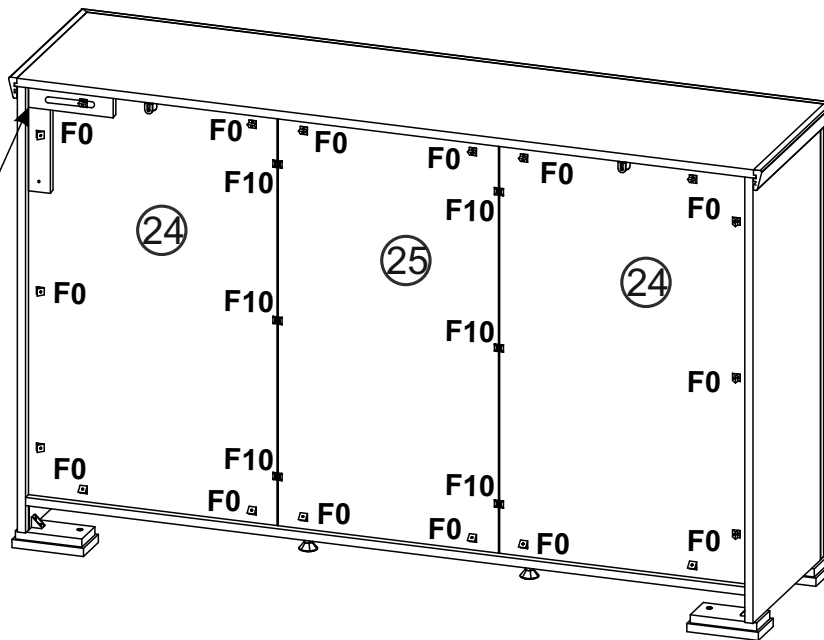
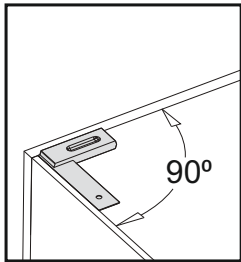
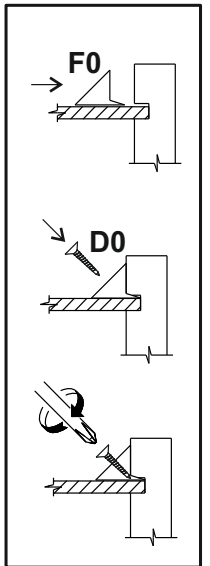
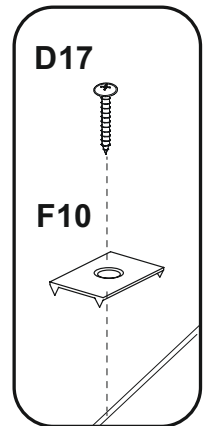
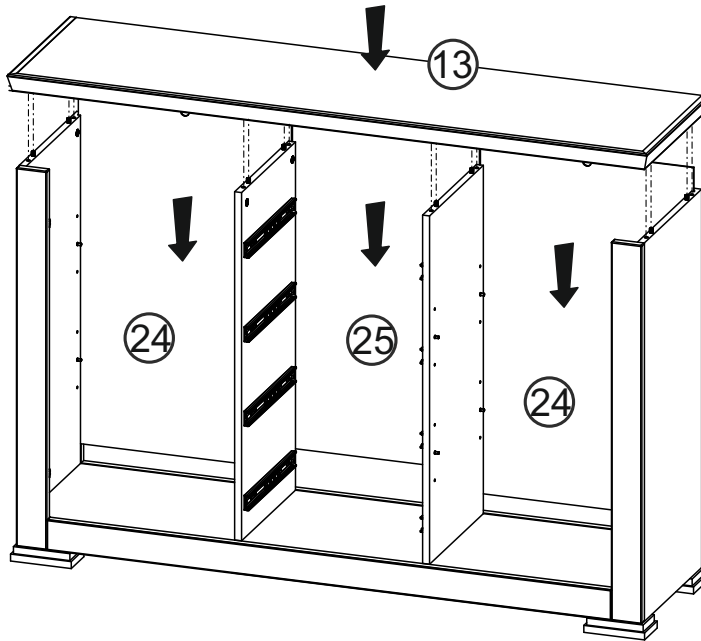


**x18**

**F10**



**x6**



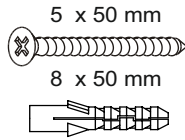
# 9

**C0**

**x8**



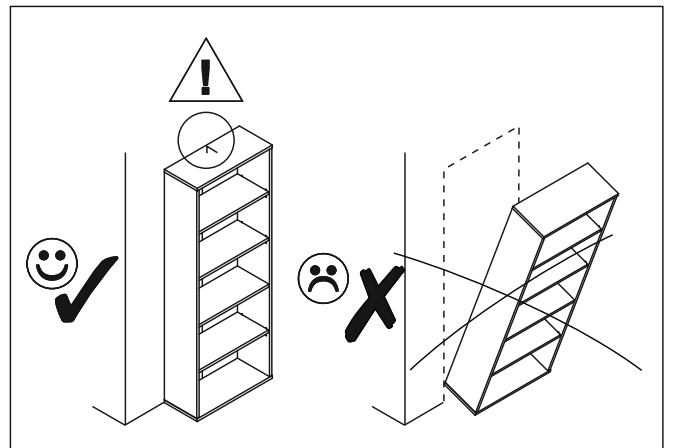
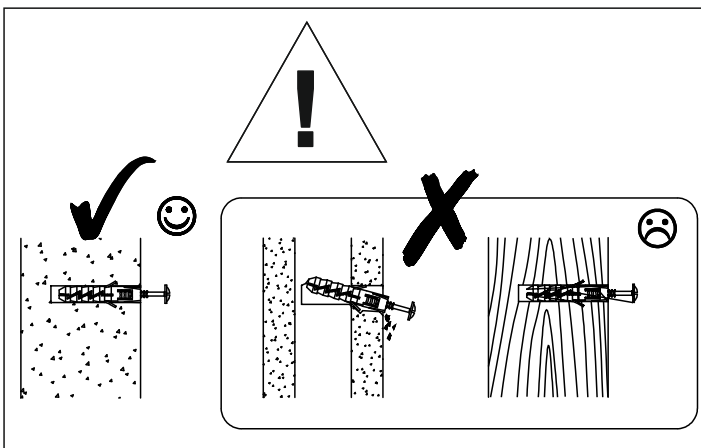
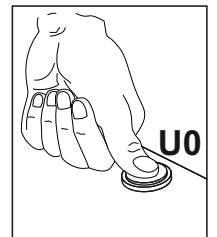
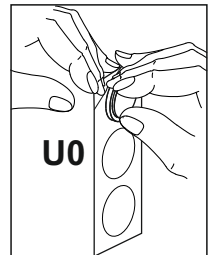
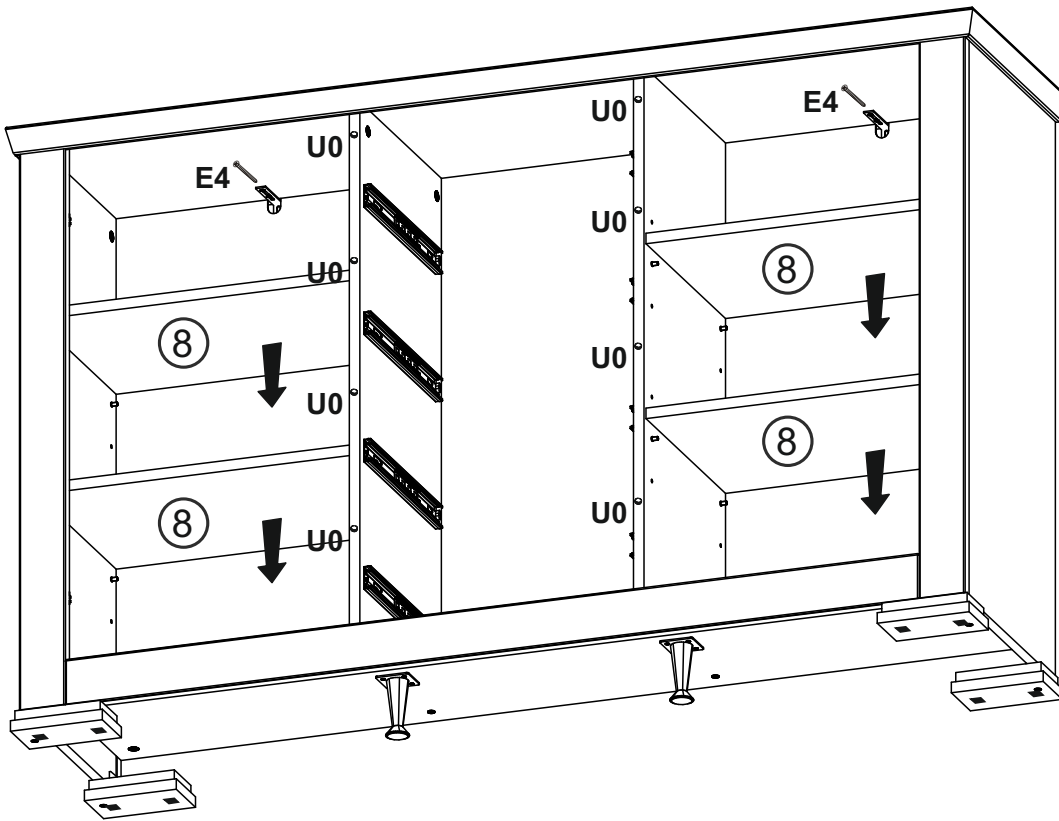
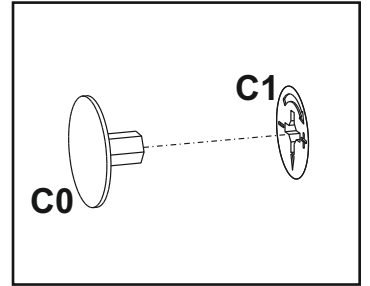
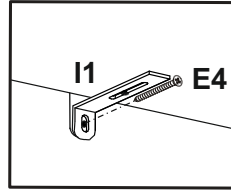
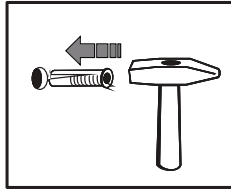
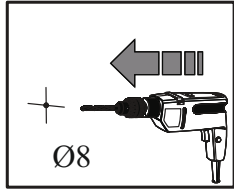
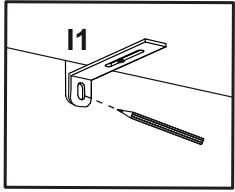
**E4**



**x2**

**U0**

**x8**



# 10

**C0**



**x8**

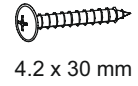
**D0**

3 x 15 mm



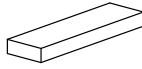
**x16**

**D18**



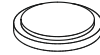
**x4**

**L35**



**x2**

**U0**



**x4**

