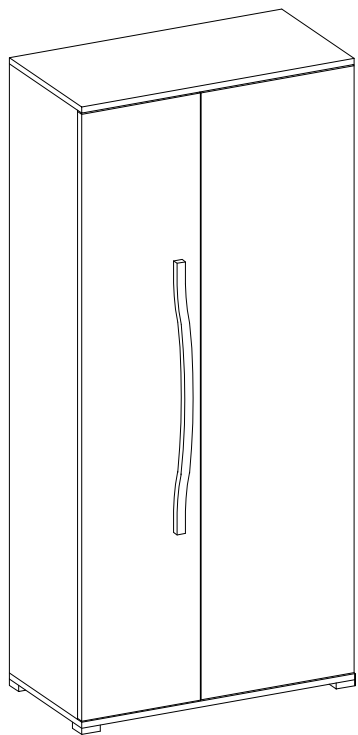
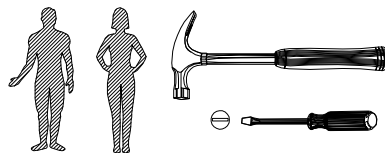


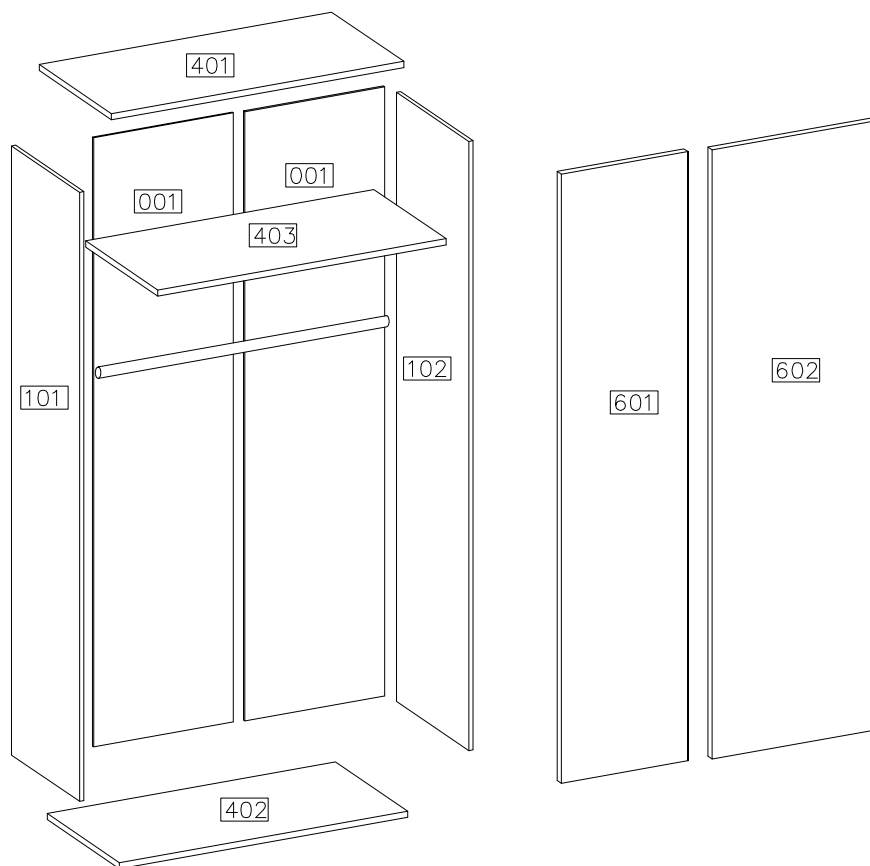
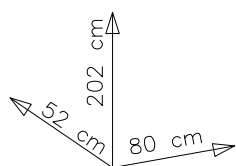
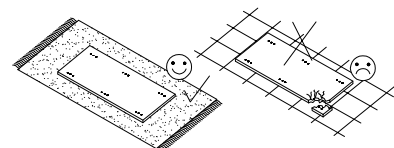
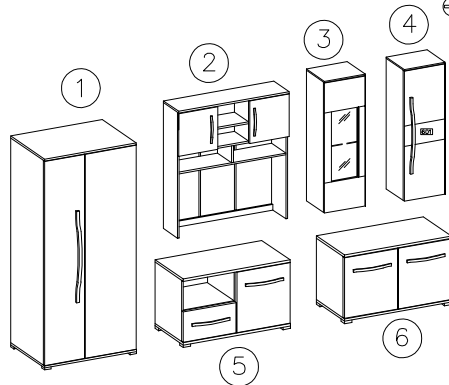
MODENA SZAFKA



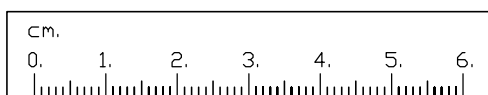
1



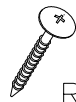
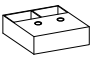
#	ART. NR	QUANTITY
1	401	1
2	402	1
3	403	1
4	101	1
5	102	1
6	001	2
7	601	1
8	602	1

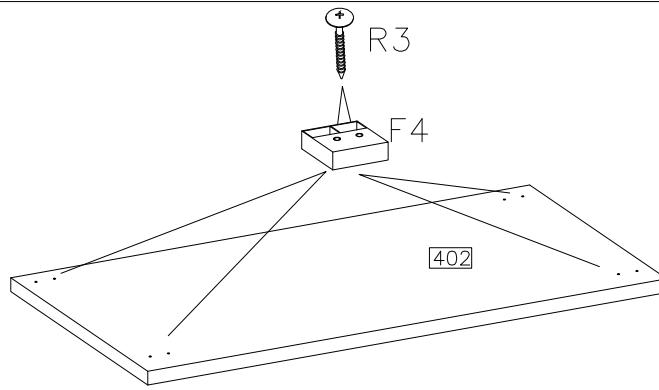


12	12	16	12	8	4	60	1	4
1	2	1	16	6	6			



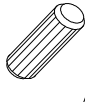


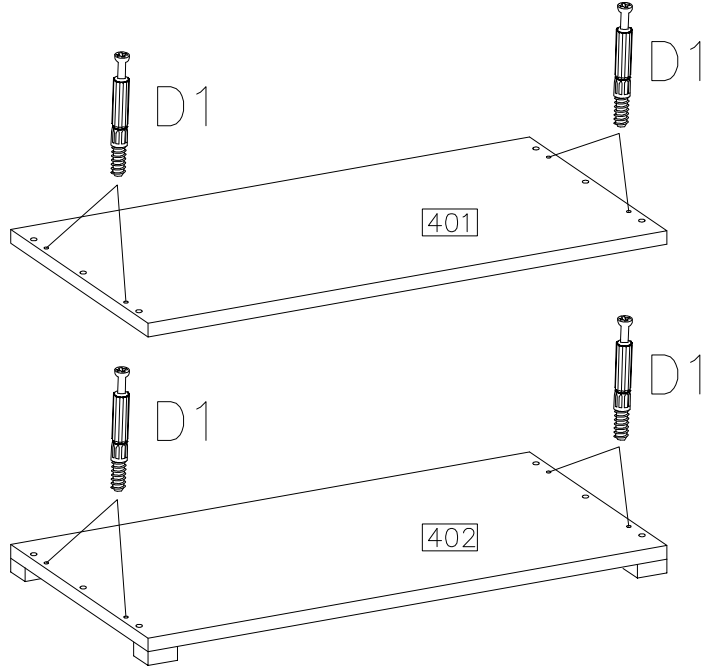
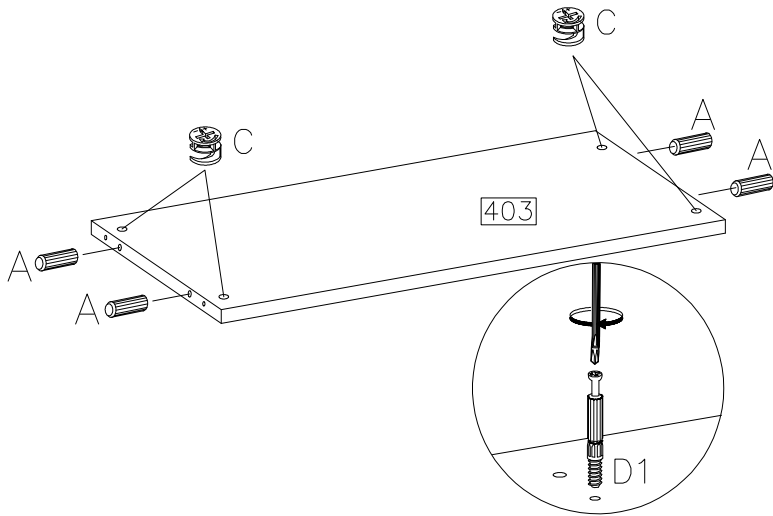
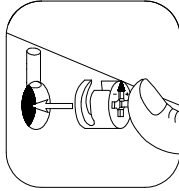
1

4.0x35mm  R3 8	 F4 4
---	---


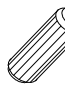



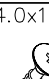


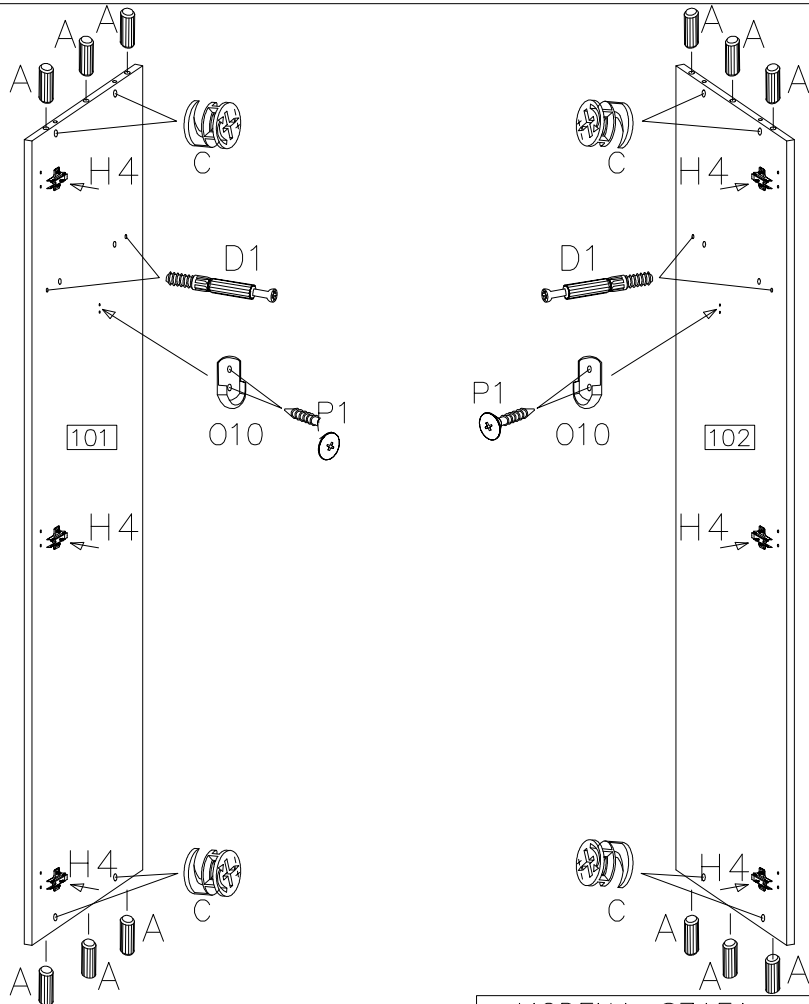
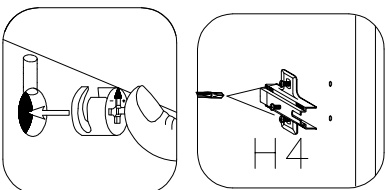
2

 D1 8	$\varnothing 15/12\text{mm}$  C 4	$\varnothing 8 \times 30\text{mm}$  A 4
--	---	---

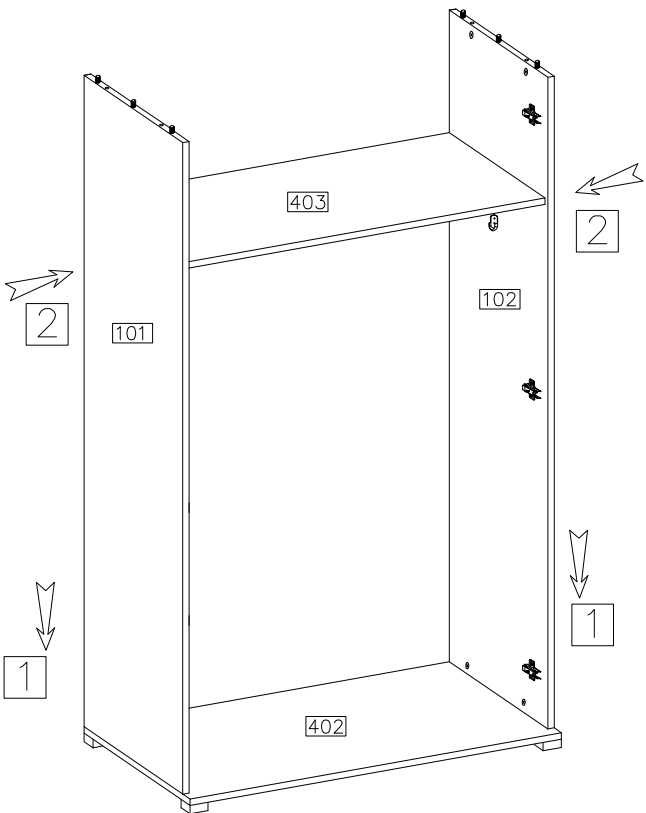
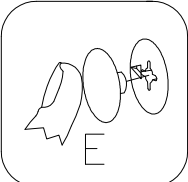
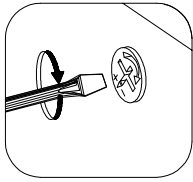
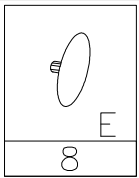


3

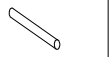
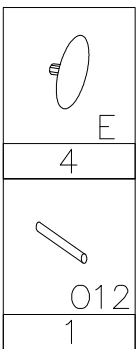
 D1 4	$\varnothing 8 \times 30\text{mm}$  A 12
 O10 2	H=0  H4 6
$\varnothing 15/12\text{mm}$  C 8	$\varnothing 4.0 \times 16\text{mm}$  P1 4



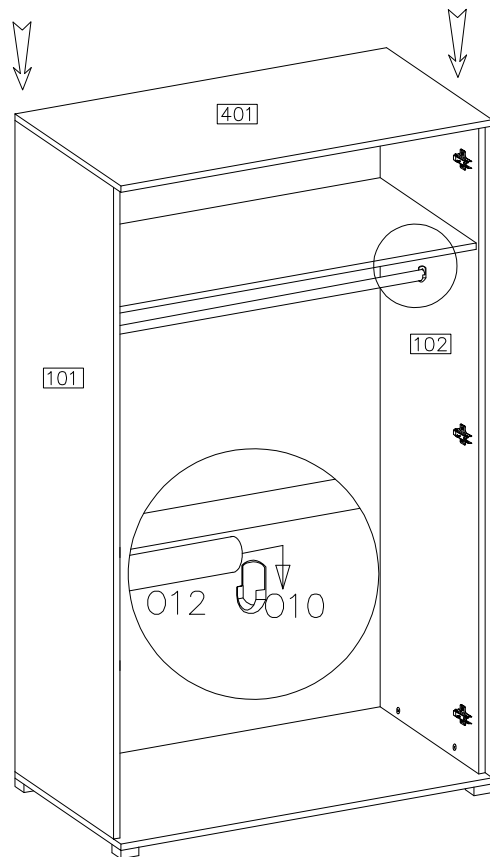
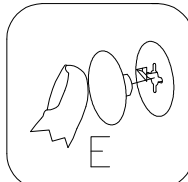
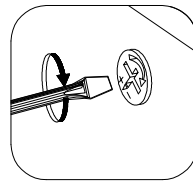
4



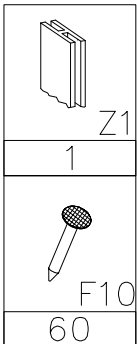
5



1



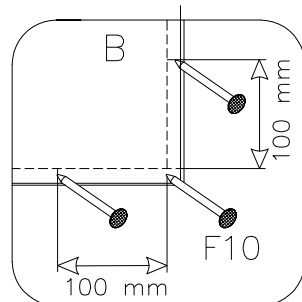
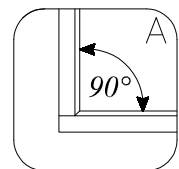
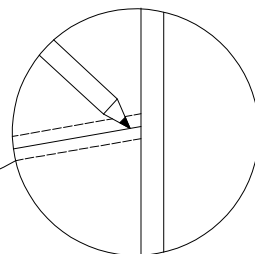
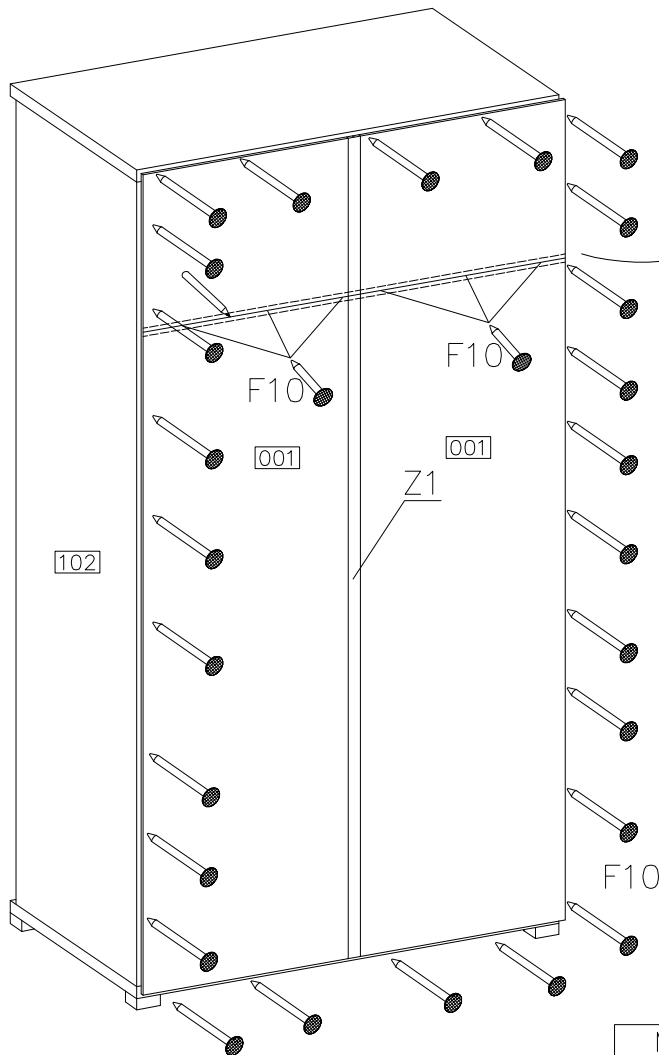
6



1

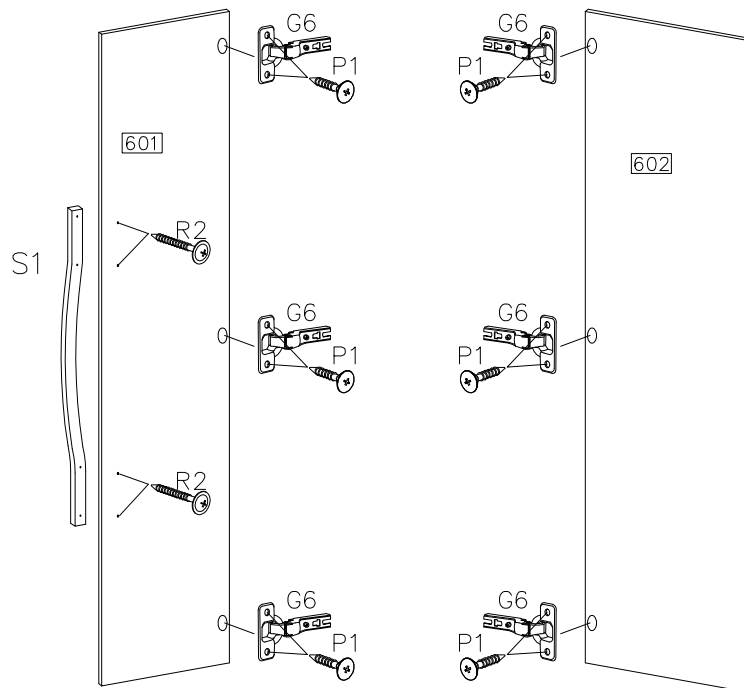


60



7

4.0x27mm R2	ø35/kR-0 G6
4	6
S1	P1
1	12



8

