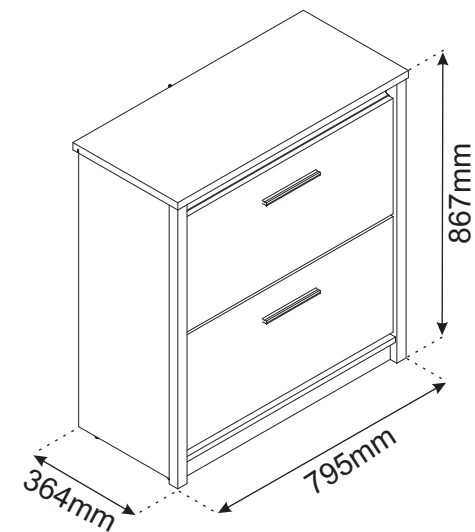
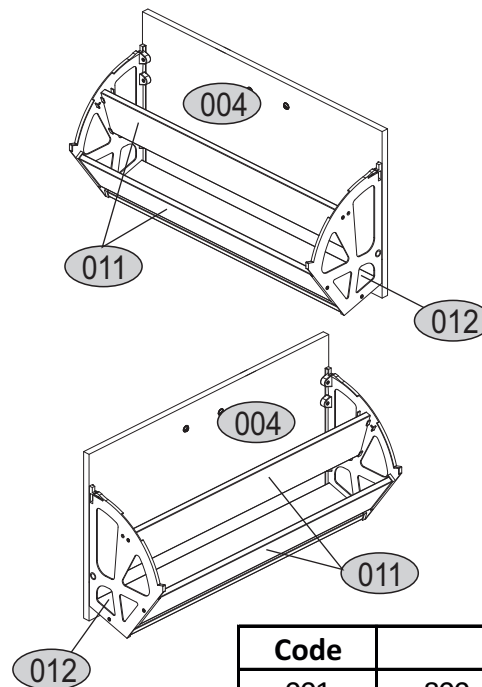
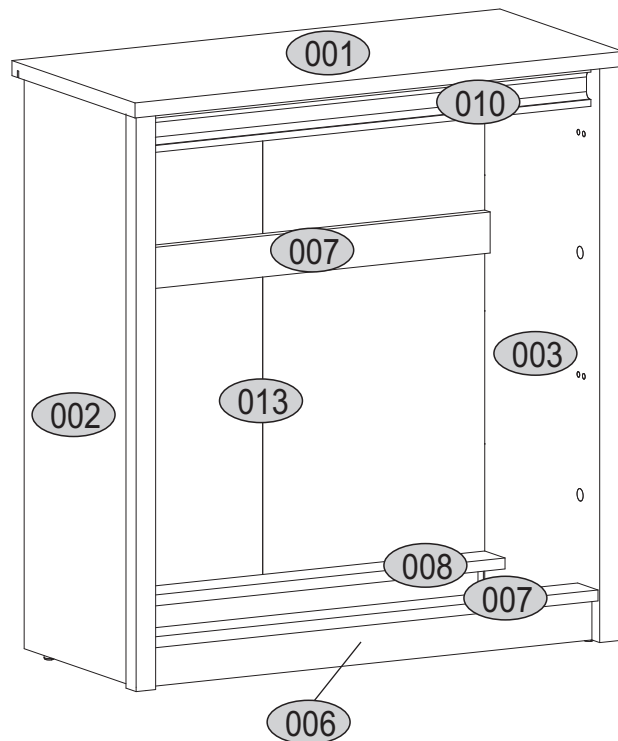
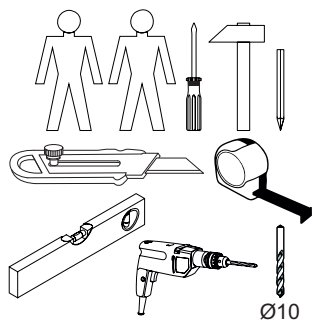
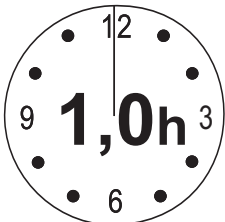
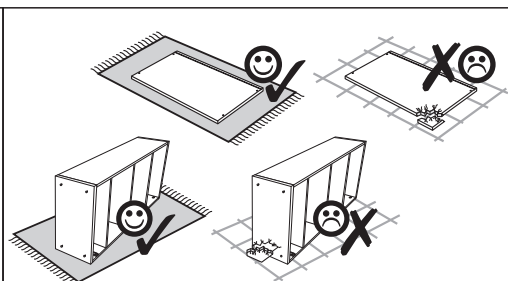
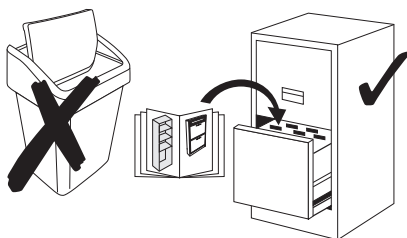


# Installation manual



## AYSON Szafka na buty 2K

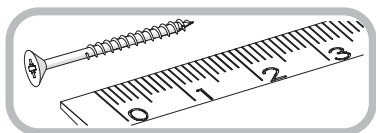


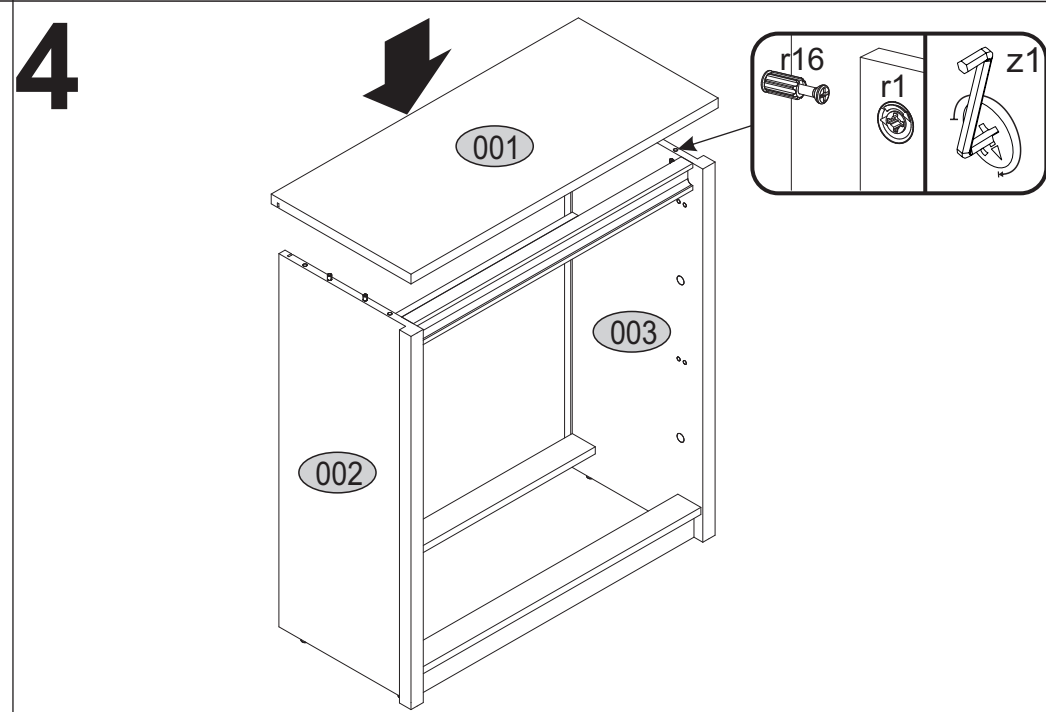
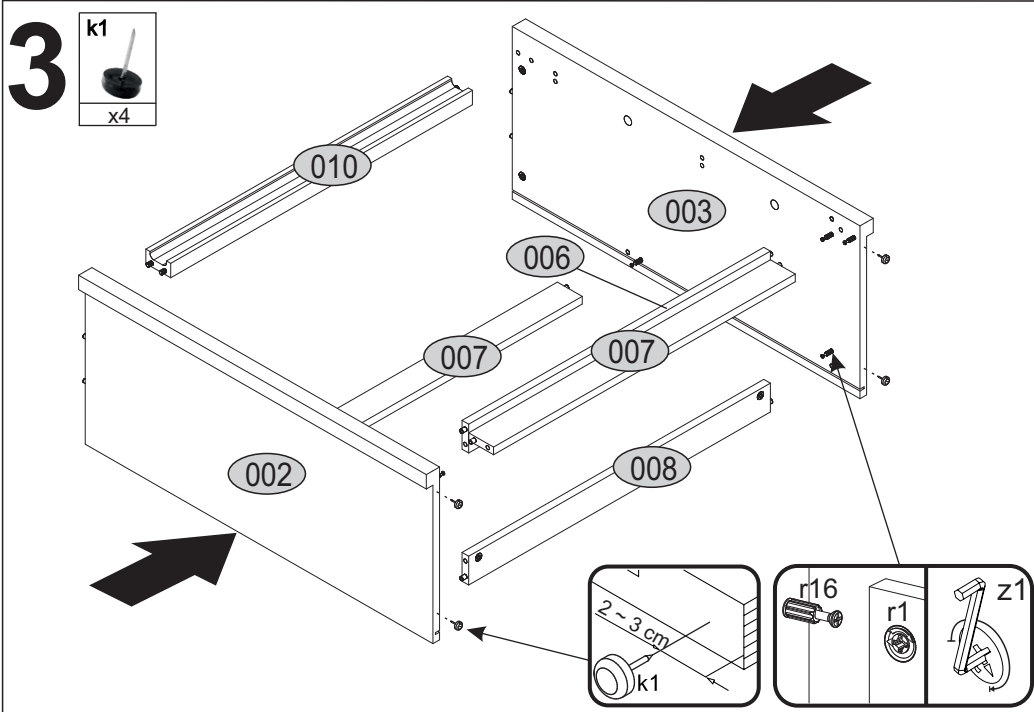
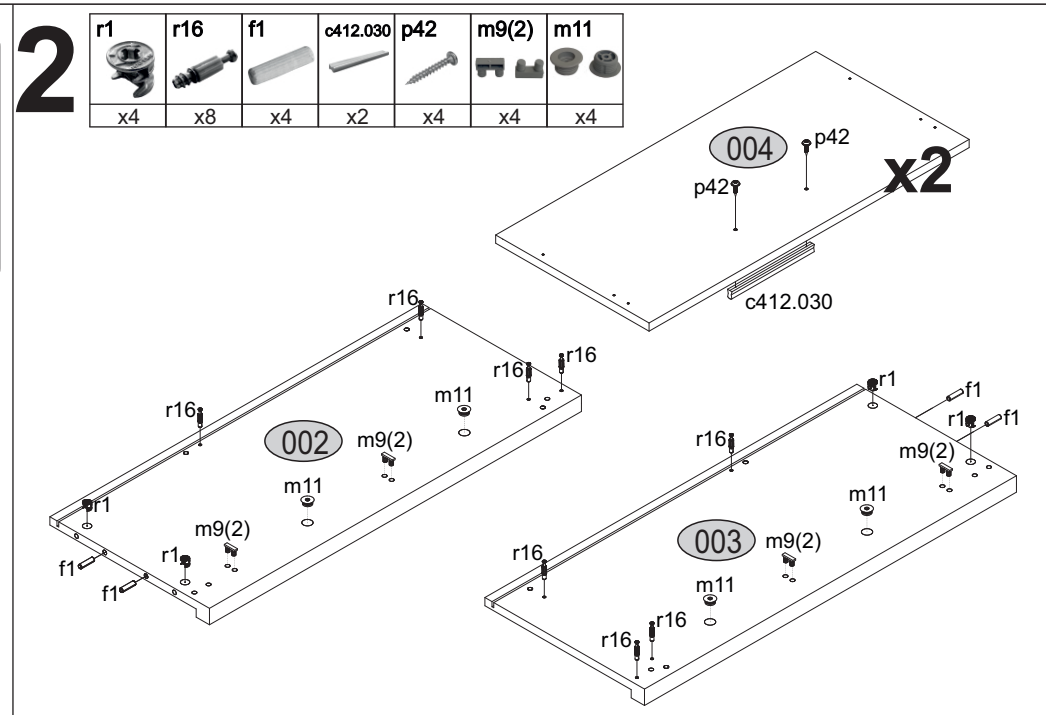
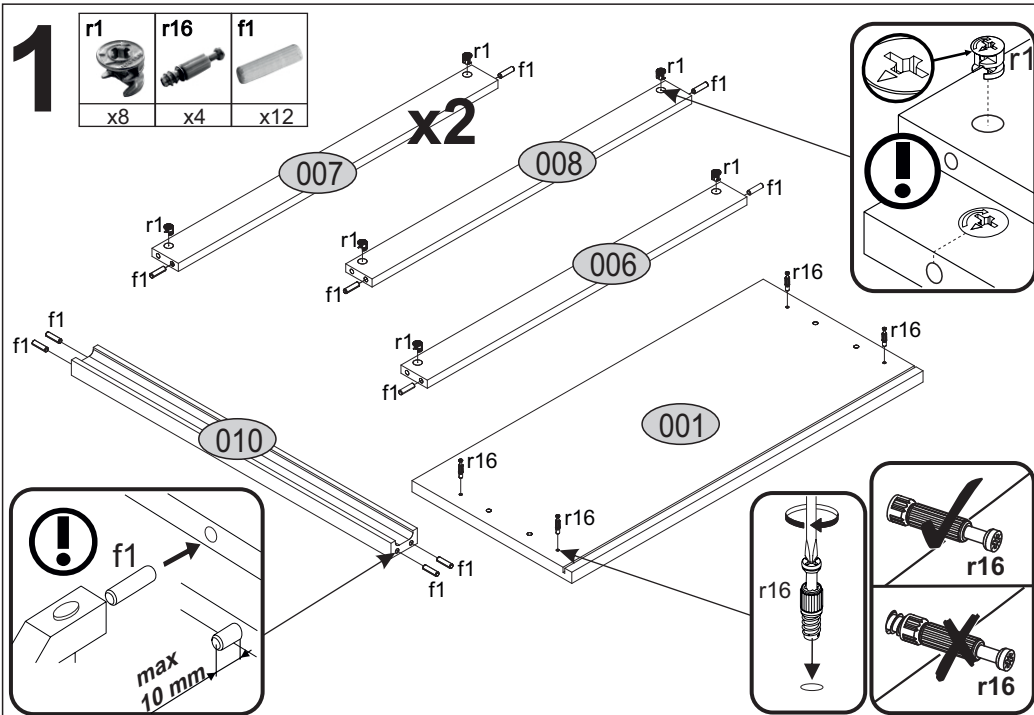
Code	Dimensions				Package
001	800	364	22	1	1/2
002	839	360	16/32	1	1/2
003	839	360	16/32	1	1/2
004	722	346	16	2	1/2
006	728	60	16	1	1/2
007	728	60	16	2	1/2
008	728	60	16	1	1/2
010	728	60	30	1	1/2
011	718	140	10	4	1/2
012	718	85	10	2	1/2
013	786	373	2,5	2	1/2
<b>Accessories</b>				1	2/2



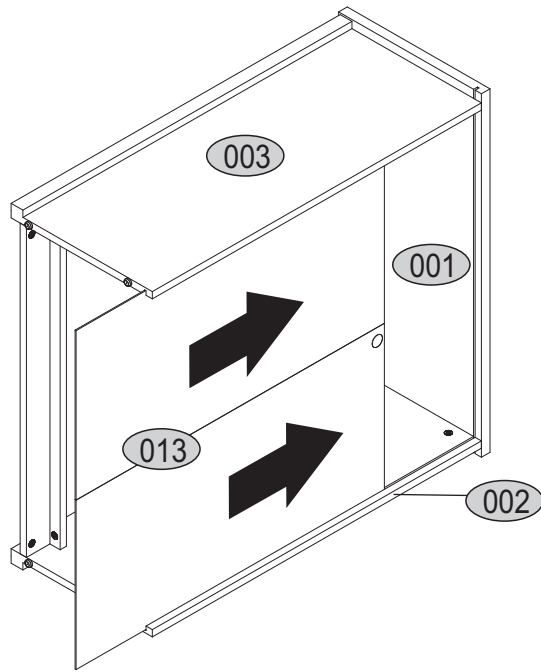
# Accessories:

<p>2x c412.030</p> 	<p>16x f1 Ø8x30</p> 	<p>1x f3</p> 	<p>4x k1</p> 
<p>1x n14</p> 	<p>1x n260.01</p> 	<p>1x p17 Ø6x50</p> 	<p>21x p25 Ø3.5x16</p> 
<p>2x m9</p> 	<p>4x m9(2)</p> 	<p>4x m11</p> 	<p>4x m10</p> 
<p>4x p42</p> 	<p>12x p52</p> 	<p>12x r1 15x12</p> 	<p>12x r16 Ø5x24</p> 
<p>6x l2</p> 	<p>4x j1 Ø4x20</p> 	<p>1x z1</p> 	



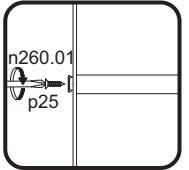
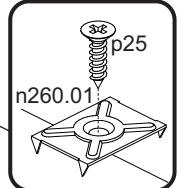
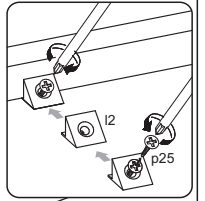
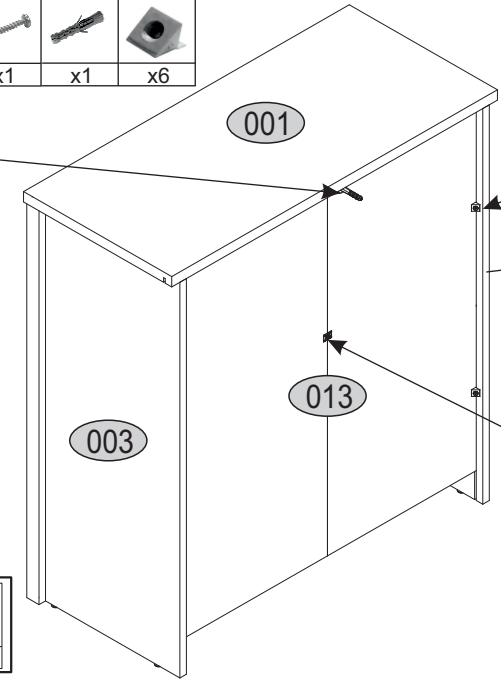
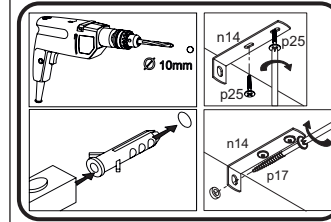


# 5



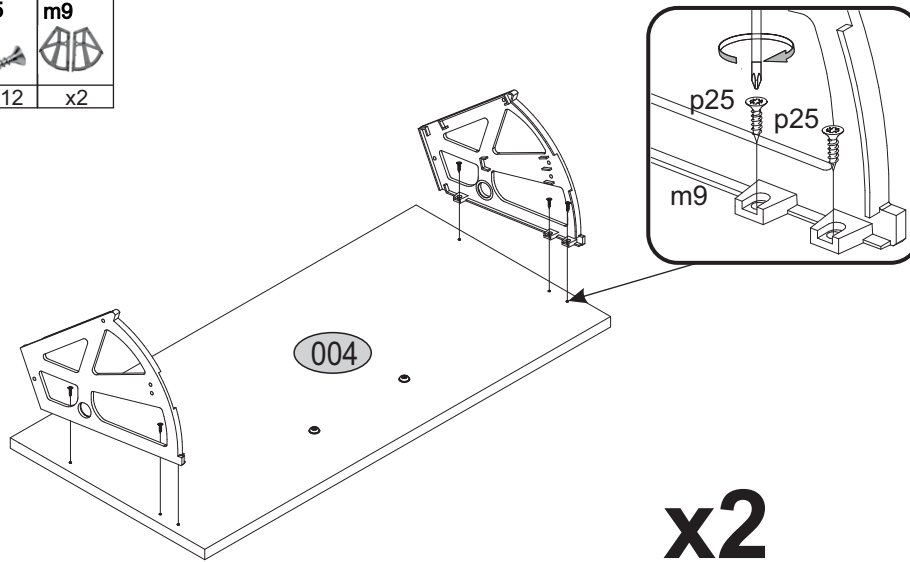
# 6

n14	p25	n260.01	p17	f3	l2
x1	x9	x1	x1	x1	x6



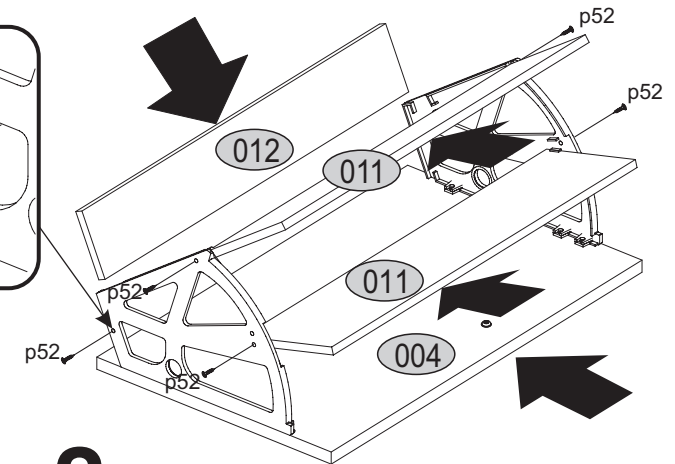
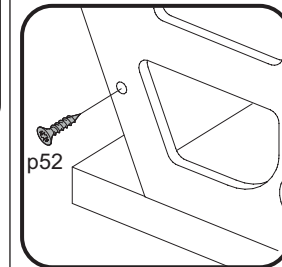
# 7

p25	m9
x12	x2





# 8

p52
x12



# 9

m10	j1
	
x4	x4

