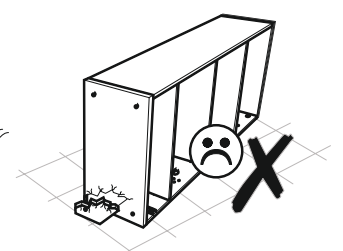
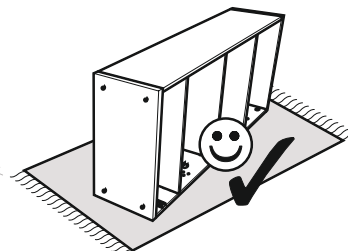
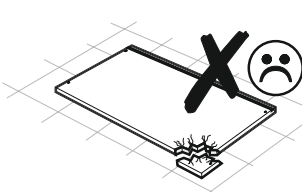
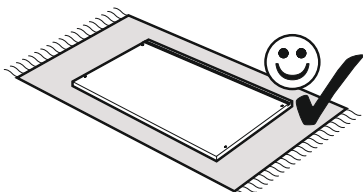
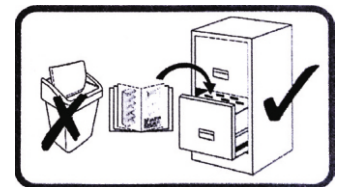
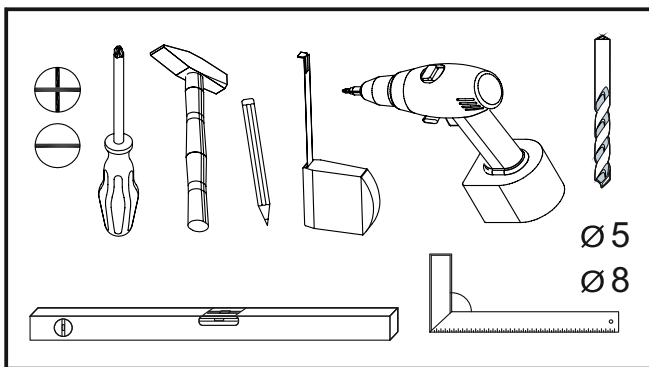
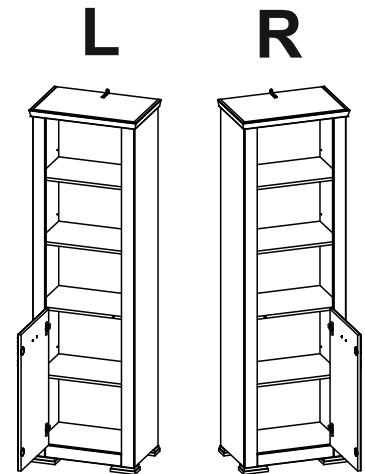
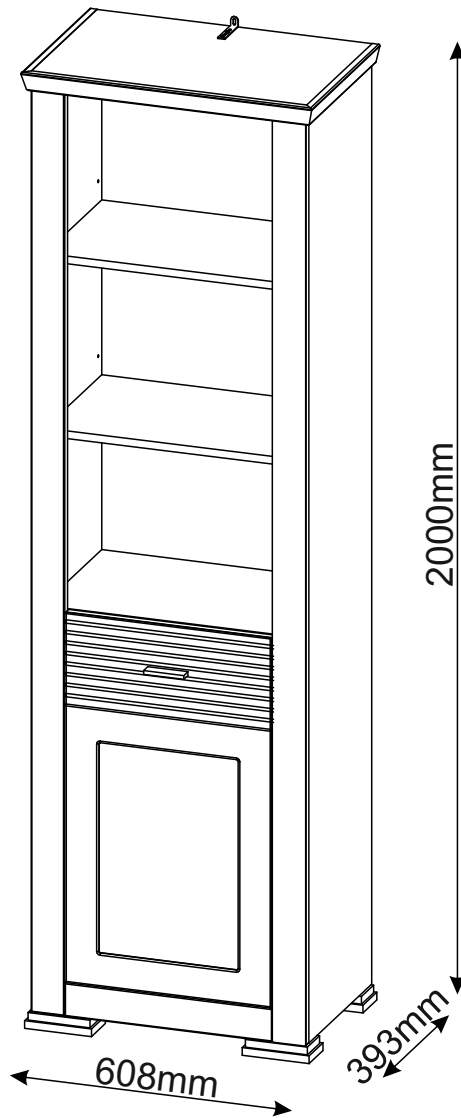
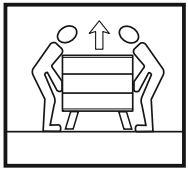
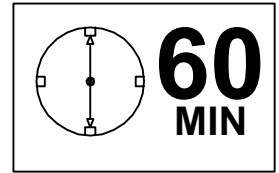
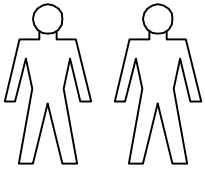



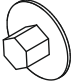



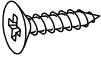
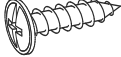
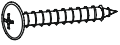
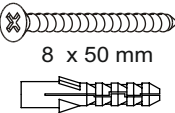

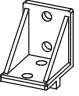
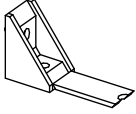
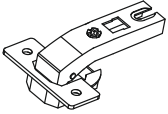
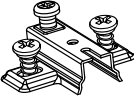


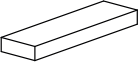



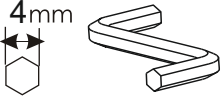
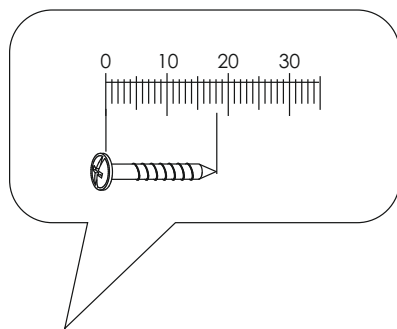


# Agnes Tall cabinet 1Dm



# Agnes Tall cabinet 1Dm


<b>A0</b> 8 x 30mm  <b>x12</b>	<b>B2</b> 7 x 70 mm  <b>x4</b>	<b>B51</b>  <b>x16</b>
<b>C0</b>  <b>x8</b>	<b>C1</b> 16mm  <b>x12</b>	<b>C2</b>  <b>x12</b>
<b>D0</b> 3 x 15 mm  <b>x22</b>	<b>D10</b> 4 x 16 mm  <b>x4</b>	<b>D17</b>  3,5 x 16 mm <b>x52</b>
<b>D18</b>  4.2 x 30 mm <b>x6</b>	<b>E4</b> 5 x 50 mm 8 x 50 mm  <b>x1</b>	<b>F0</b>  <b>x14</b>
<b>F1</b>  <b>x12</b>	<b>F2</b>  <b>x4</b>	<b>G8A</b>  <b>x2</b>
<b>G8B</b>  <b>x2</b>	<b>H0</b>  <b>x12</b>	<b>I1</b>  <b>x1</b>
<b>L35</b>  <b>x1</b>	<b>M0</b>  <b>x2</b>	<b>U0</b>  <b>x1</b>
	<b>U2</b>  <b>x8</b>	<b>Z</b> 4mm  <b>x1</b>

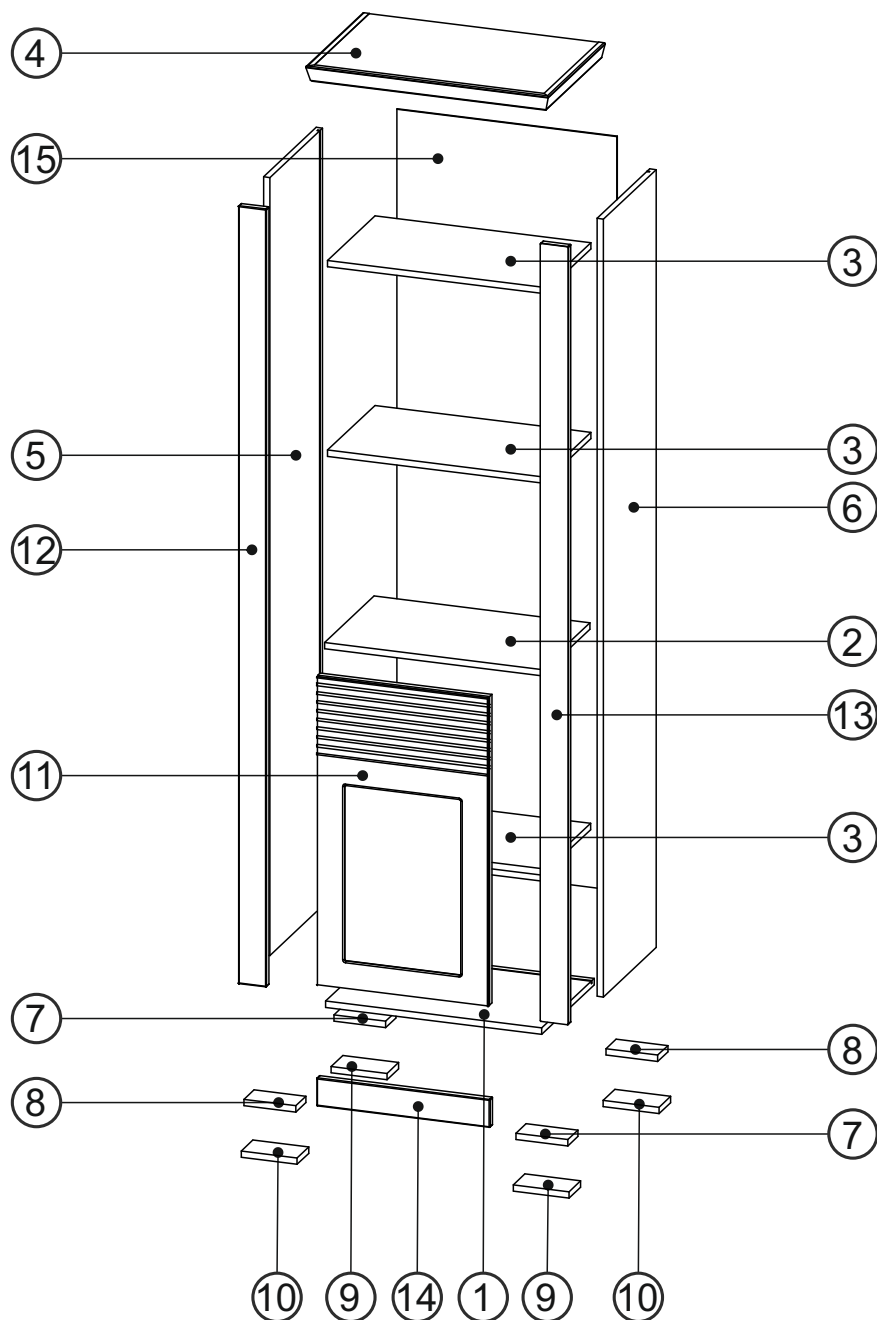






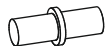
# Agnes Tall cabinet 1Dm

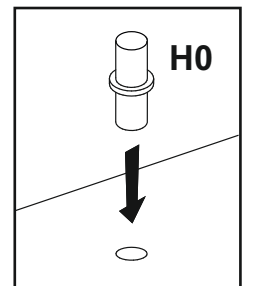
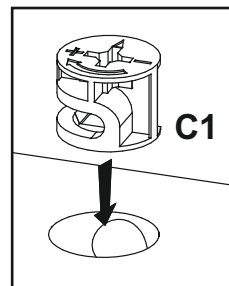
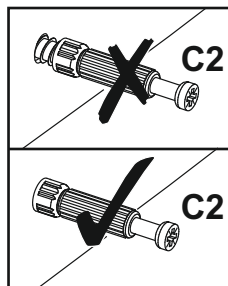
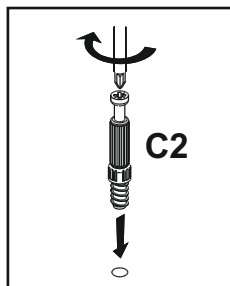
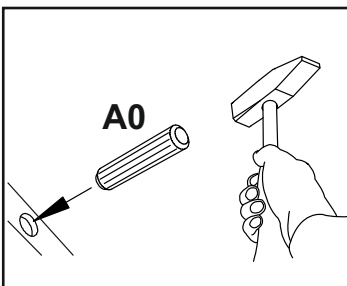
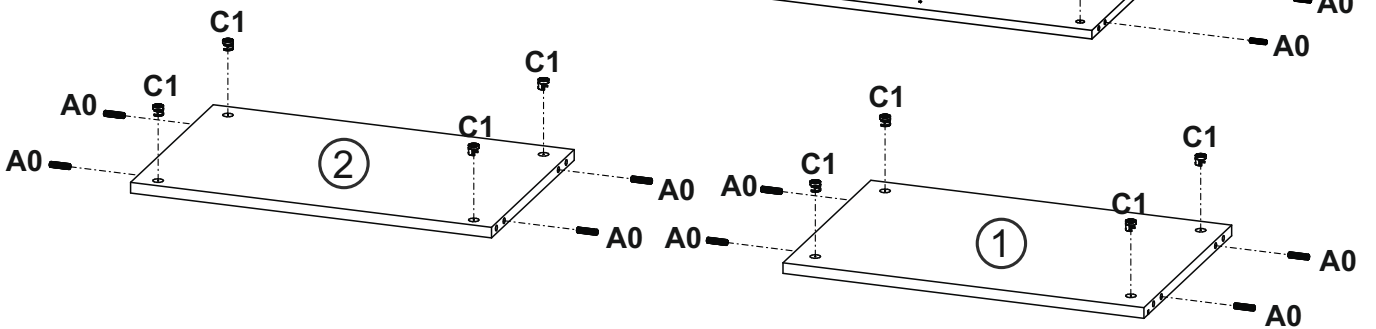
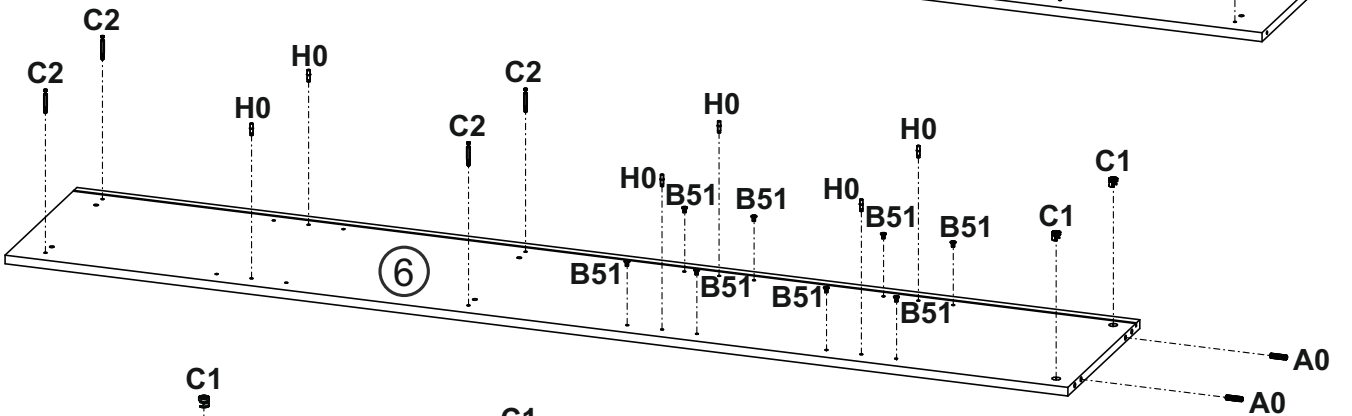
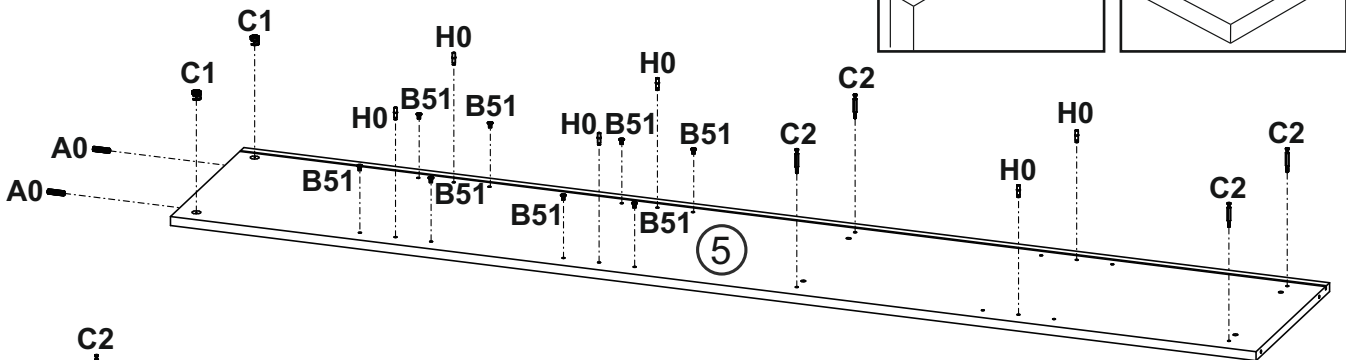
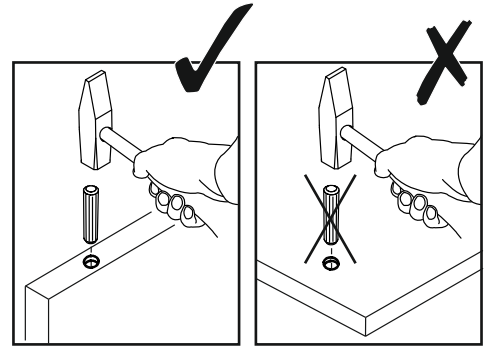
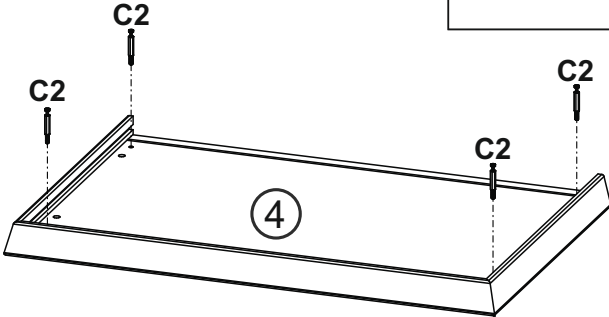
①	542	362.5	16	x1	1/2
②	542	341	16	x1	1/2
③	541	333	16	x3	1/2
④	608	393	40	x1	1/2
⑤	1952	363	16	x1	2/2
⑥	1952	363	16	x1	2/2

⑦	130	70	16	x2	2/2
⑧	130	70	16	x2	2/2
⑨	140	80	16	x2	2/2
⑩	140	80	16	x2	2/2
⑪	774	431	16	x1	2/2
⑫	1928	70	18	x1	2/2



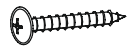

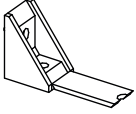
⑬	1928	70	18	x1	2/2
⑭	435	70	18	x1	2/2
⑮	1892	552	3	x1	2/2
					1/2

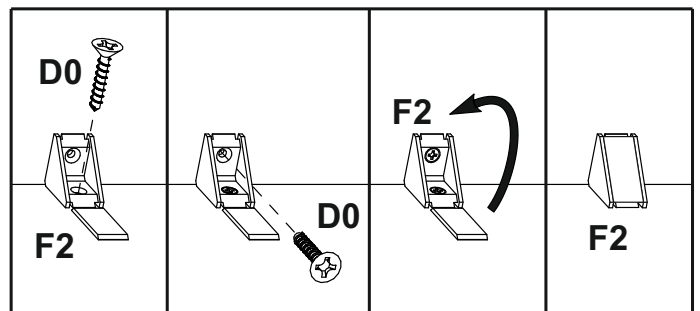
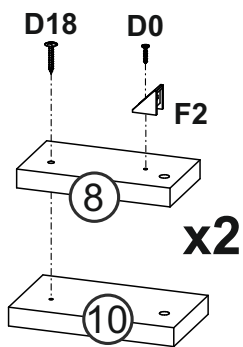
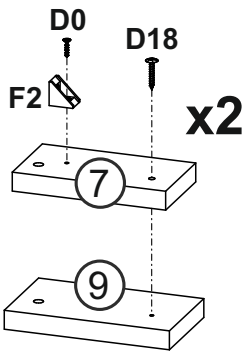
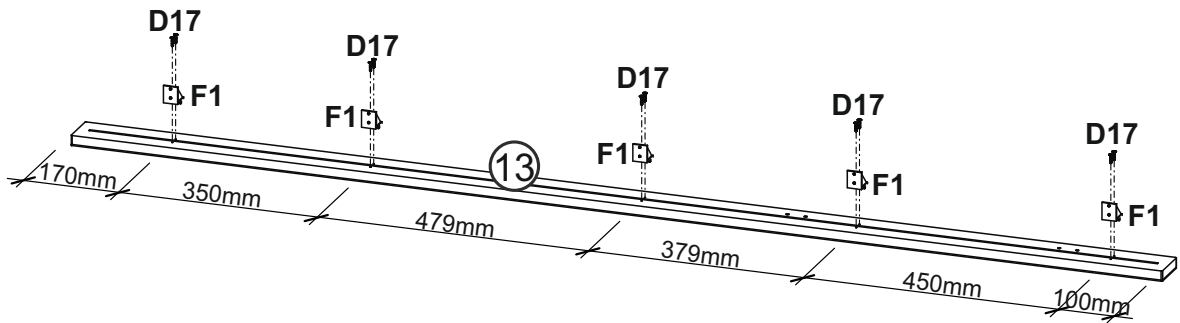
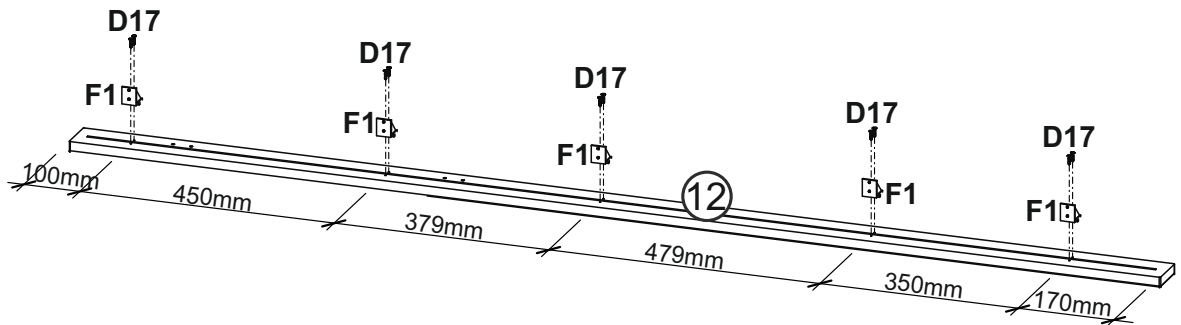
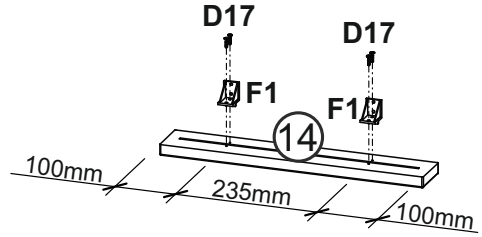
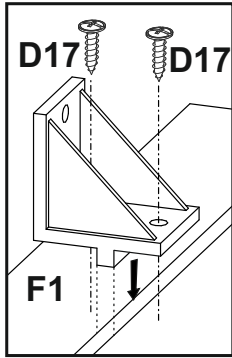


<b>1</b>	<b>A0</b> 8 x 30mm <b>x12</b>	<b>B51</b> <b>x16</b>	<b>C1</b> 16mm <b>x12</b>
			
	<b>C2</b> <b>x12</b>	<b>H0</b> <b>x12</b>	
			



# 2

<b>(D0)</b> 3 x 15 mm 	<b>x4</b>	<b>(D17)</b>  3,5 x 16 mm	<b>x24</b>	<b>(D18)</b>  4.2 x 30 mm	<b>x4</b>
		<b>(F1)</b> 	<b>x12</b>	<b>(F2)</b> 	<b>x4</b>



# 3

**B2**

7 x 70 mm

**x4**



**D0**

3 x 15 mm

**x4**

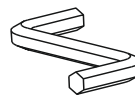


**U2**

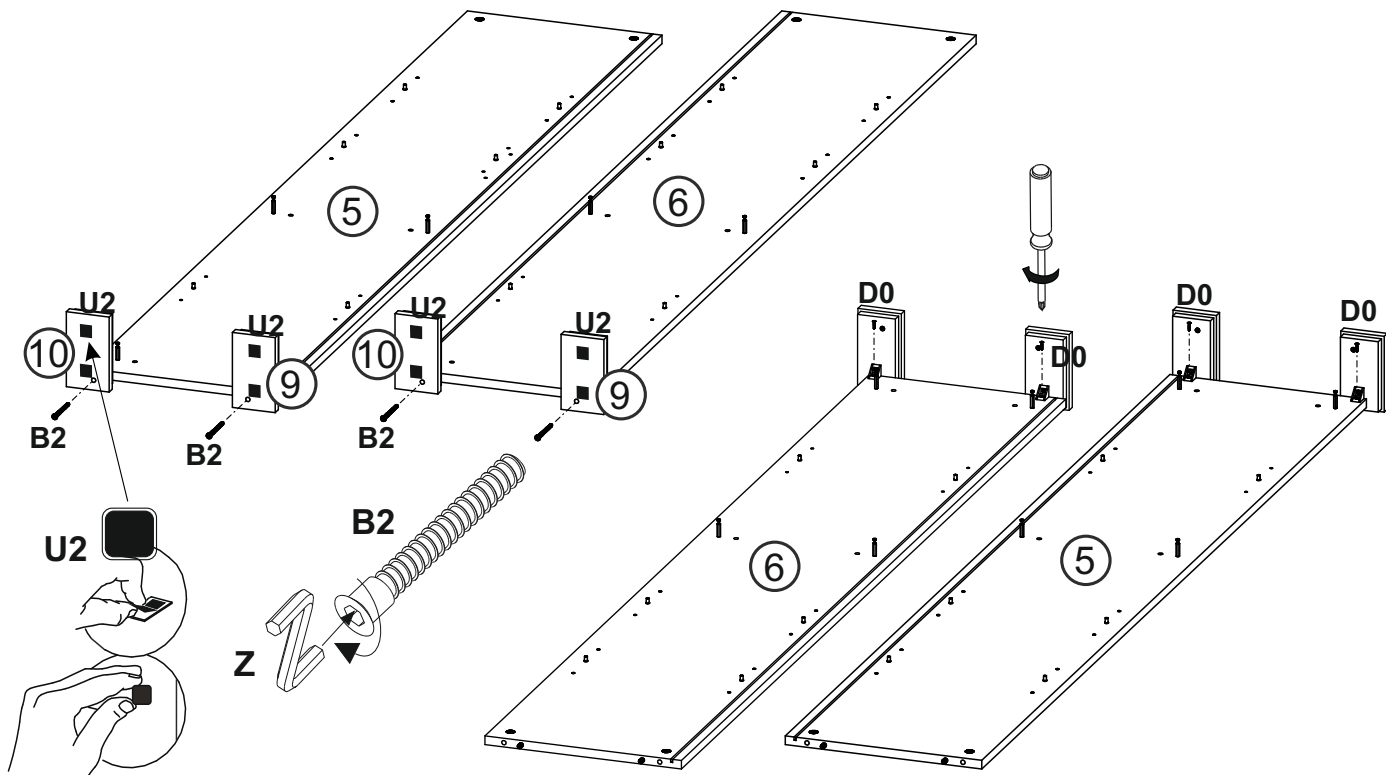


**x8**

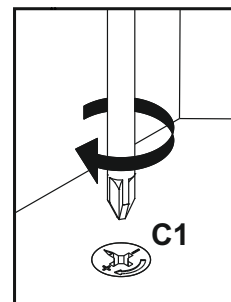
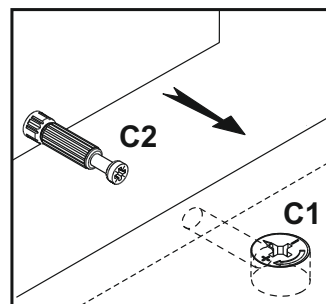
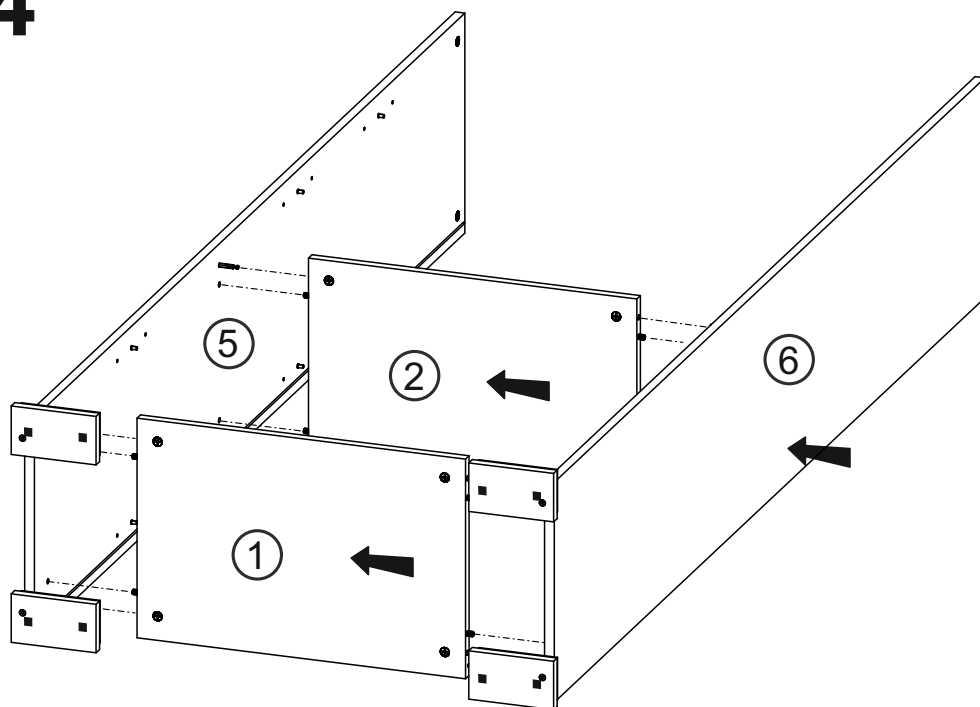
**Z**



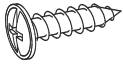
**x1**

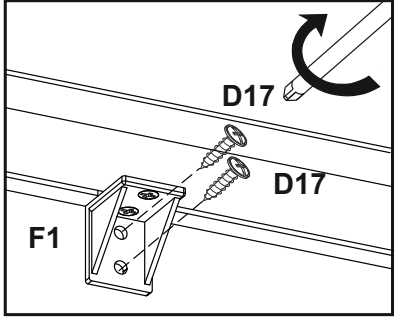
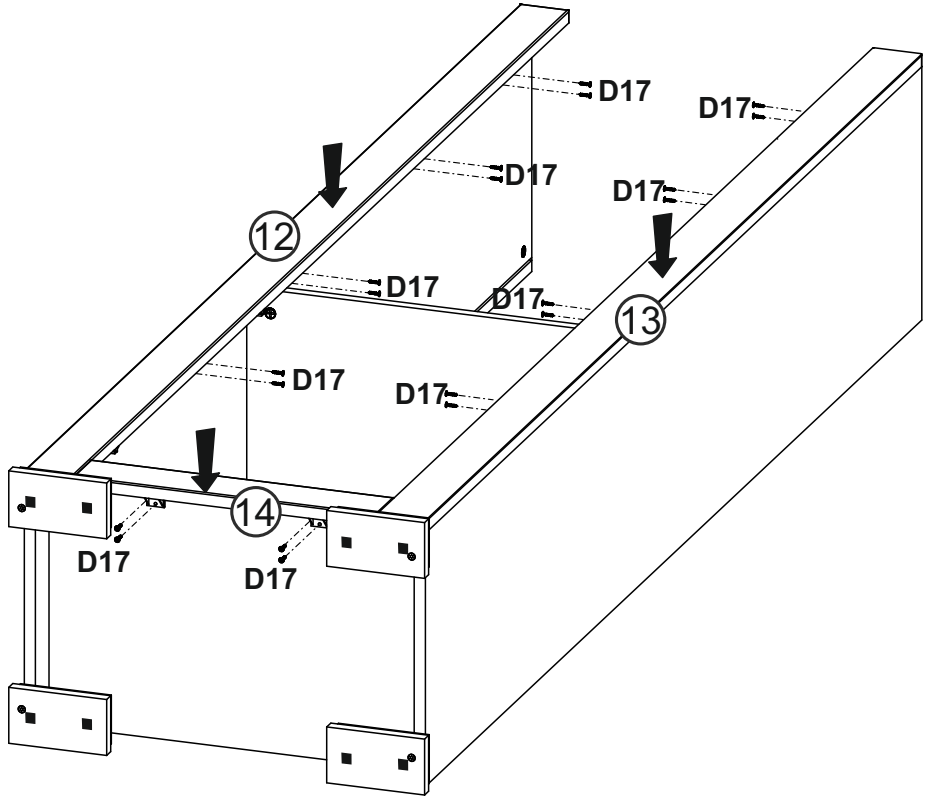


# 4

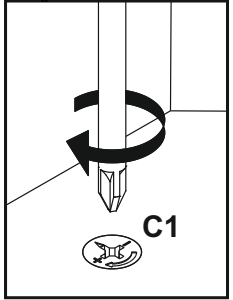
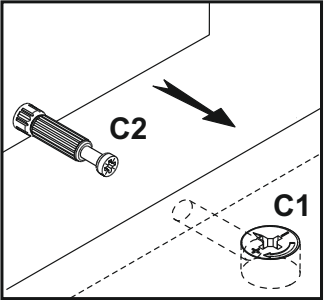
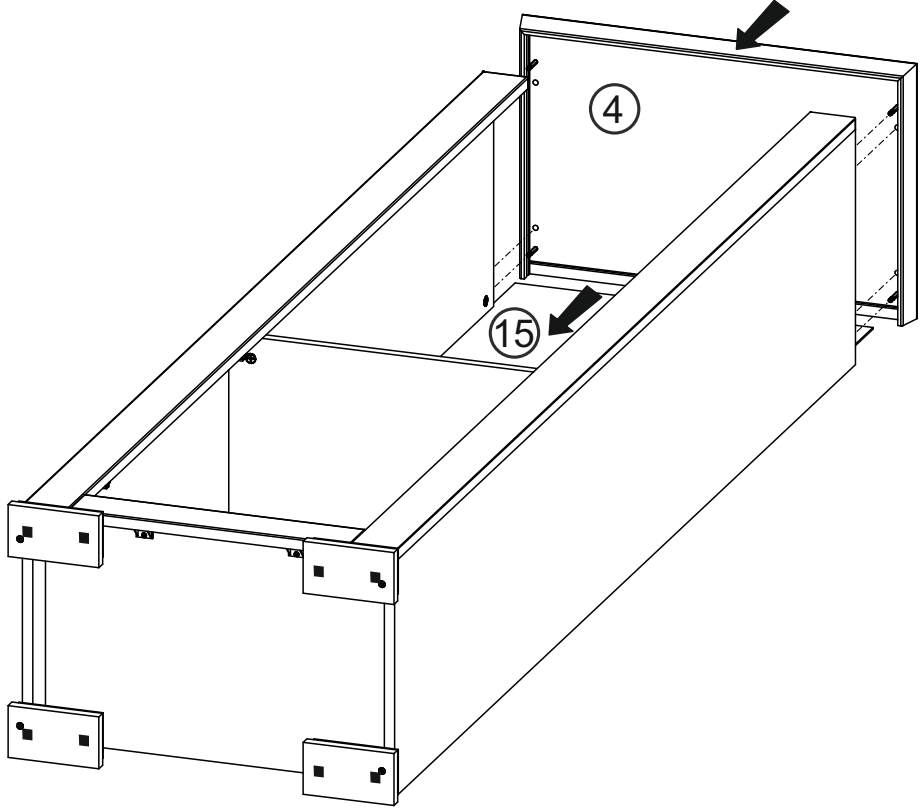


# 5

**D17**  **x24**  
3,5 x 16 mm



# 6



# 7

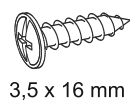
**(D0)**

3 x 15 mm

**x14**



**(D17)**



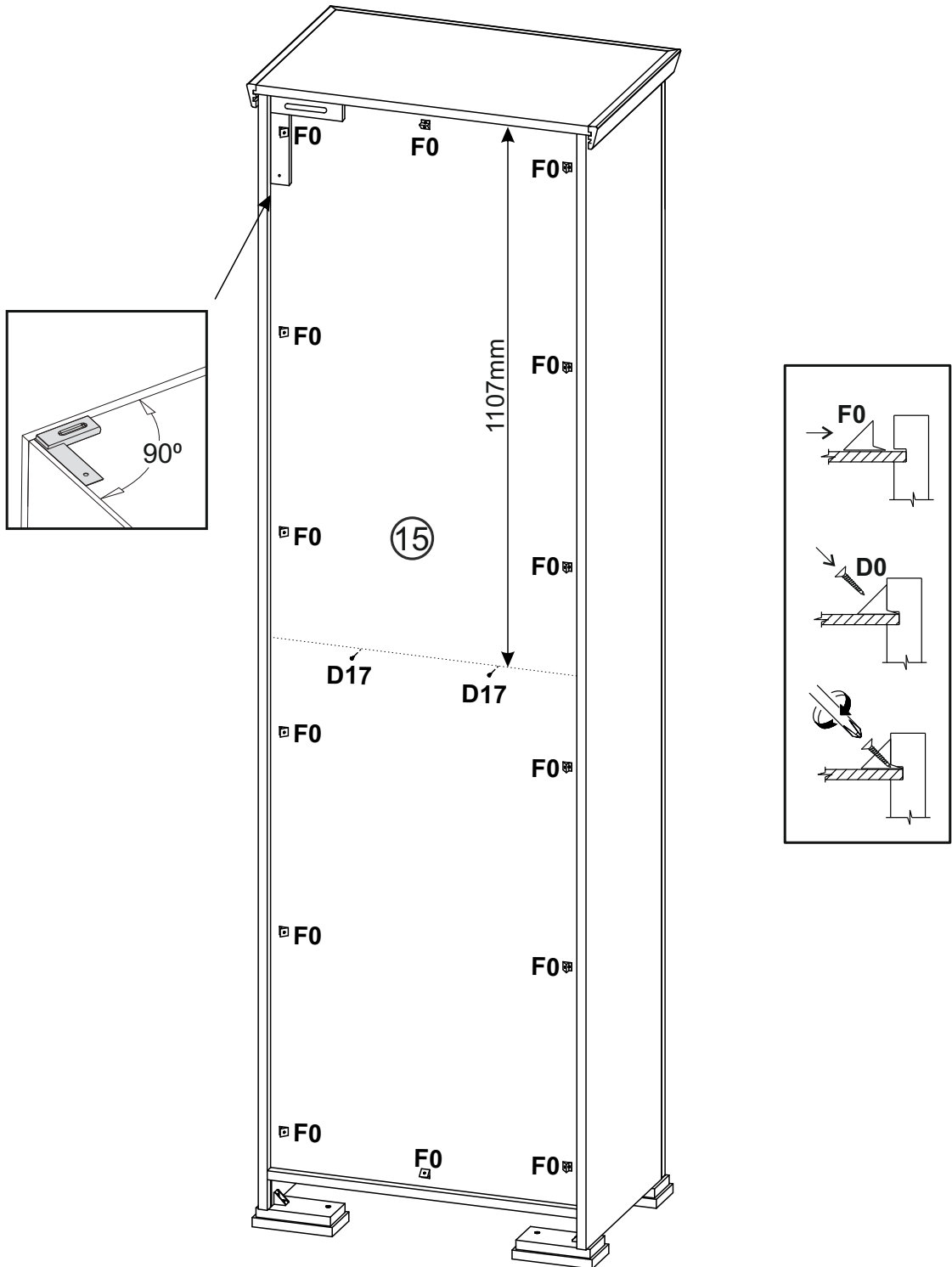
3,5 x 16 mm

**x2**

**(F0)**



**x14**





# 8

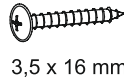
**C0**

**x8**



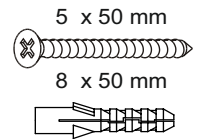
**D17**

**x2**



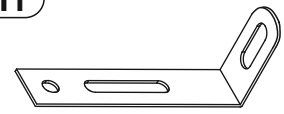
3,5 x 16 mm

**E4**

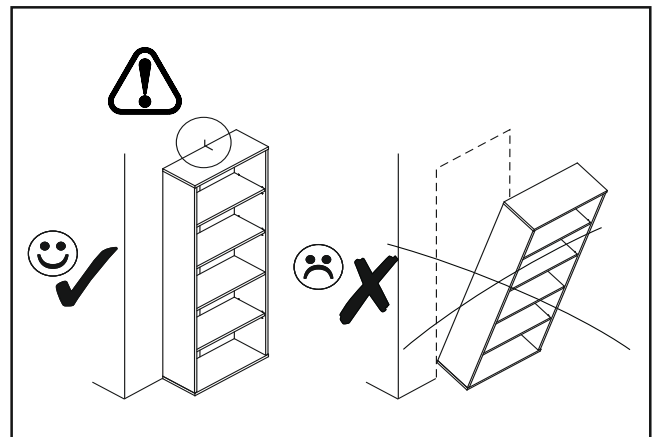
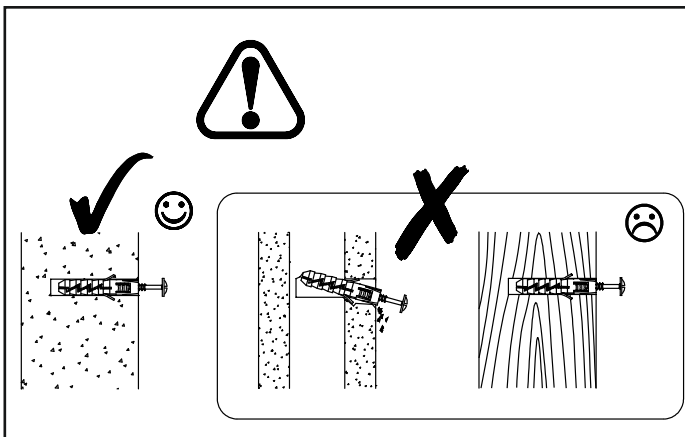
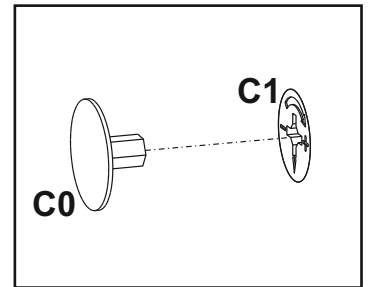
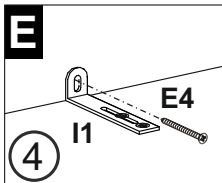
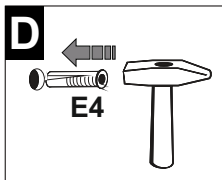
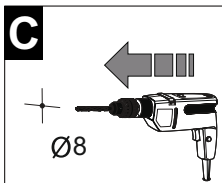
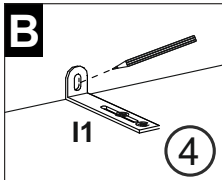
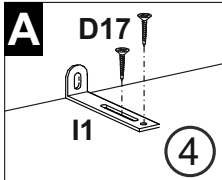
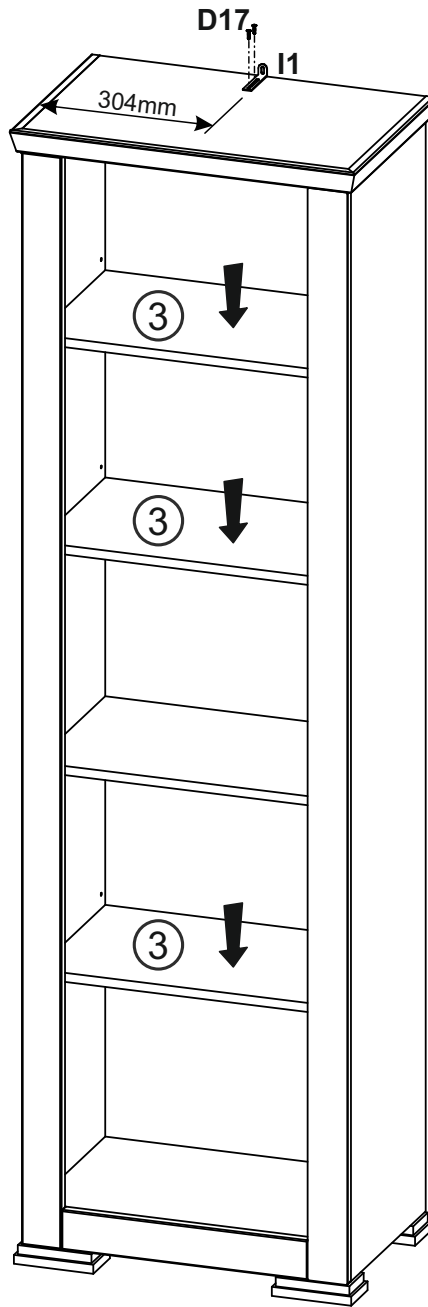


**x1**

**I1**



**x1**

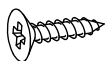


# 9R

**D10**

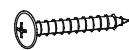
4 x 16 mm

**x4**



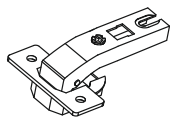
**D18**

**x2**



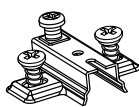
4.2 x 30 mm

**G8A**



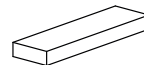
**x2**

**G8B**



**x2**

**L35**



**x1**

**M0**

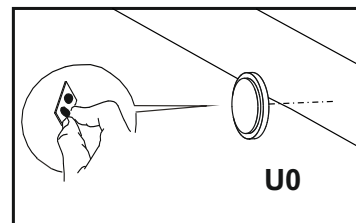


**x2**

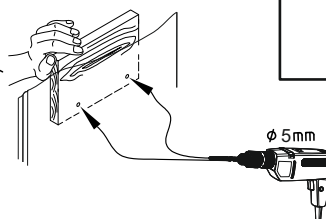
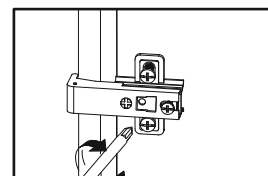
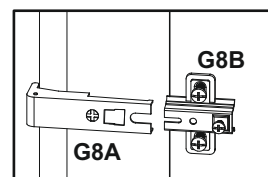
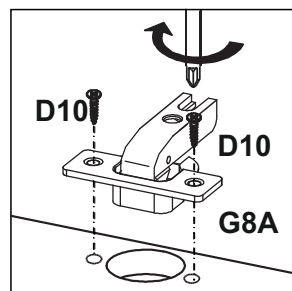
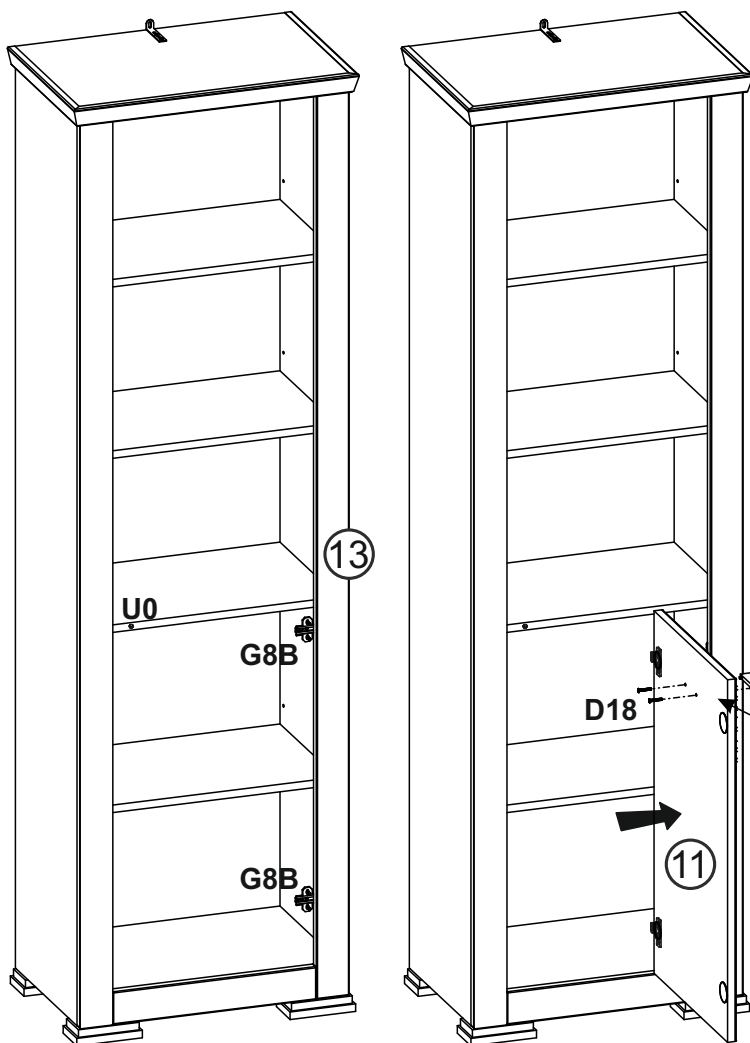
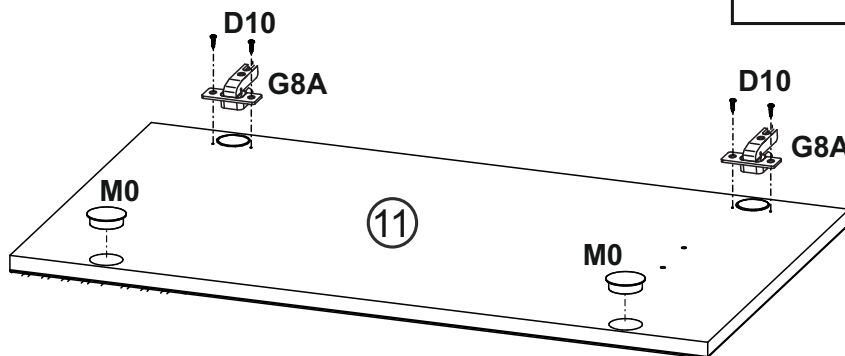
**U0**



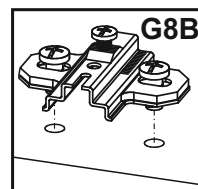
**x1**



**U0**



Ø 5mm

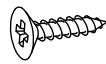


# 9L

**D10**

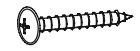
4 x 16 mm

**x4**



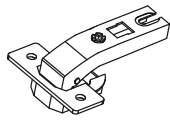
**D18**

**x2**



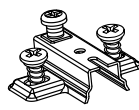
4.2 x 30 mm

**G8A**



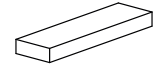
**x2**

**G8B**



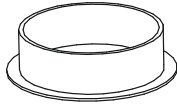
**x2**

**L35**



**x1**

**M0**

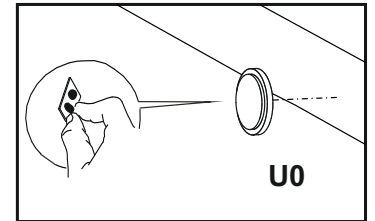


**x2**

**U0**



**x1**



**U0**

