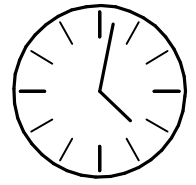
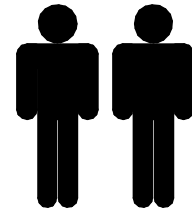
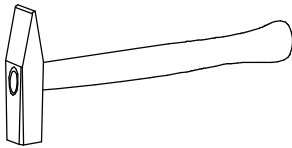
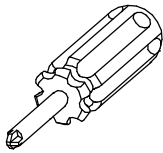
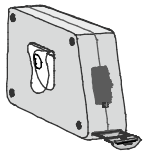
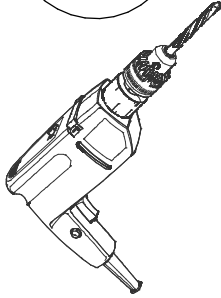
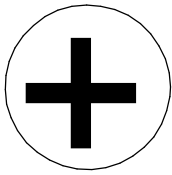
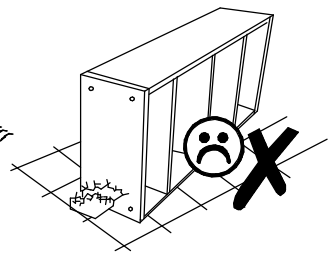
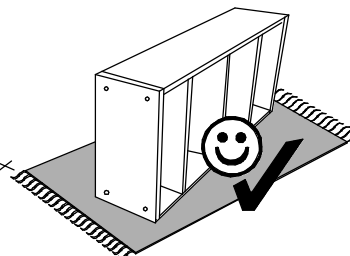
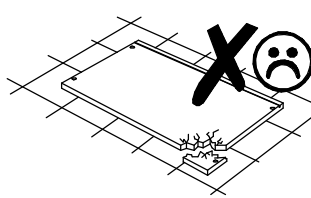
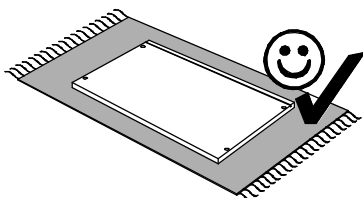
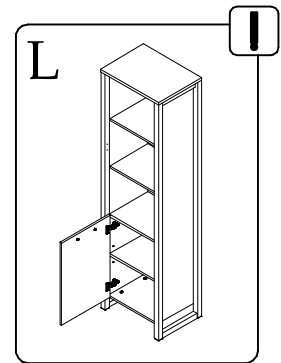
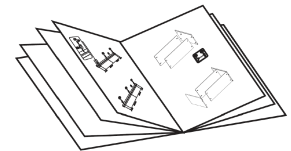
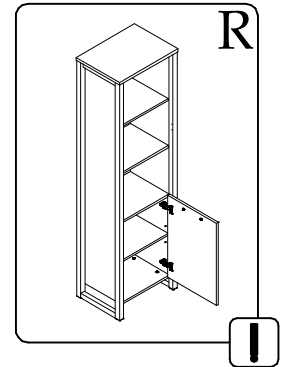
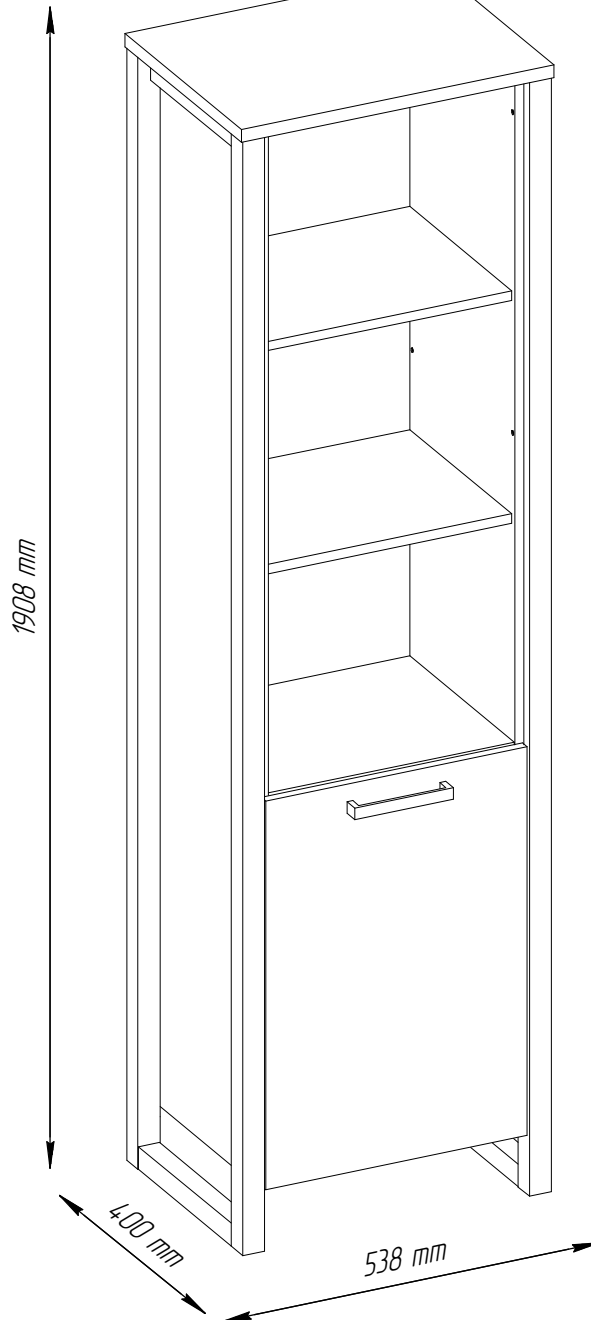
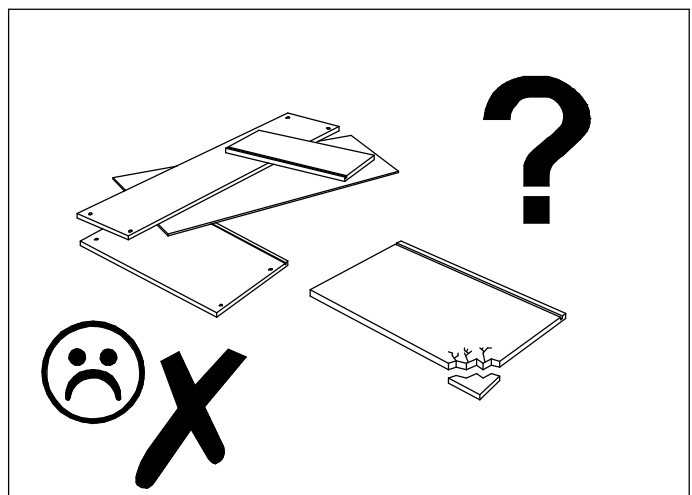
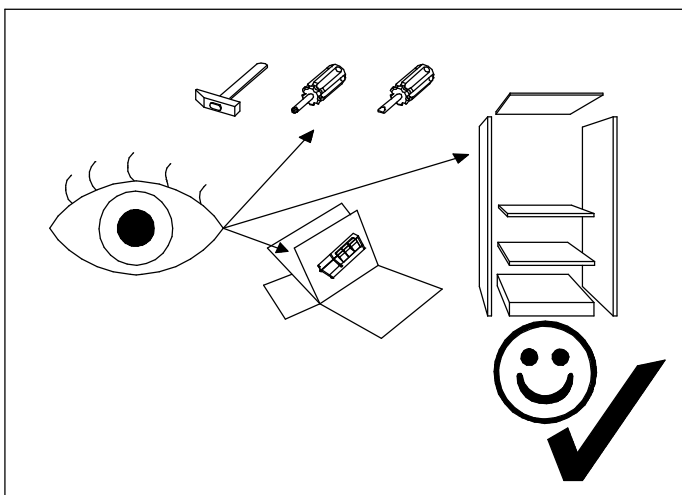
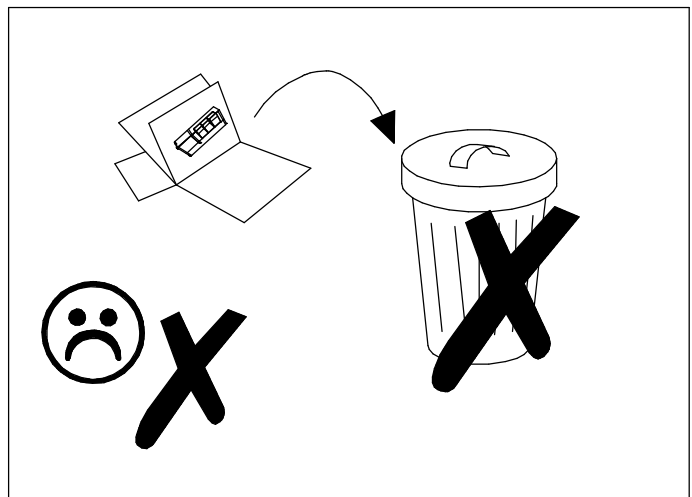
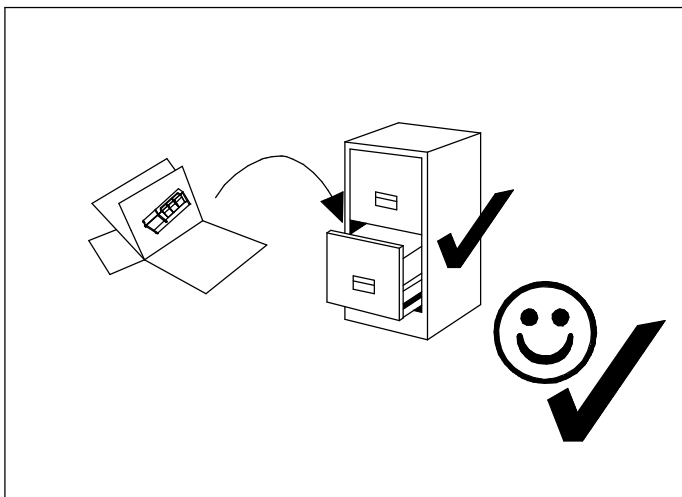
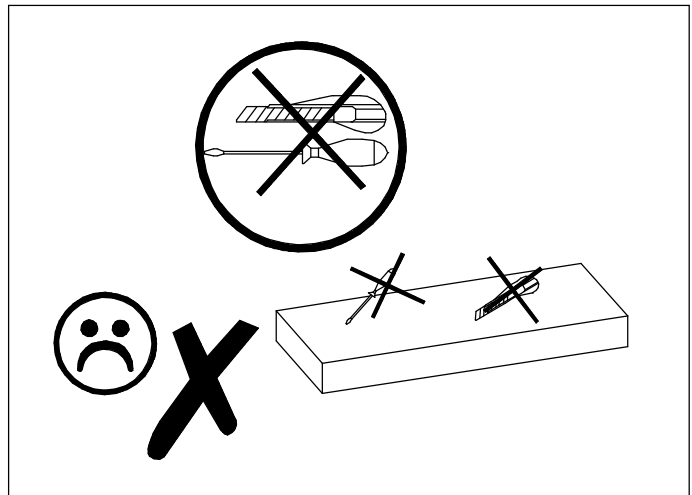
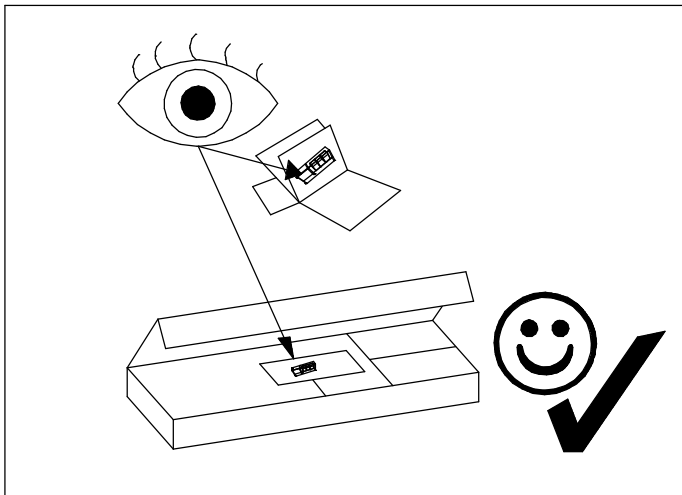


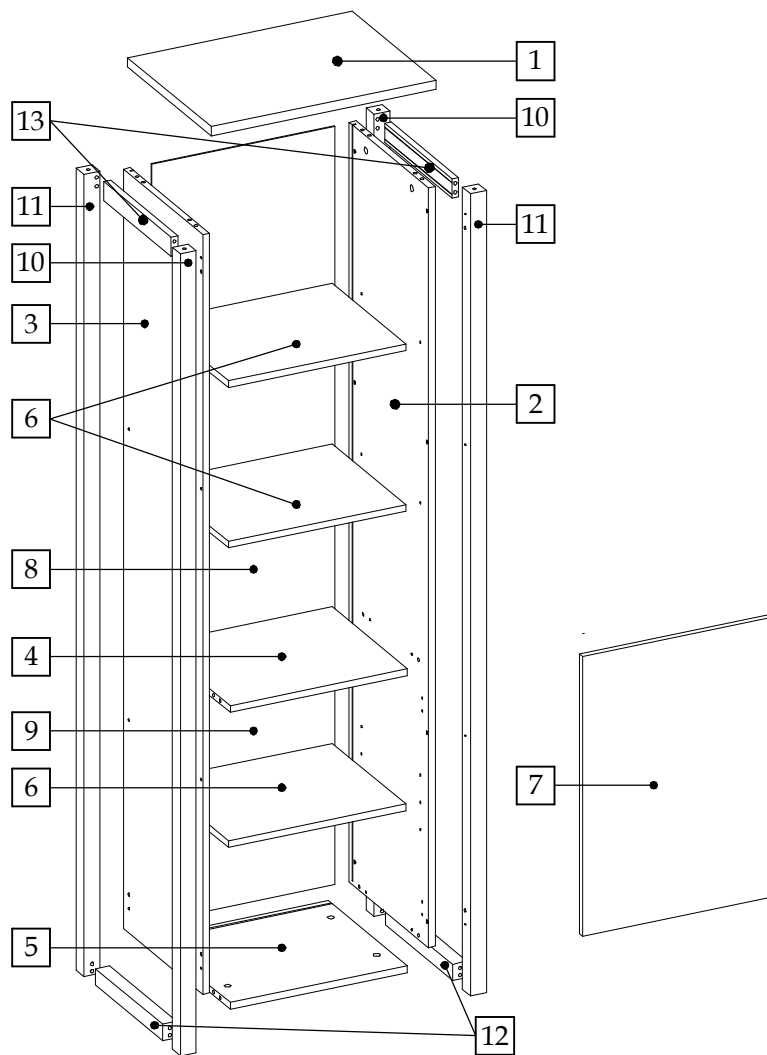
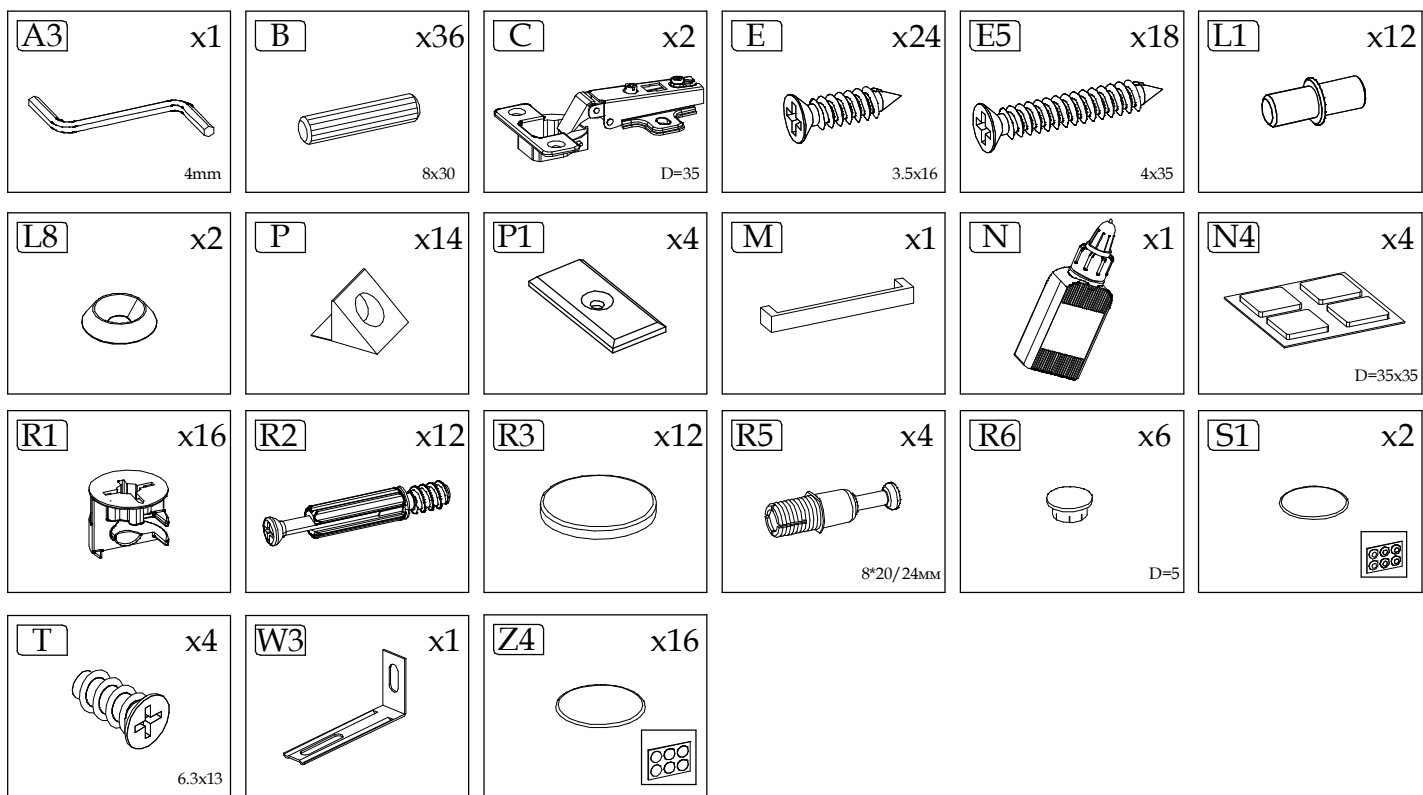
MARES R



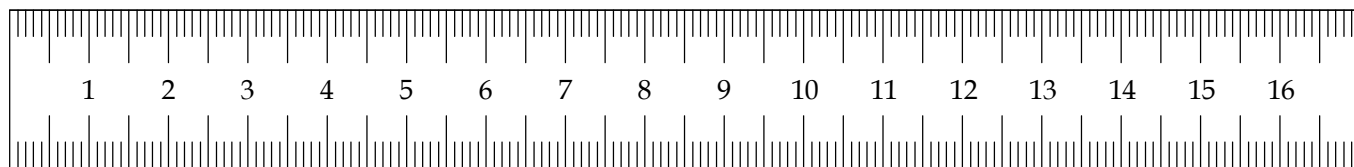
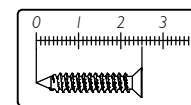
80 min

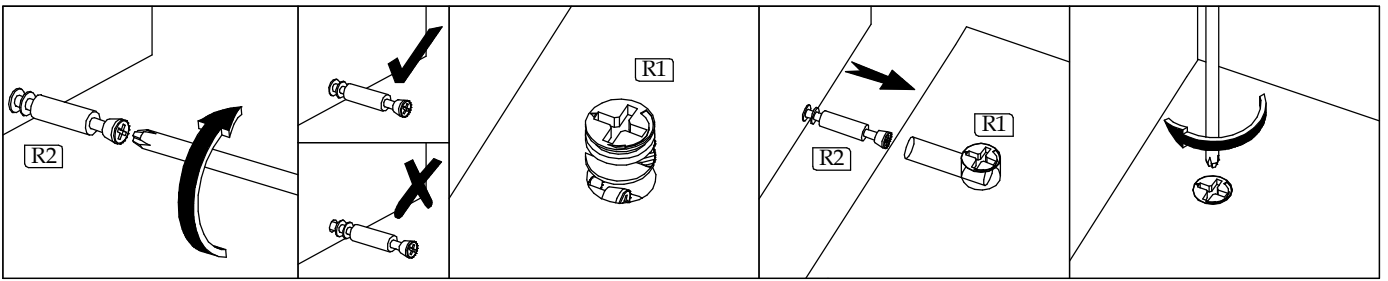




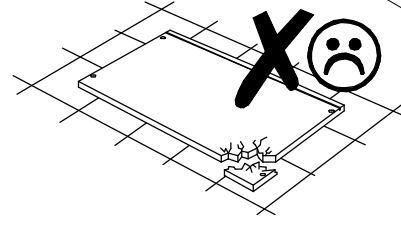
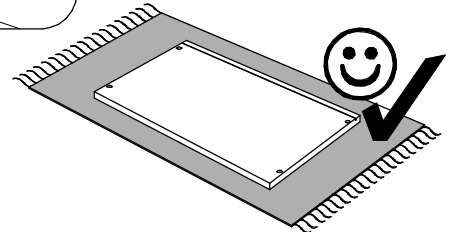
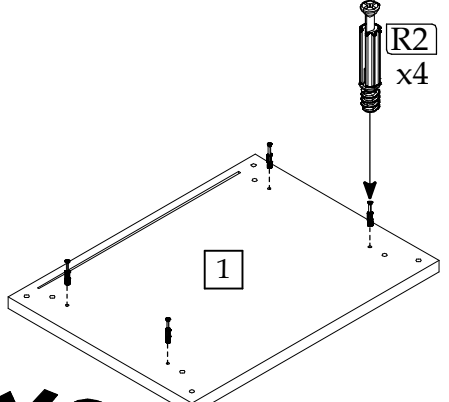
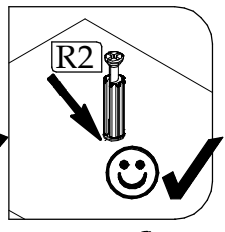
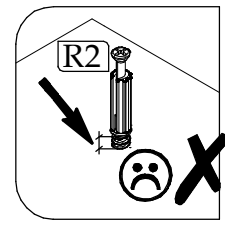
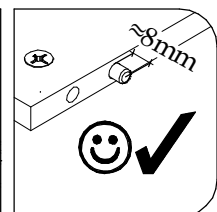
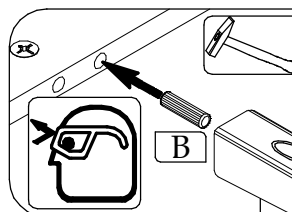
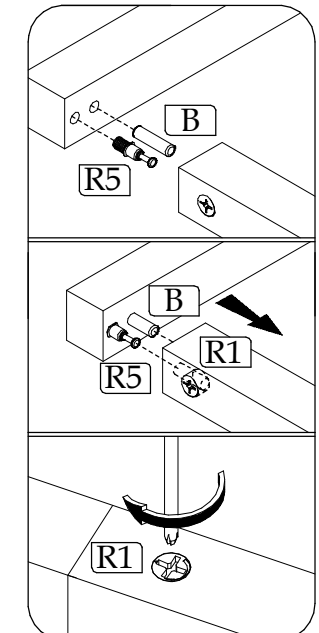
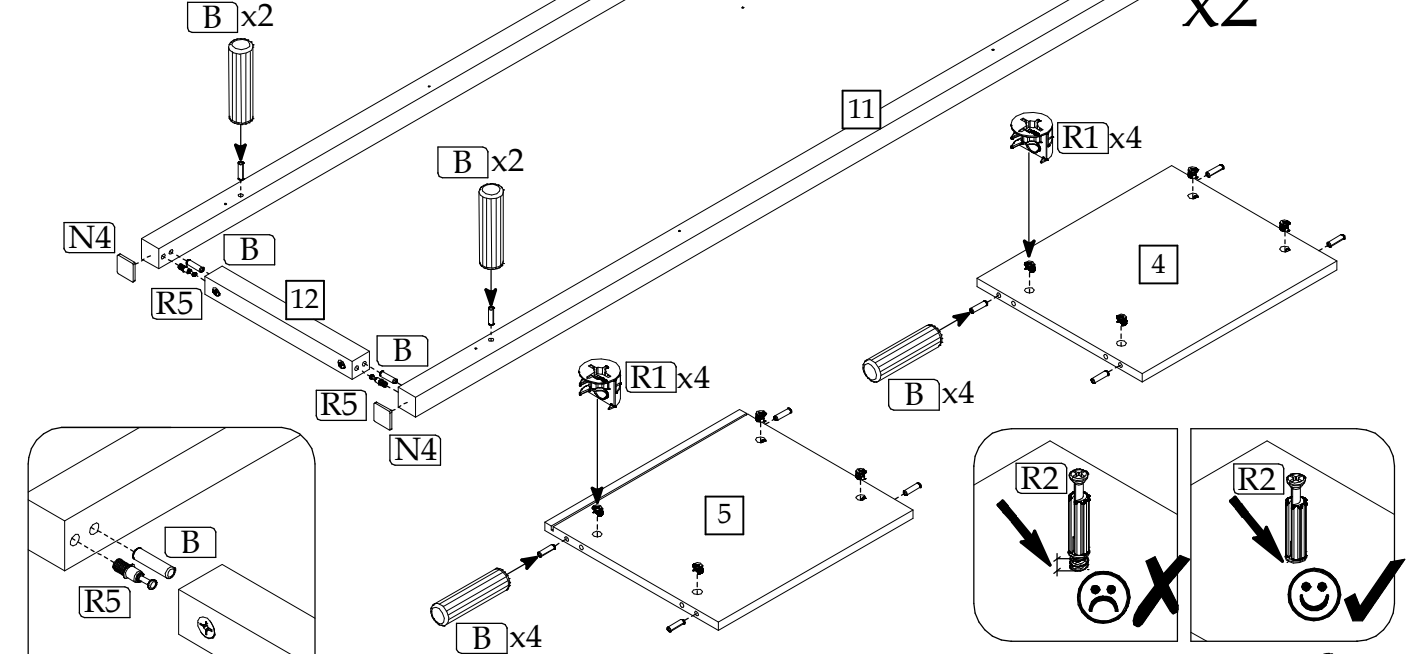
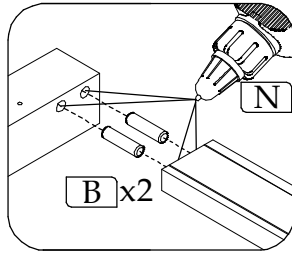
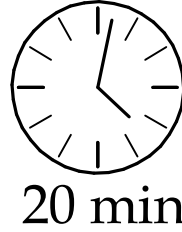
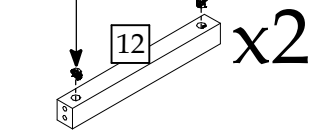
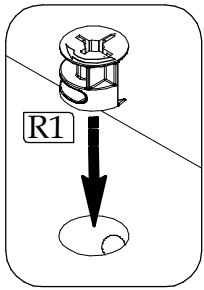


Element symbol	Measurements				Code	Pack
1	538	400	22	1	1001	1/2
2	1784	379	16	1	1040	1/2
3	1784	379	16	1	1041	1/2
4	424	360	16	1	1039	1/2
5	424	378	16	1	1042	1/2
6	424	351	16	3	N/A	1/2
7	657	450	16	1	1045	1/2
8	1135	438	3	1	N/A	1/2
9	645	438	3	1	N/A	1/2
10	1883	38	38	2	1883x38_T1	2/2
11	1883	38	38	2	1883x38_T2	2/2
12	321	34	38	2	321x34x38	1/2
13	321	45	16	2	321x45x16	1/2

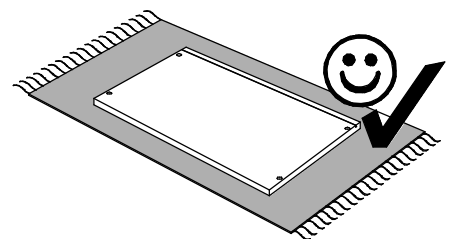
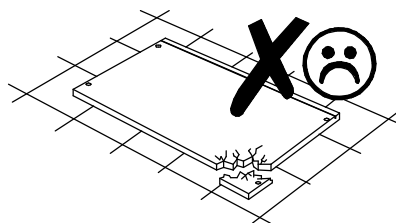
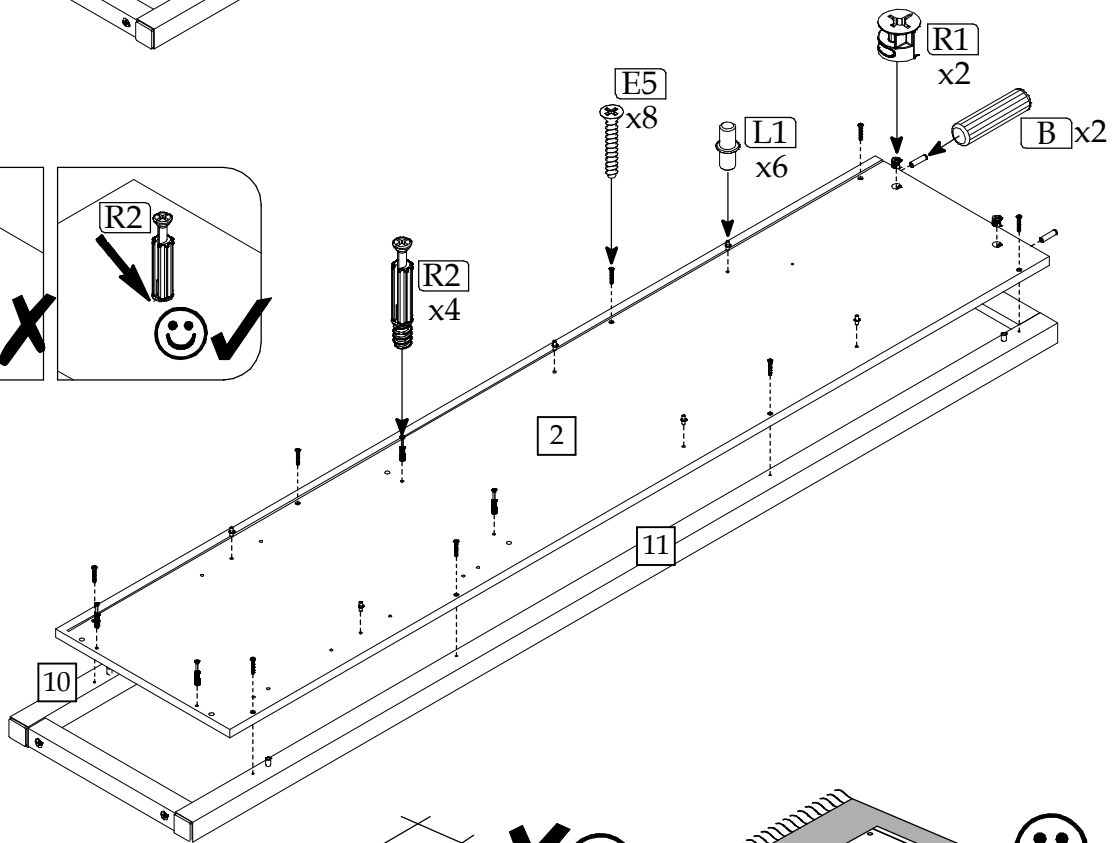
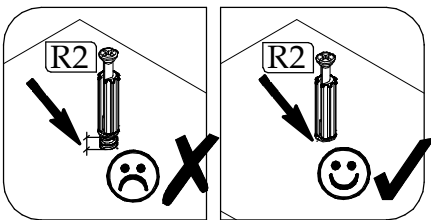
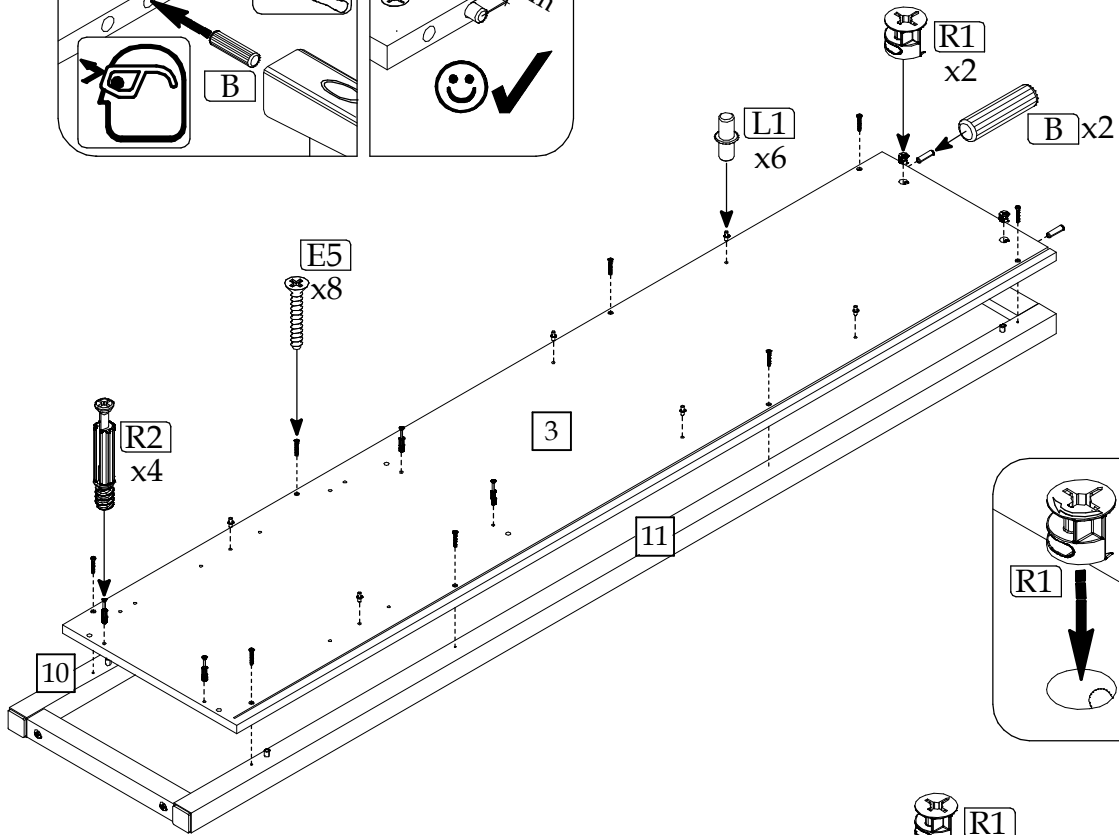
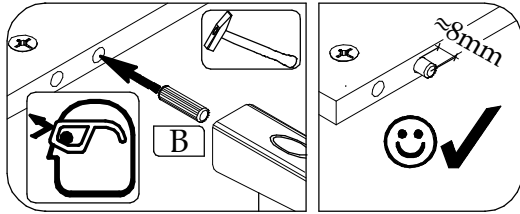




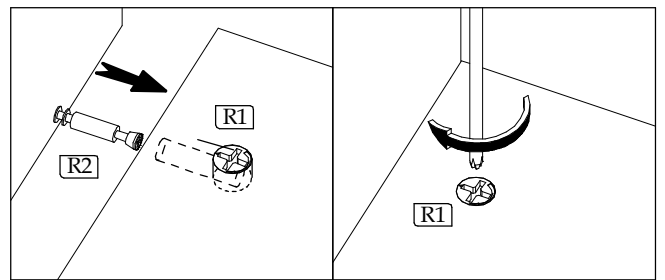
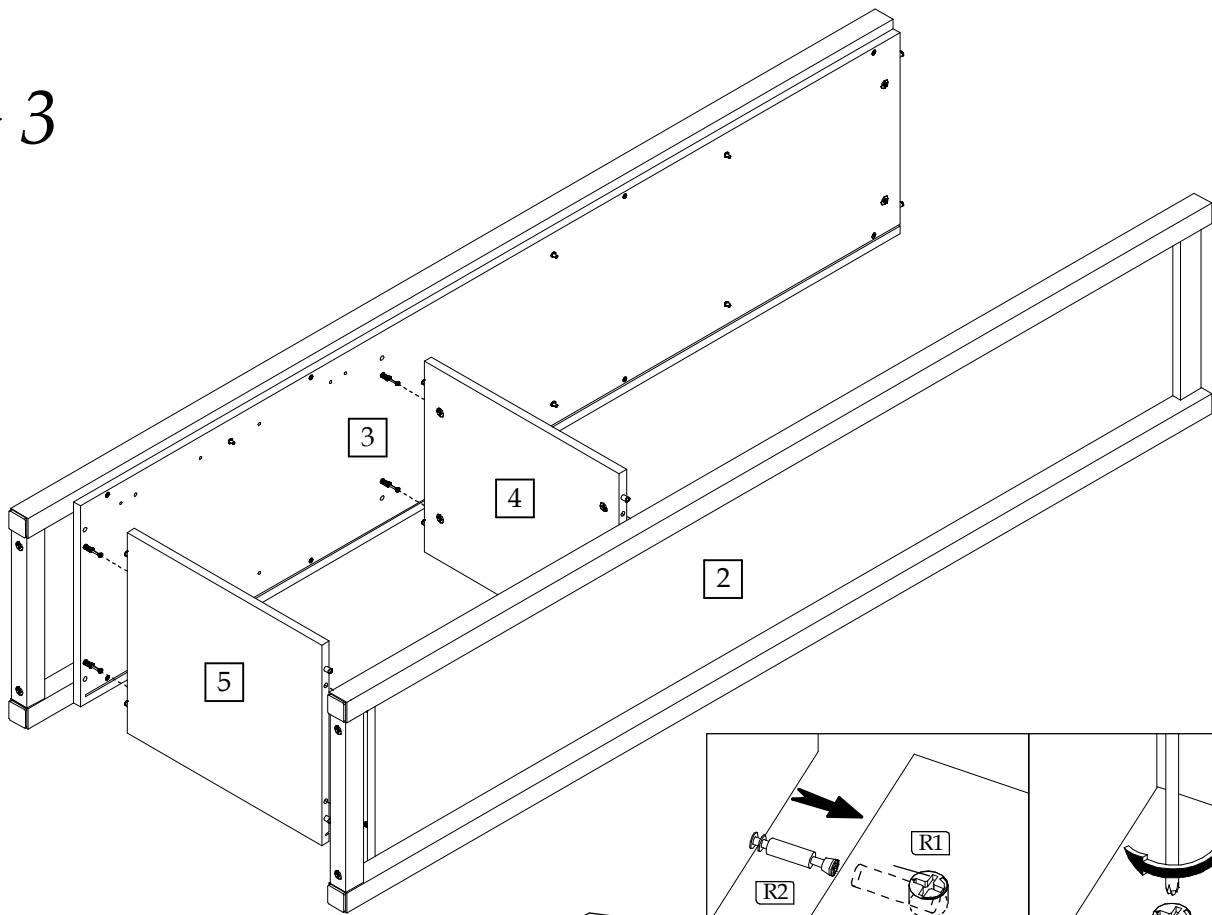
▶ 1



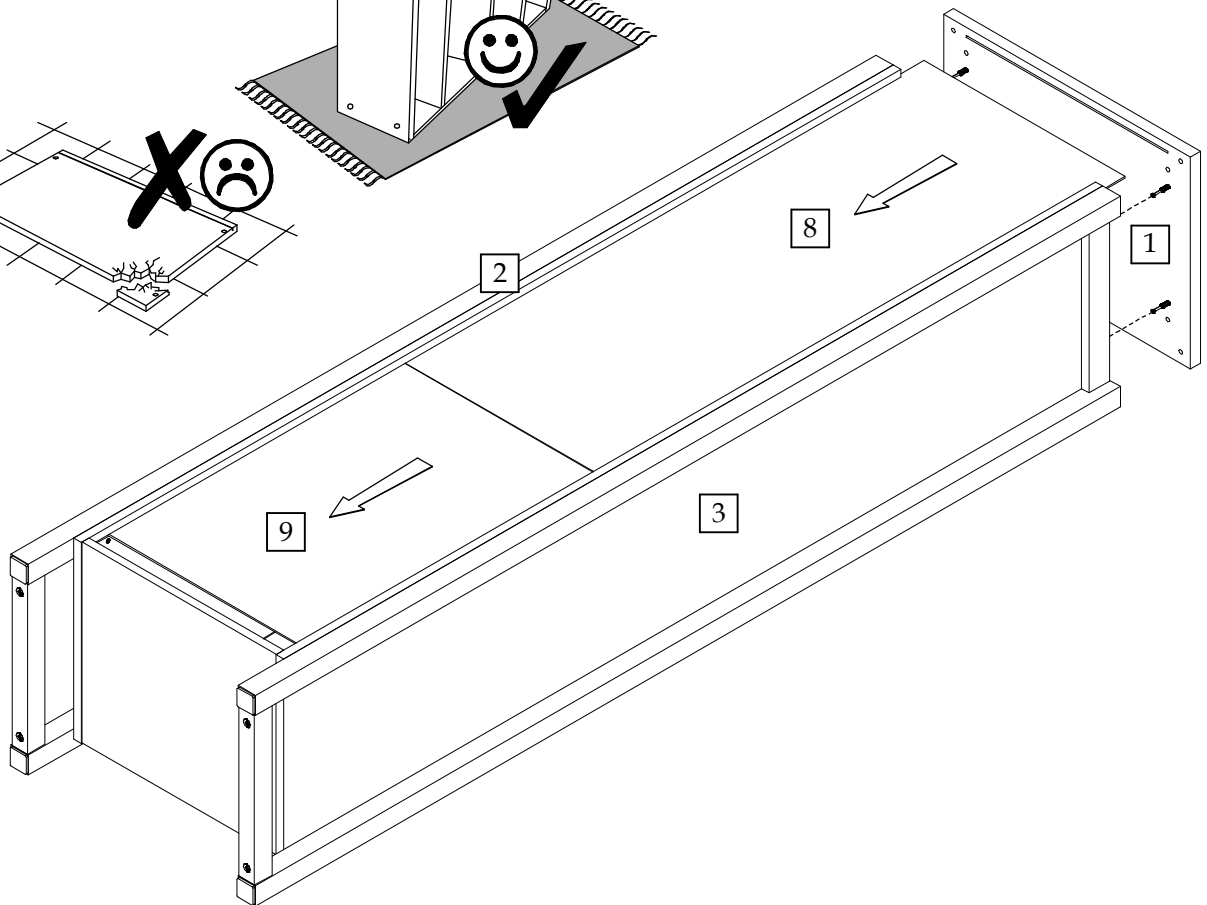
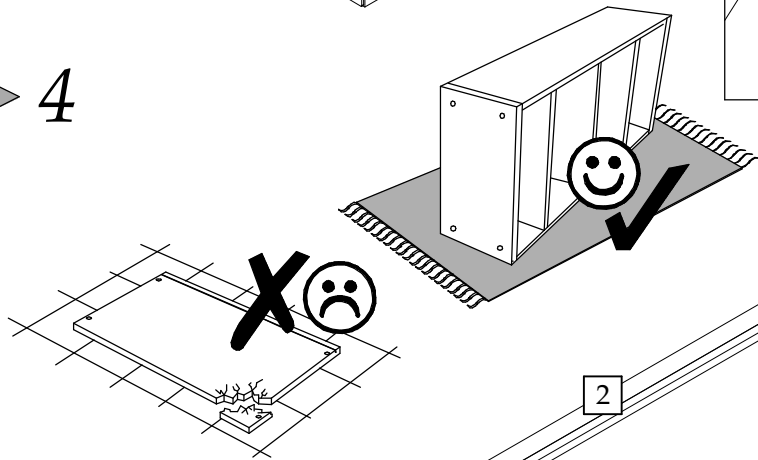
▶ 2



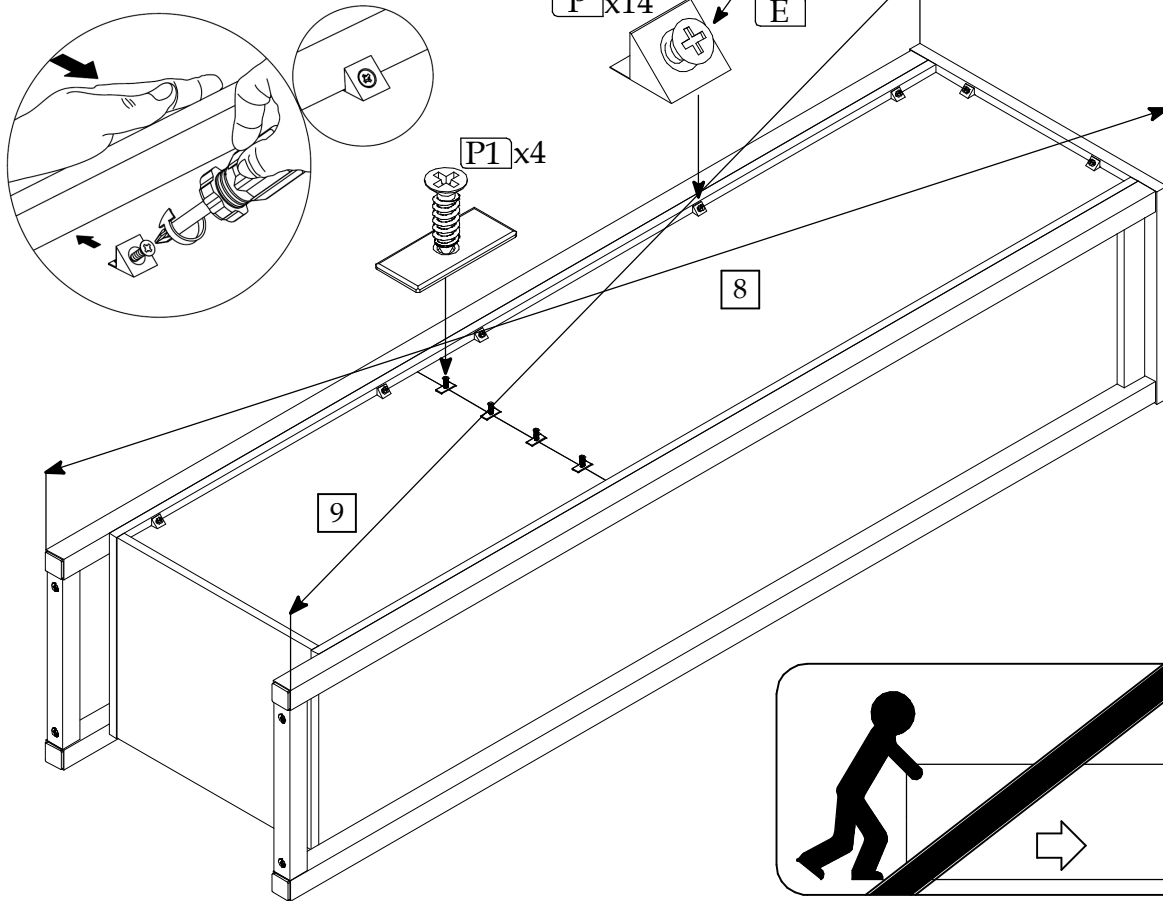
▶ 3



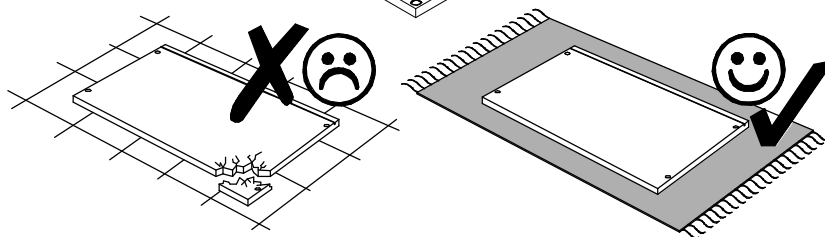
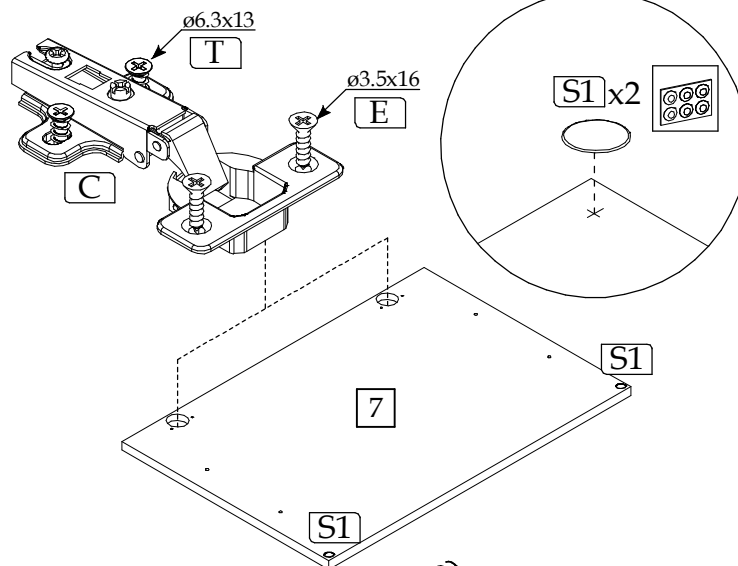
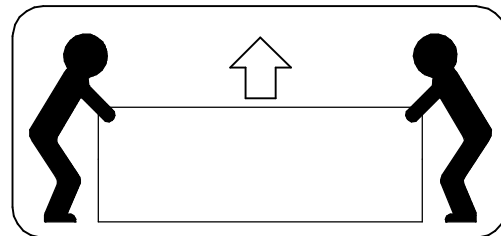
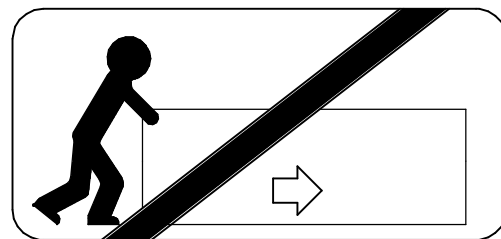
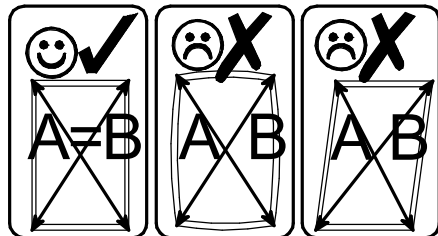
▶ 4



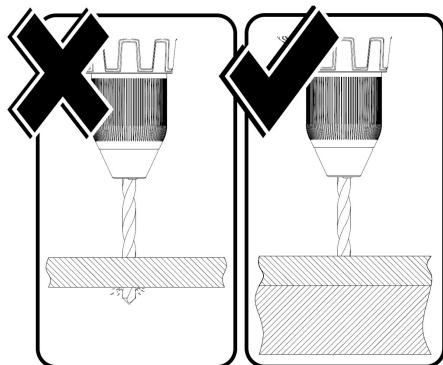
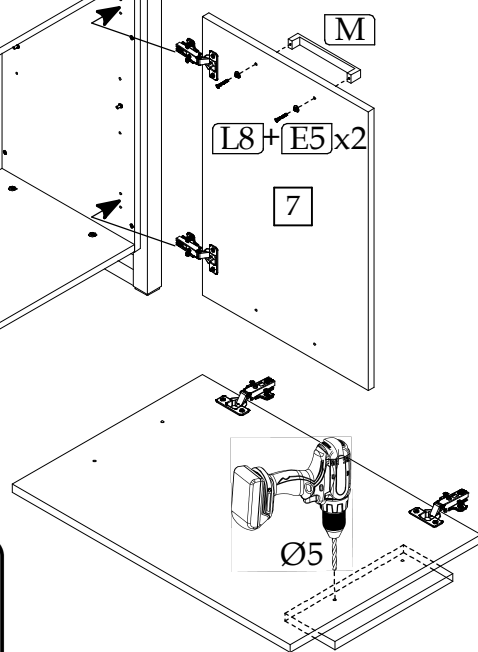
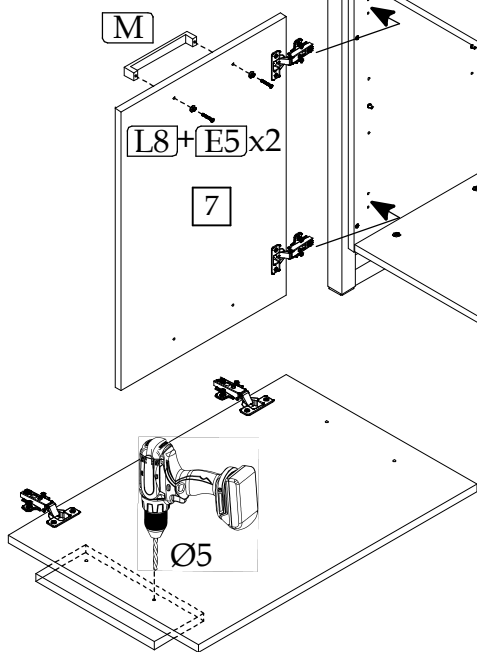
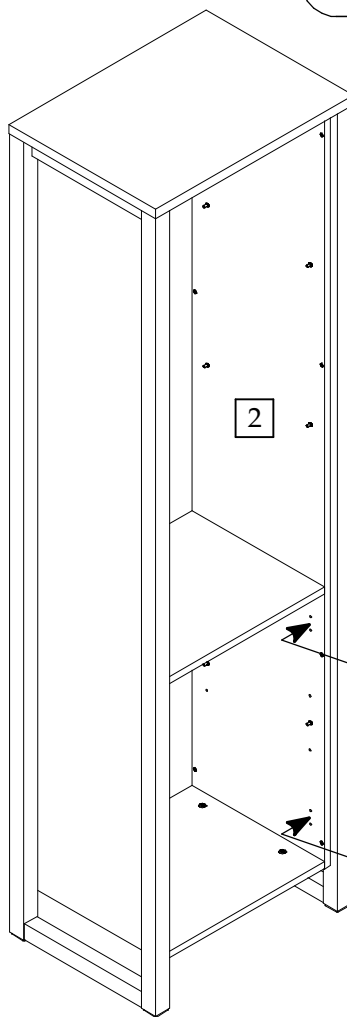
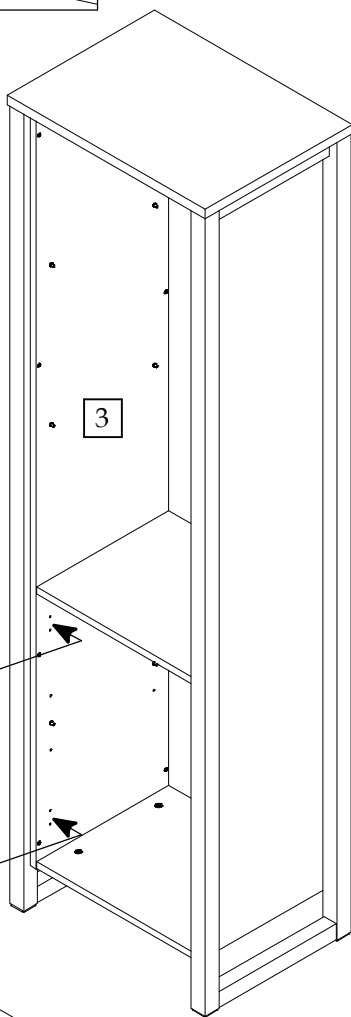
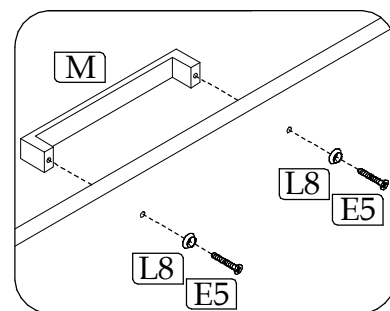
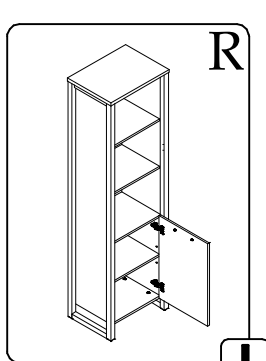
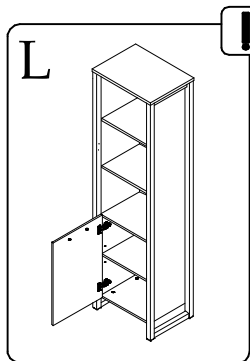
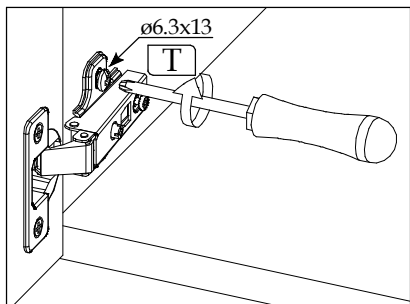
▶ 5



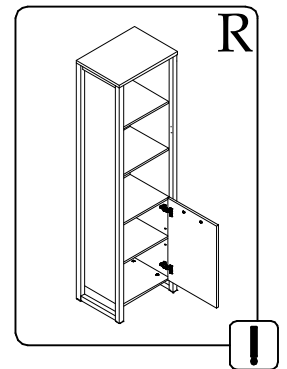
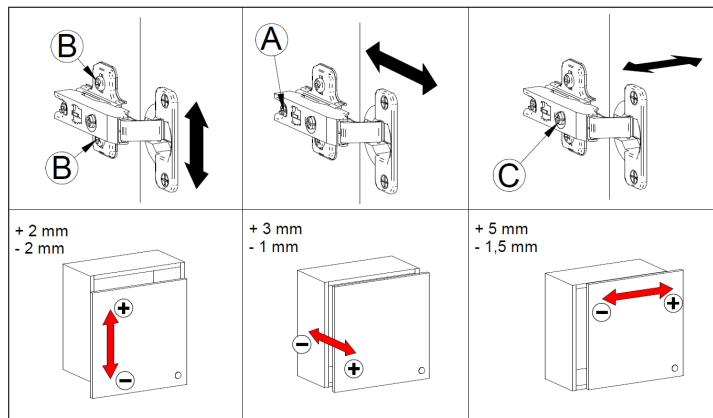
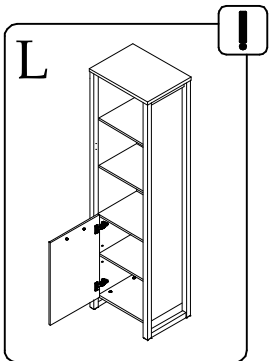
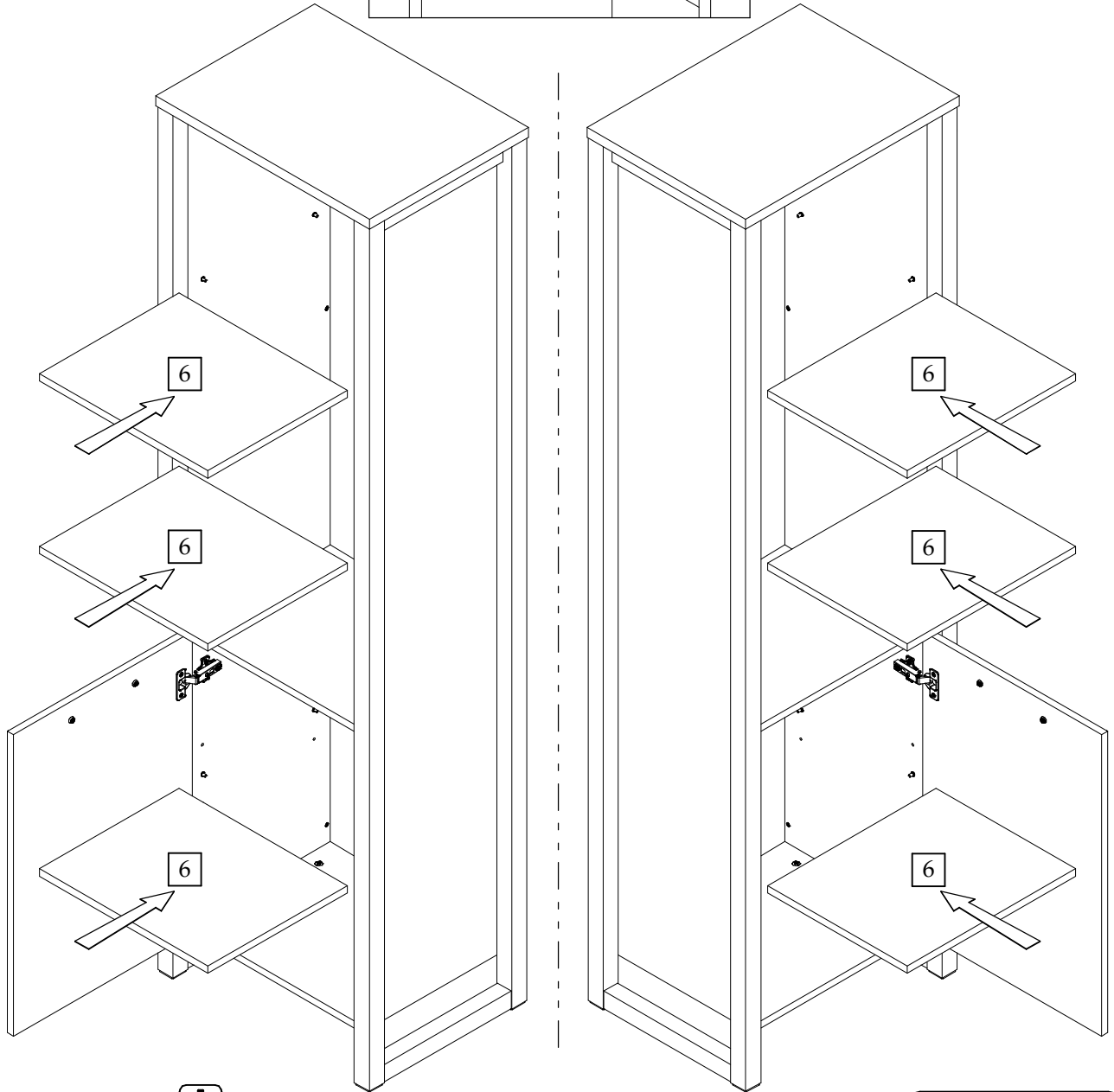
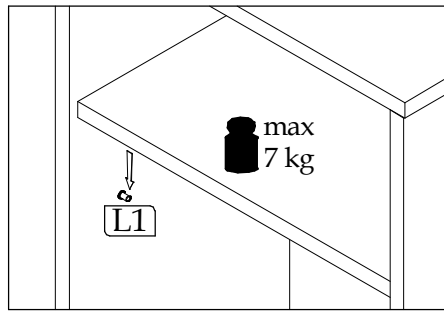
▶ 6



▶ 7



▶ 8



▶ 9

