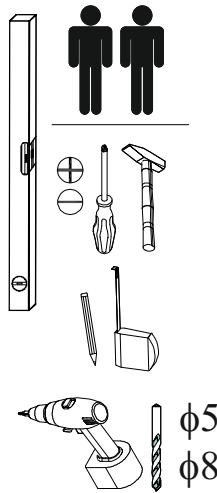
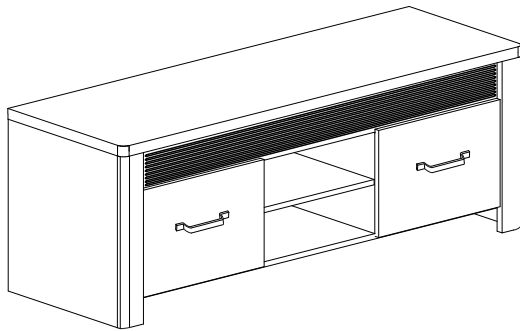
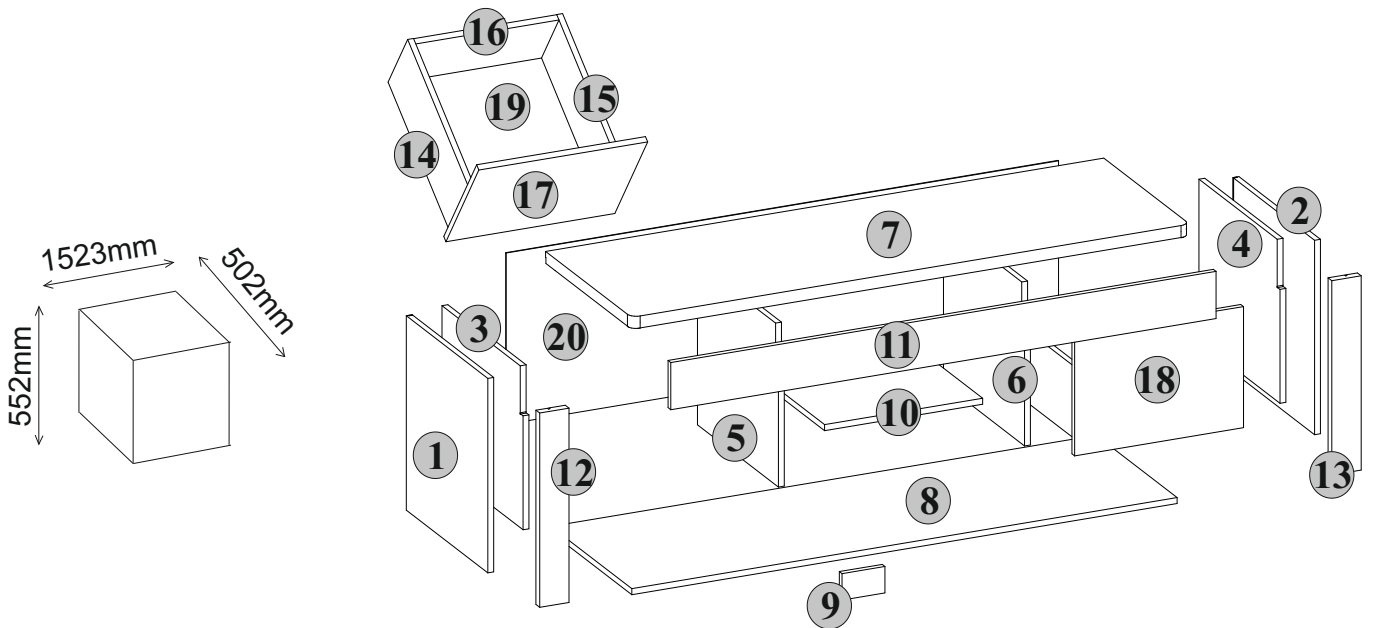


Moris/Mopic/Mopис

TV Rack 2Drw
Szafka RTV 2Sh
Тумба ТВ 2Ш

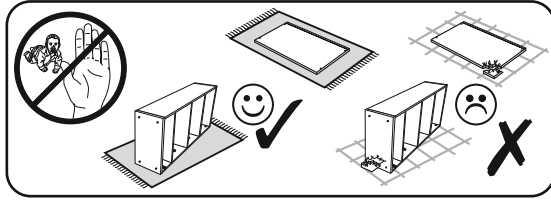




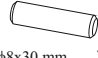
number	Measurements	Pcs.
1	515x477	1
2	515x477	1
3	429x474	1
4	429x474	1
5	429x474	1
6	429x474	1
7	1523x502	1
8	1489x474	1
9	70x116	1
10	431x472	1
11	1489x125	1
12	515x80	1
13	515x80	1
14	450x190	2
15	450x190	2
16	391x190	2
17	460x320	1
18	460x320	1
19	401x444	1
20	1508x454	1

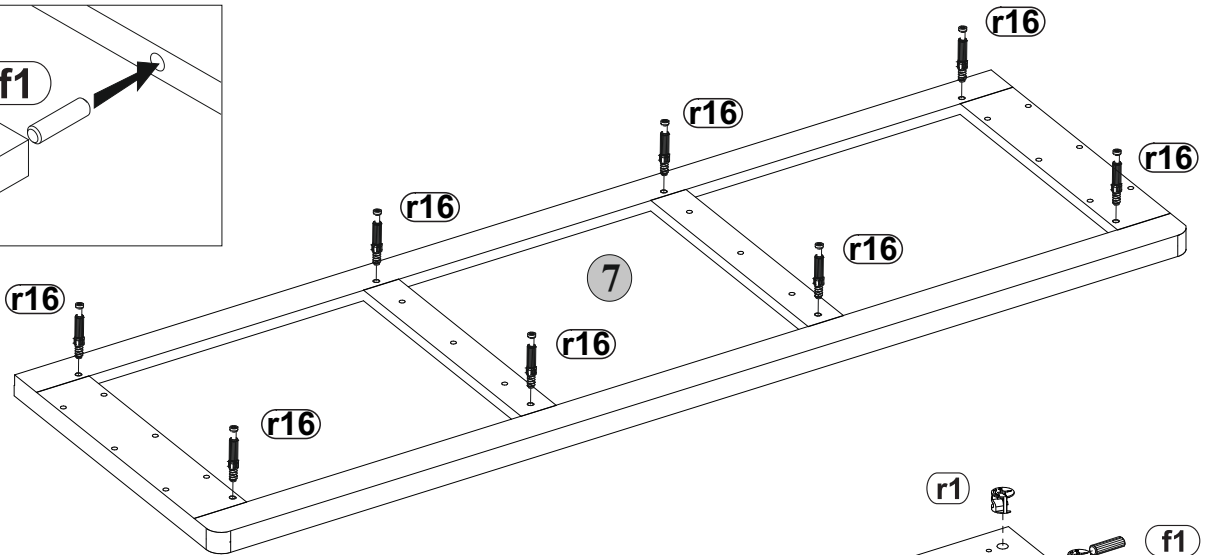
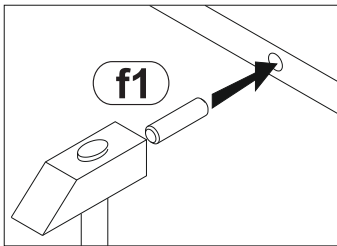
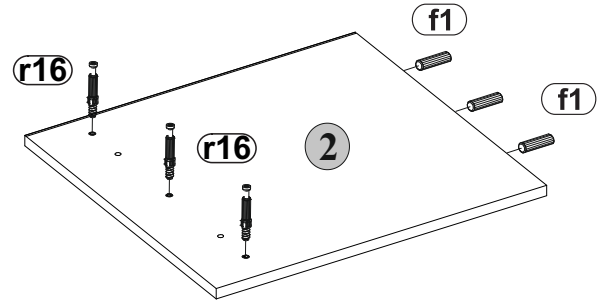
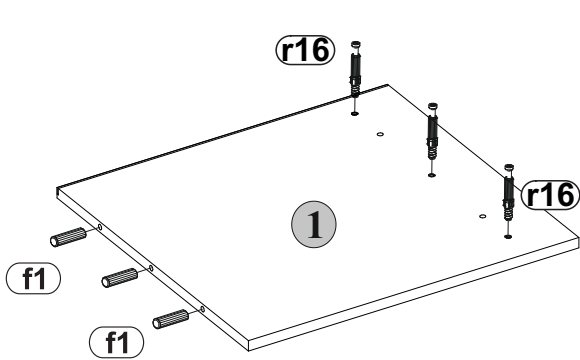
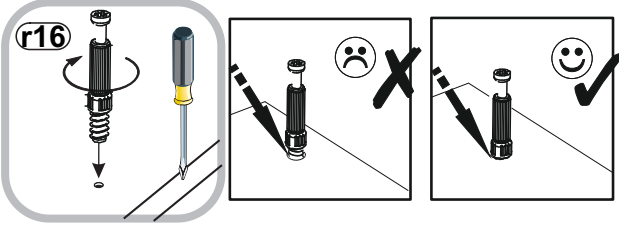


d1 x4	s3 x2	p3 φ3.5x16 mm x16	s1 x16
c77 x2	d6 x5	w400 x2	l1 x60
k1 x6	f1 φ8x30 mm x36	n50 x4	p1 φ3.5x13 mm x50
r1 φ15 #16 x22	y1 x1	r16 x22	s2 x22
			j1 φ4x25 mm x4
			e1 φ6.5x50 mm x16
			z1 x1

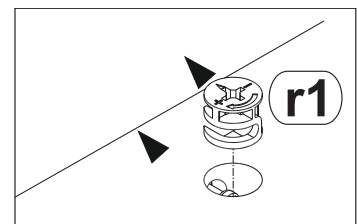
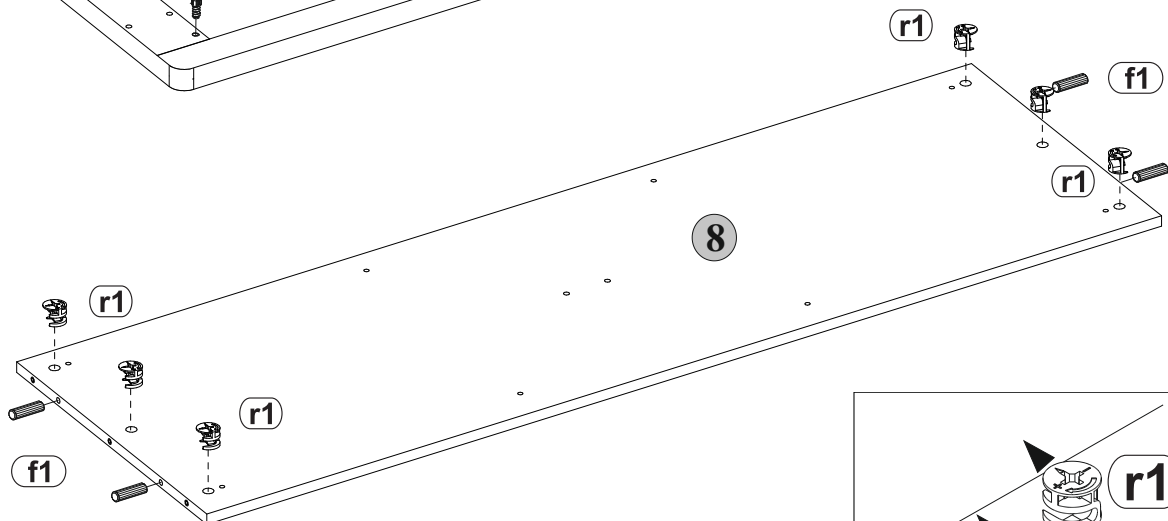
1



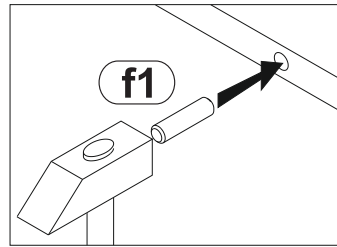
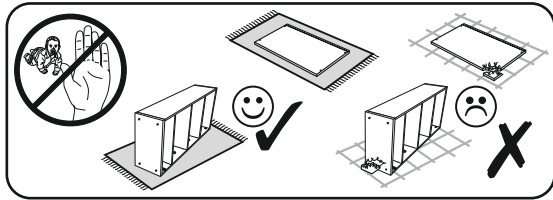
- r1**  $\phi 15 \#16$ x6
- r16**  x14
- f1**  $\phi 8 \times 30$ mm x10



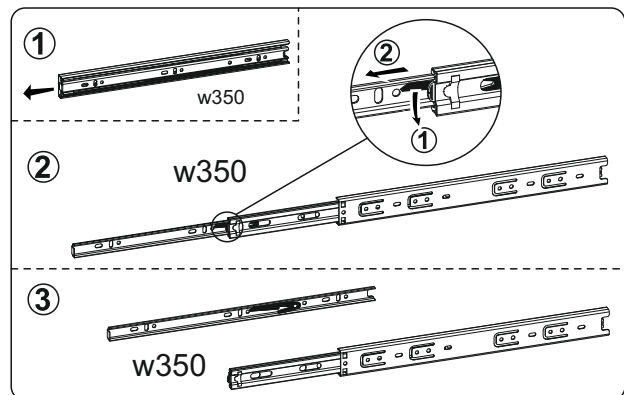
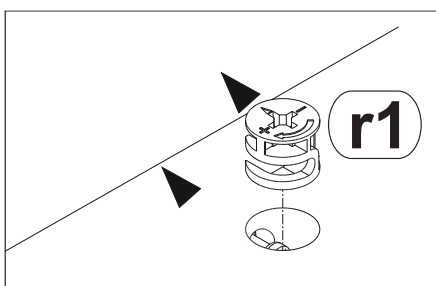
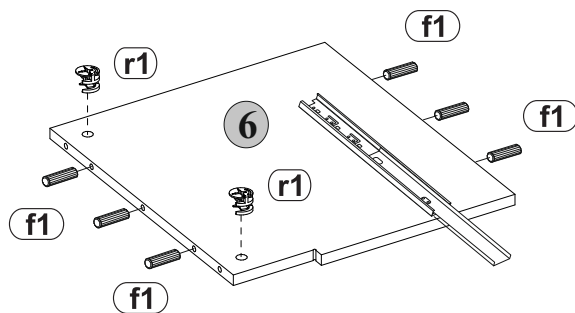
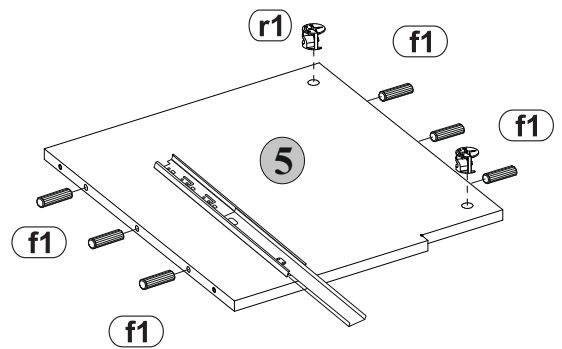
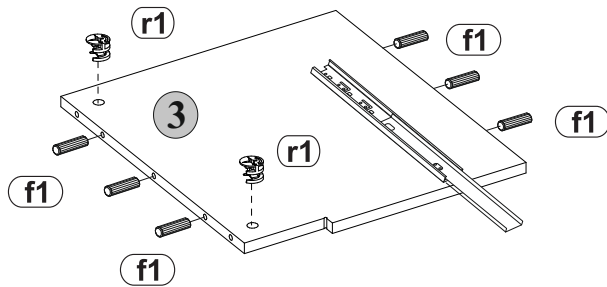
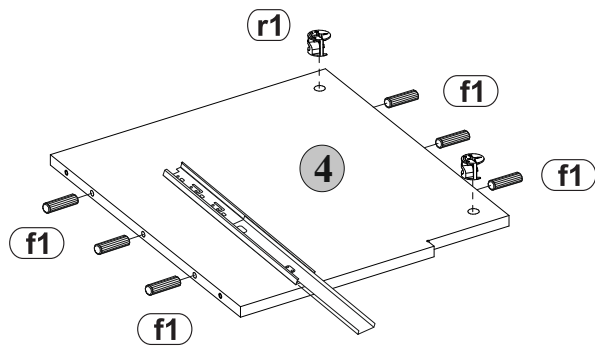
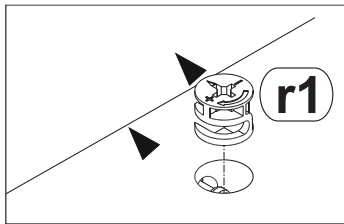
2



3

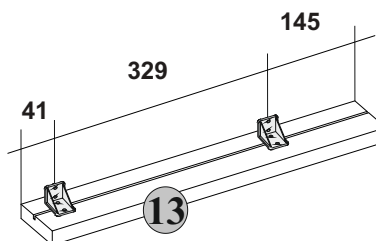
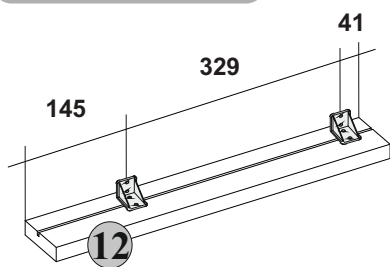
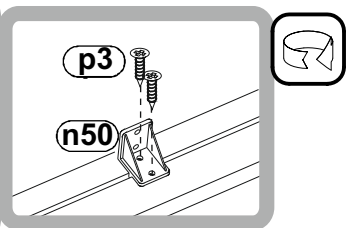
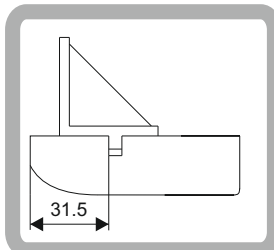
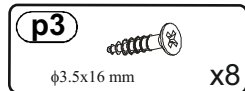
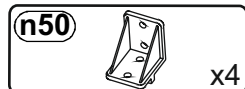
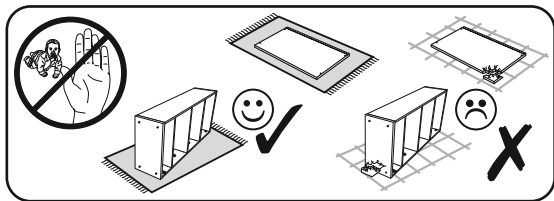


- r1** $\phi 15 \#16$ x8
- f1** $\phi 8 \times 30$ mm x24
- w400** x2
- p1** $\phi 3.5 \times 13$ mm x12

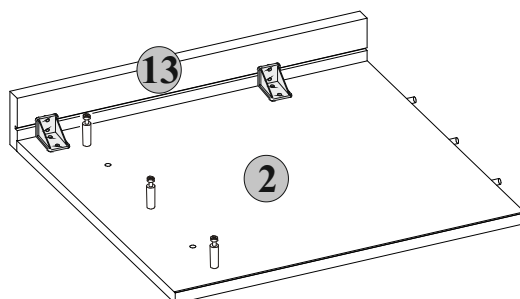
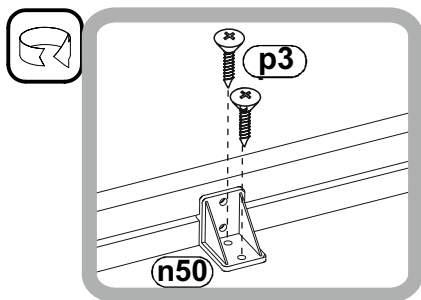
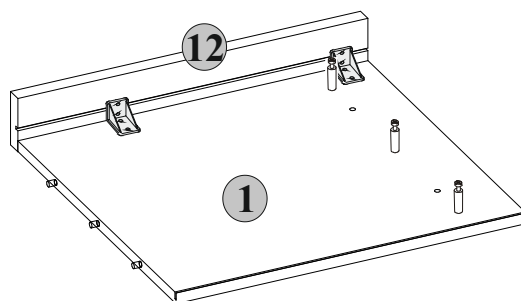
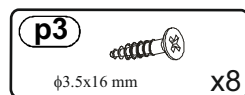


3

4

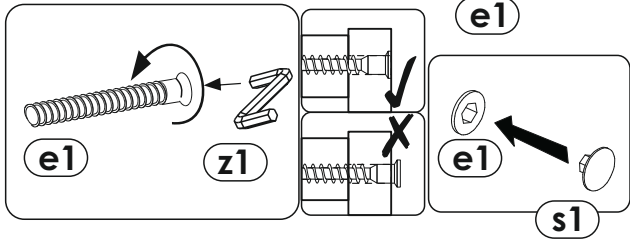
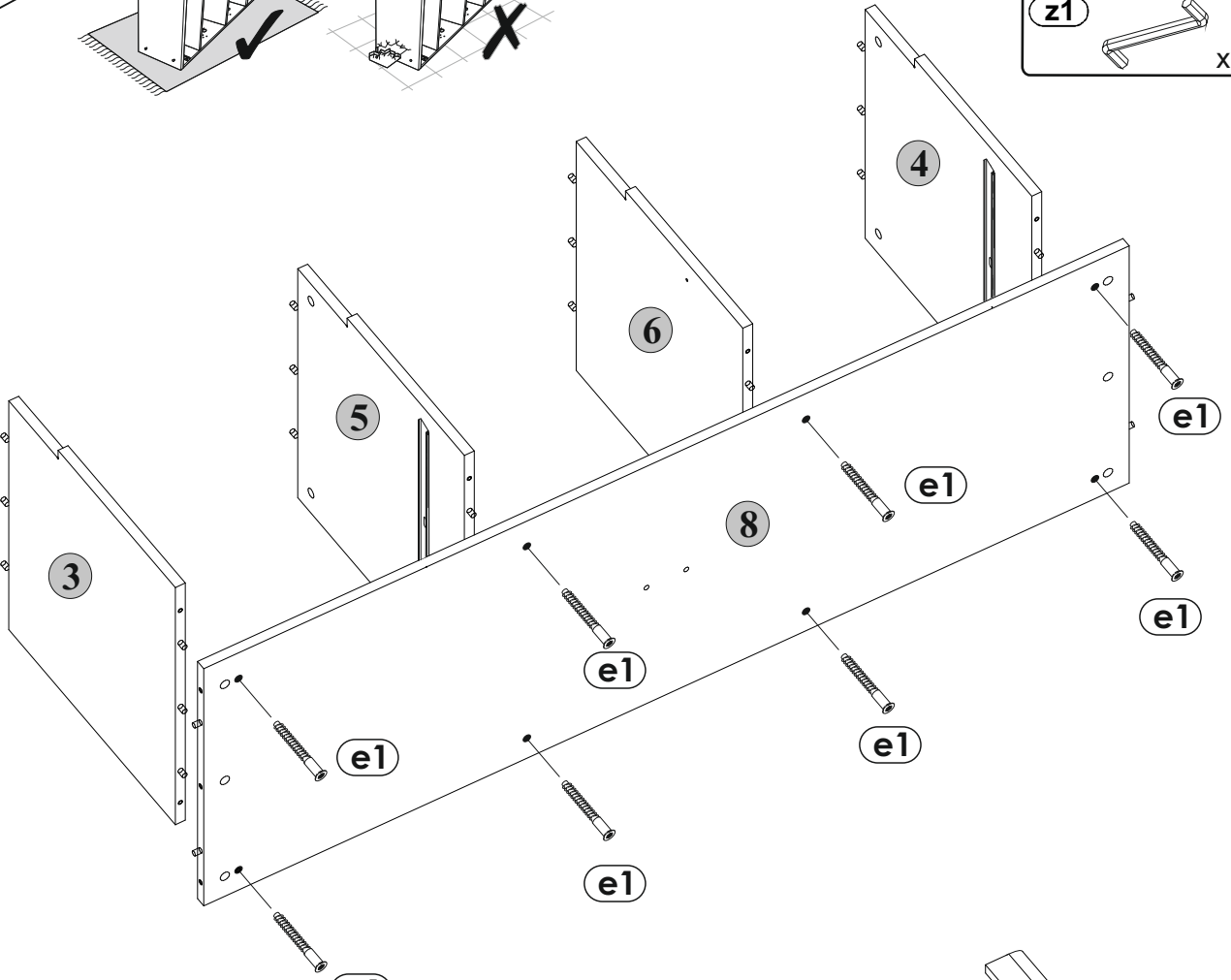
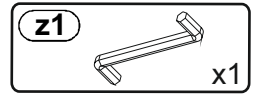
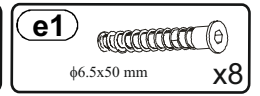
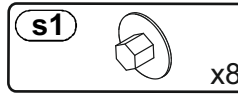
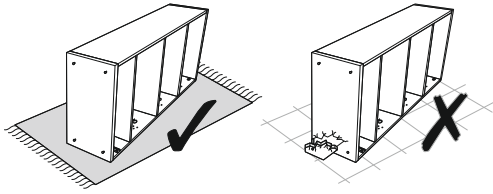


5

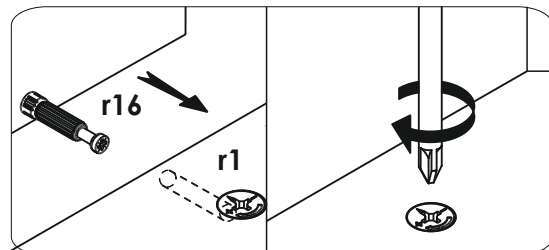
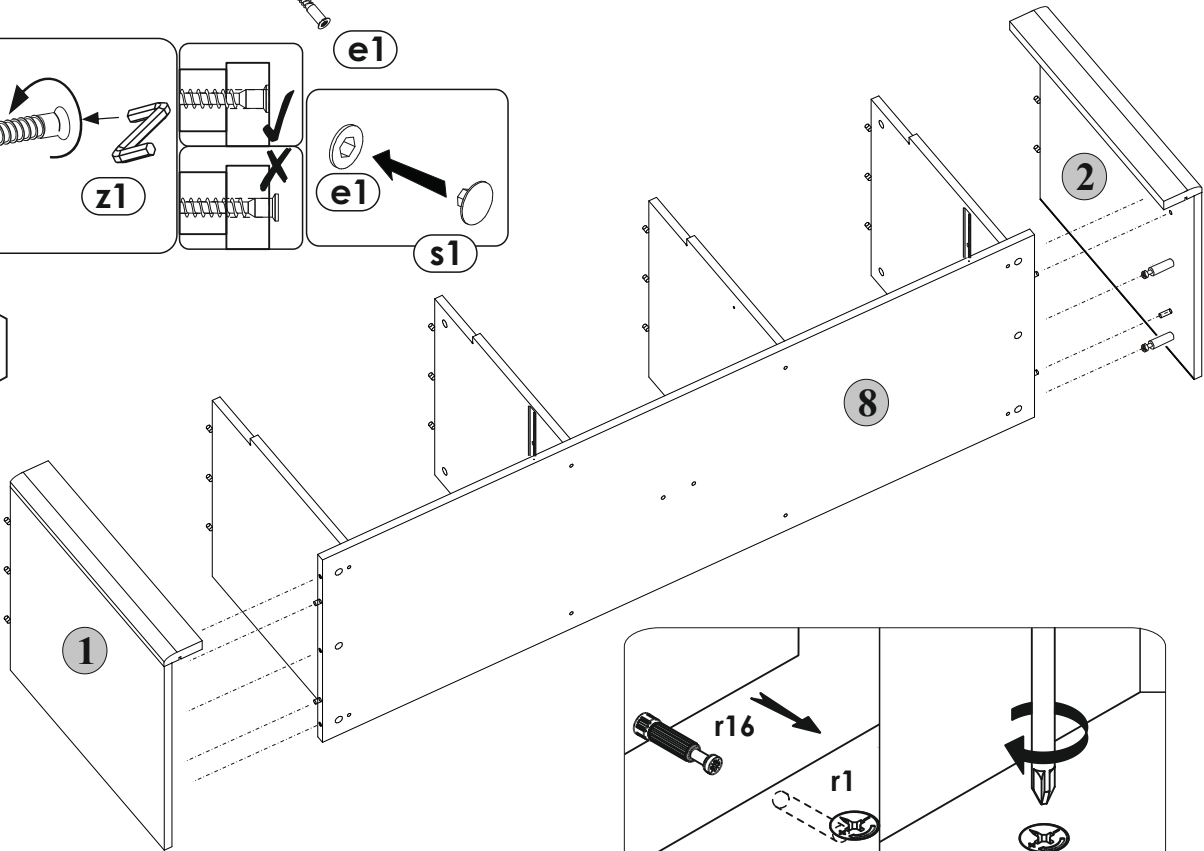


4

6

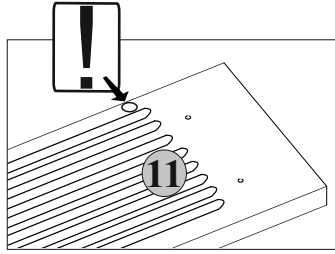



7

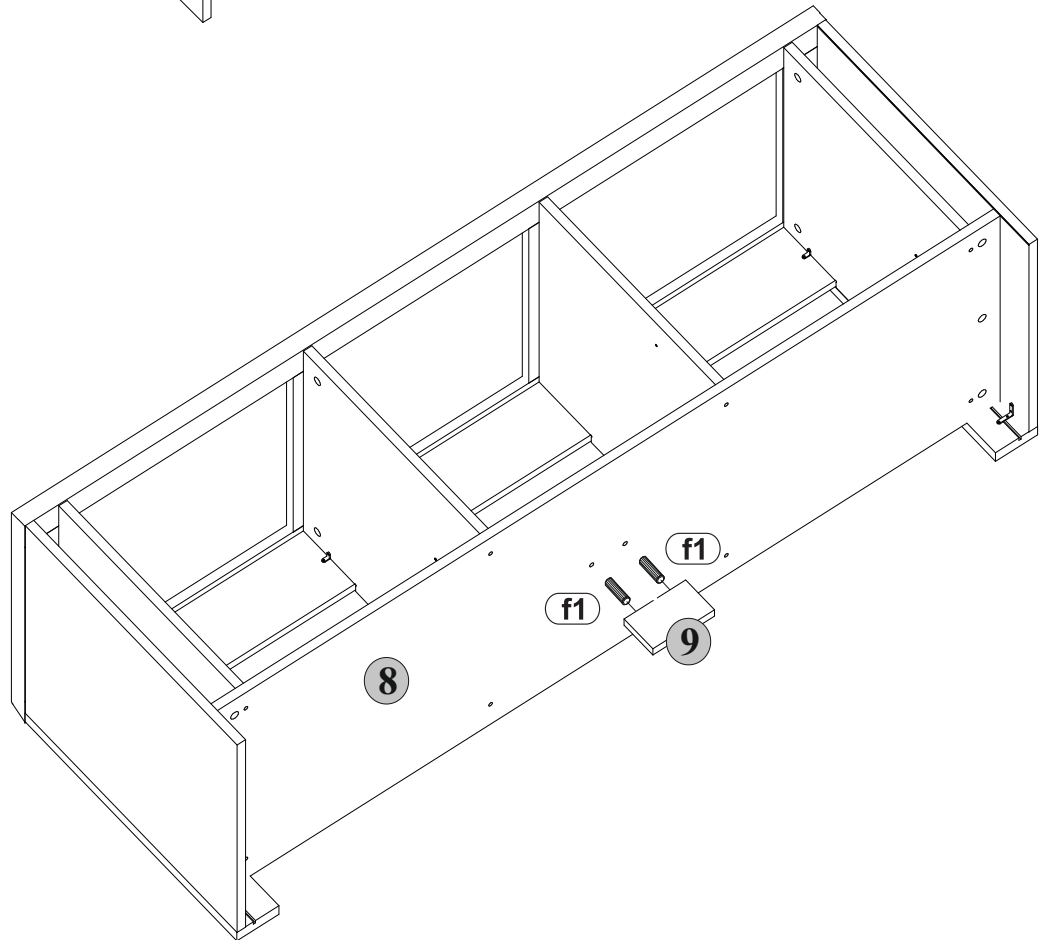
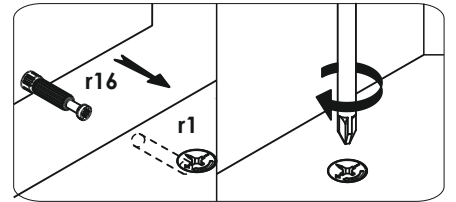
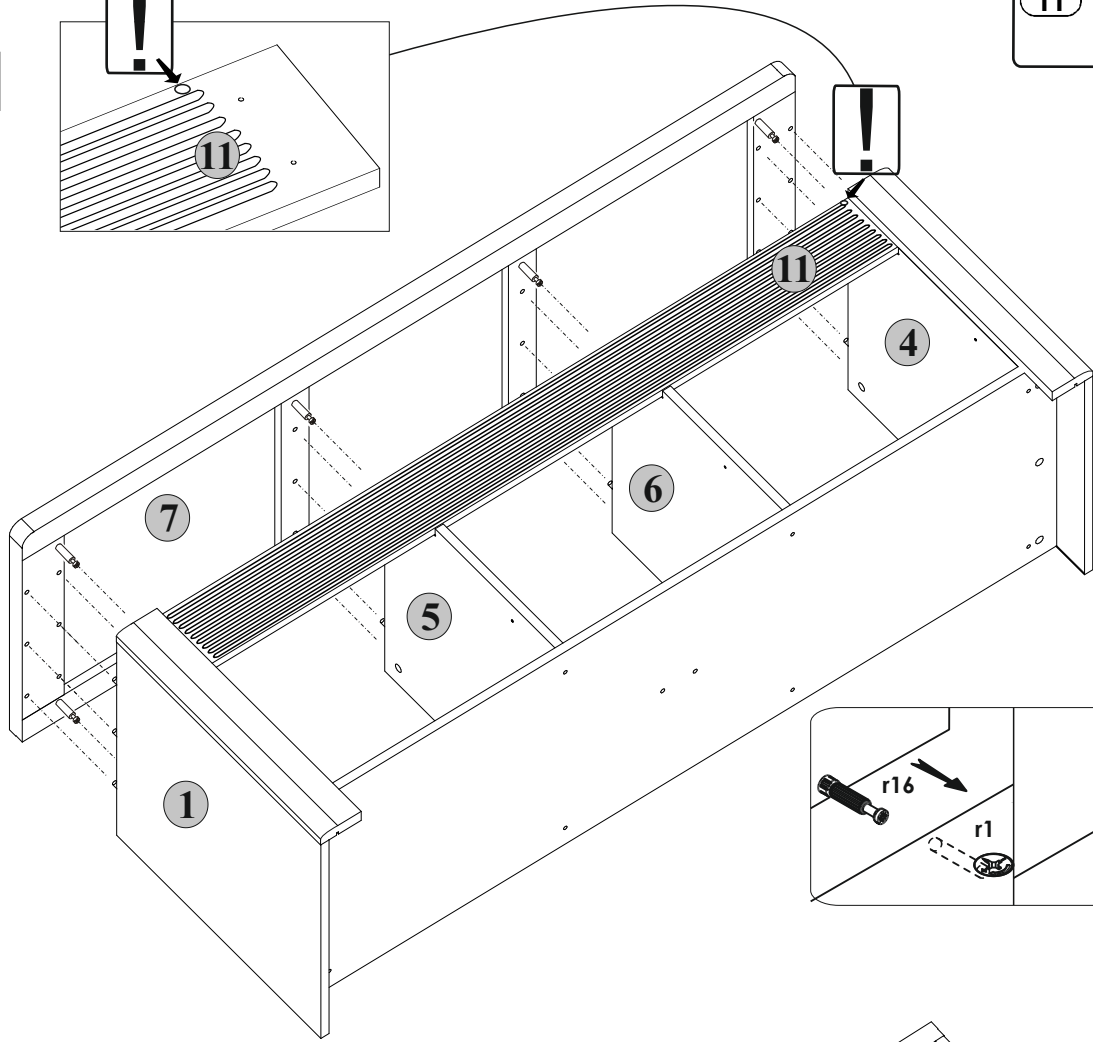


5

8




f1  x2
φ8x30 mm




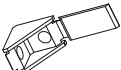
6

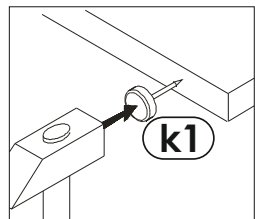
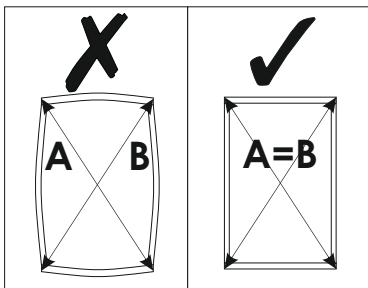
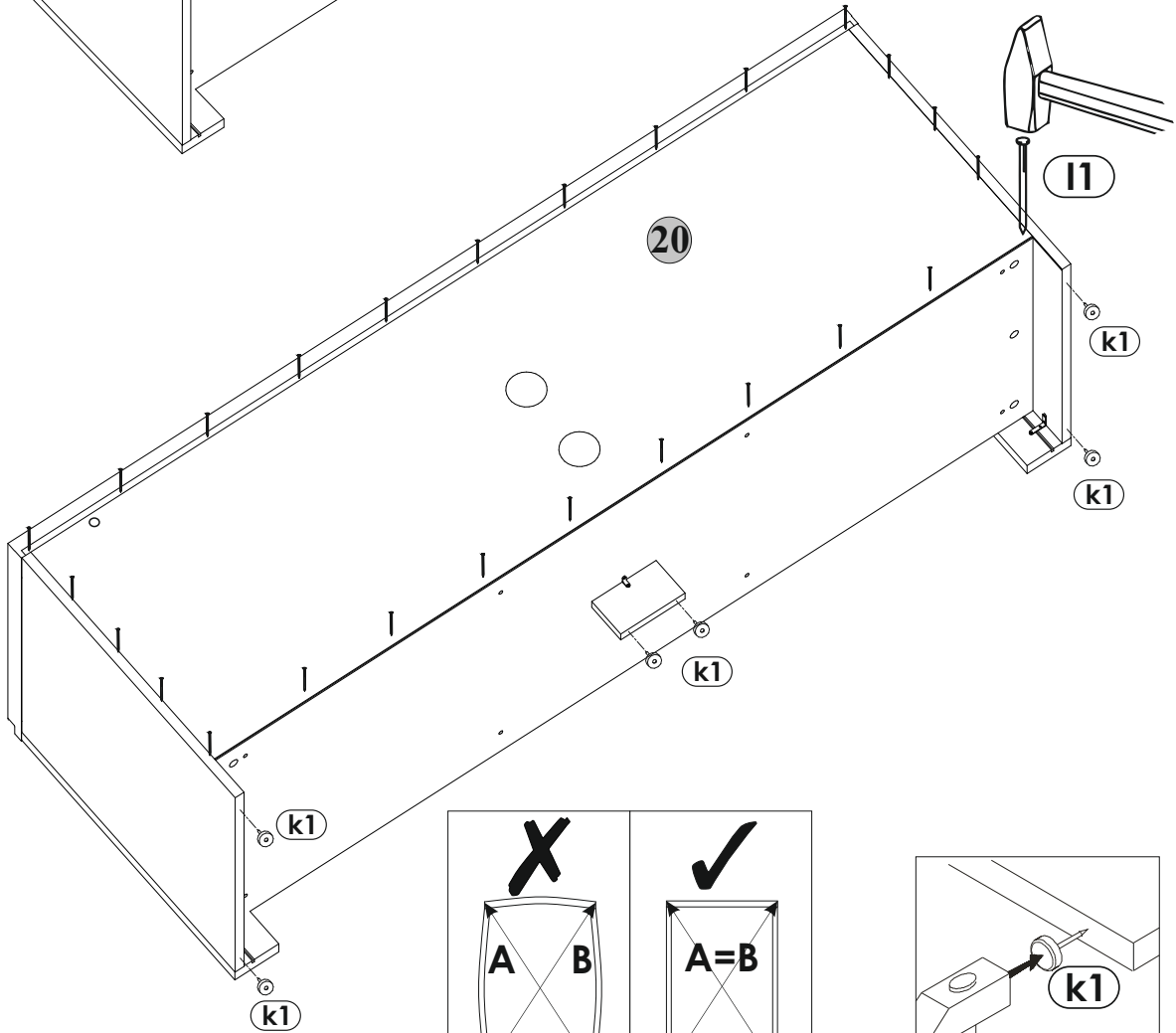
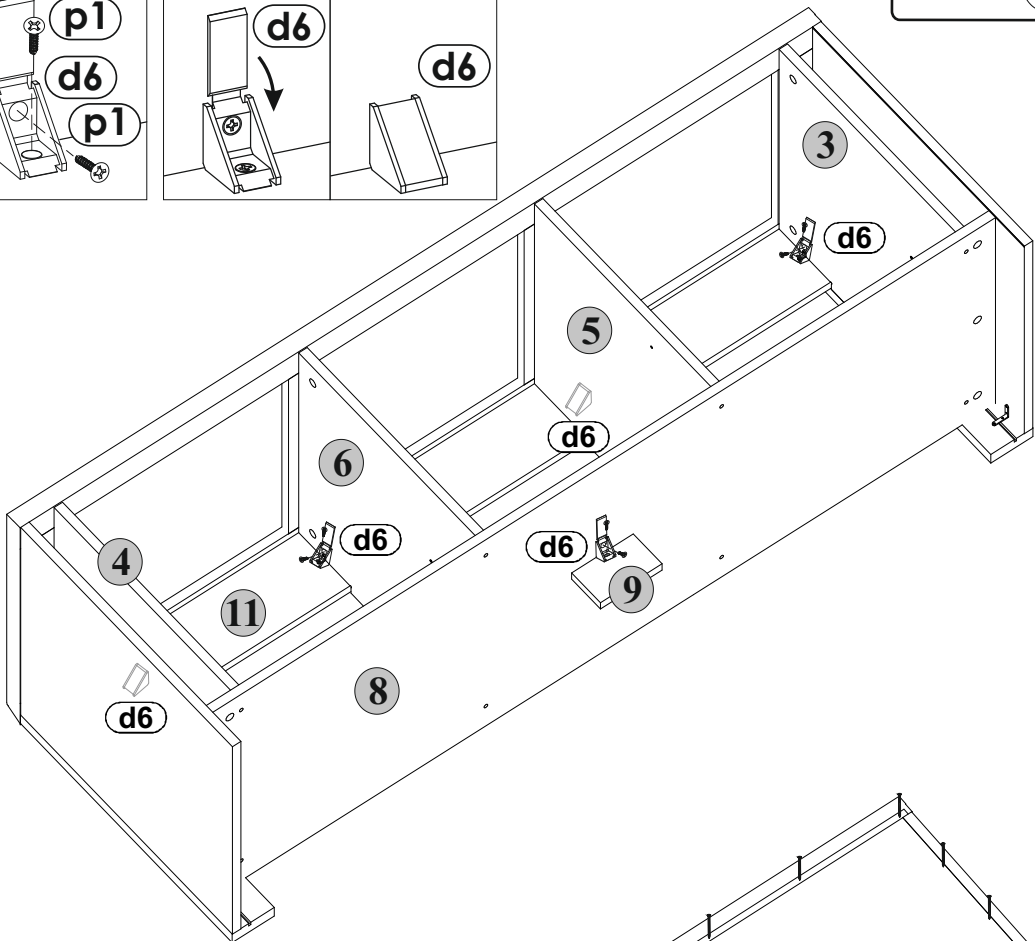
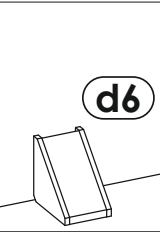
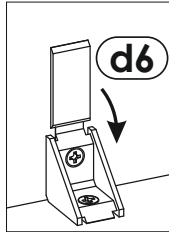
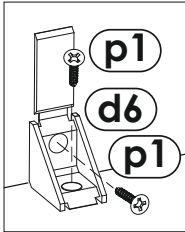
9

l1  x60

p1  $\phi 3.5 \times 13$ mm x10

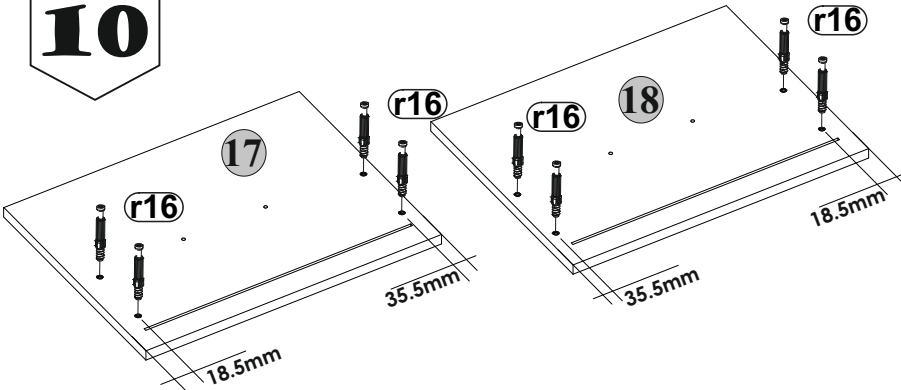
k1  x6

d6  x5

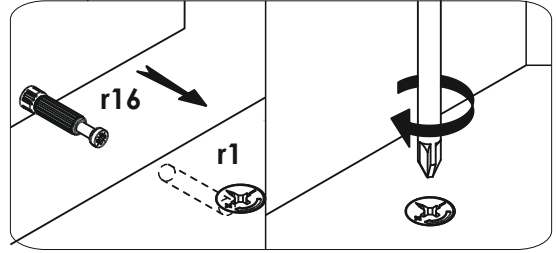
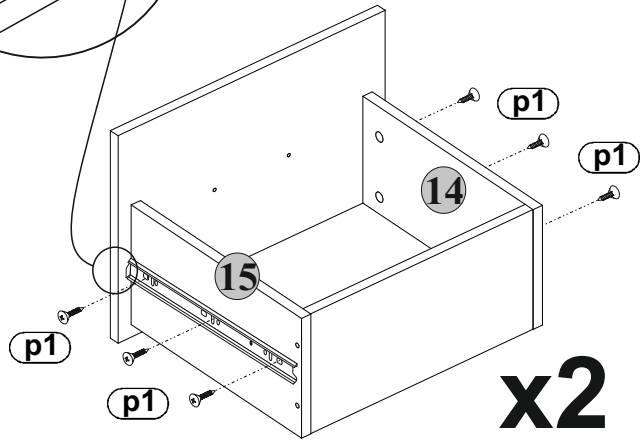
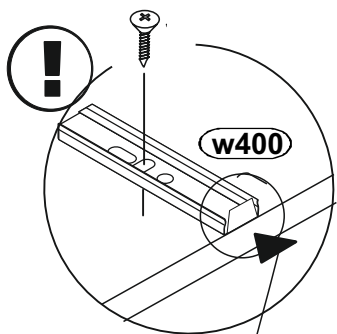
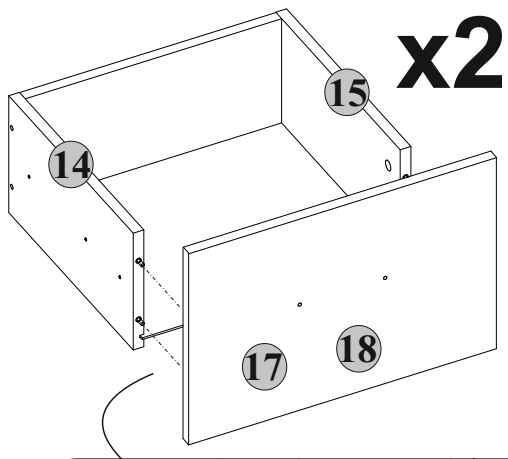
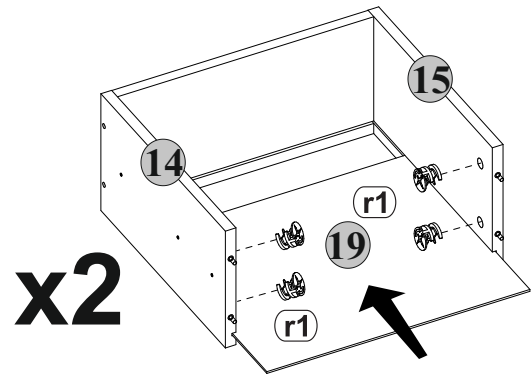
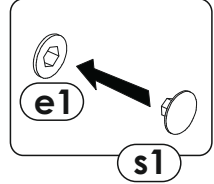
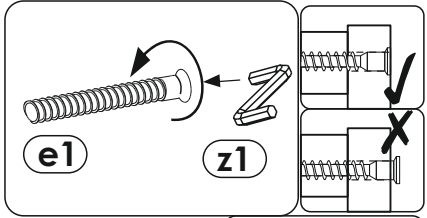
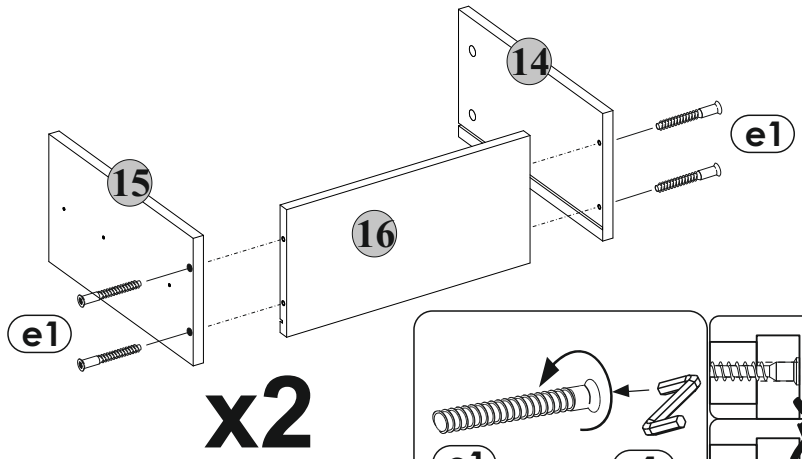
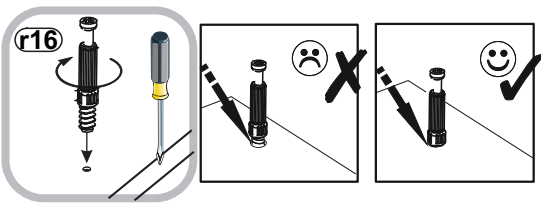


7

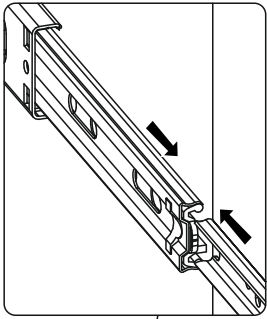
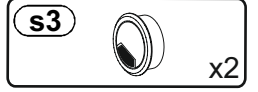
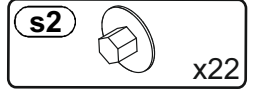
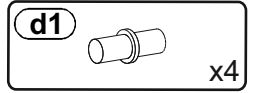
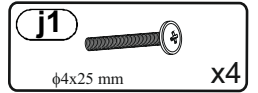
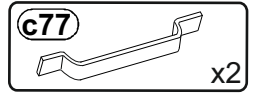
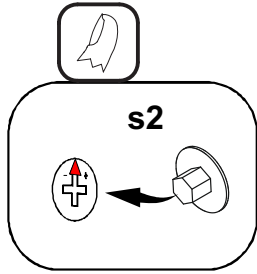
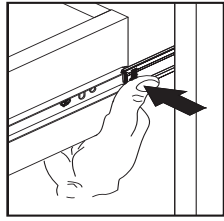
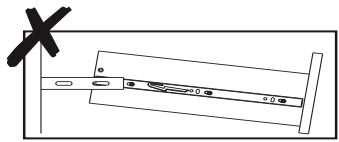
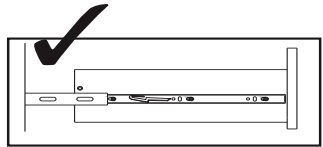
10



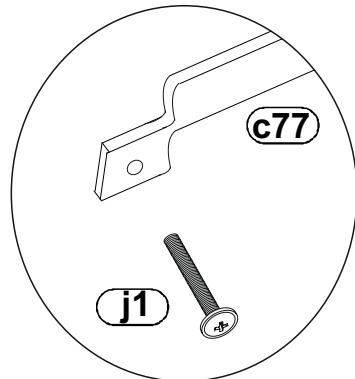
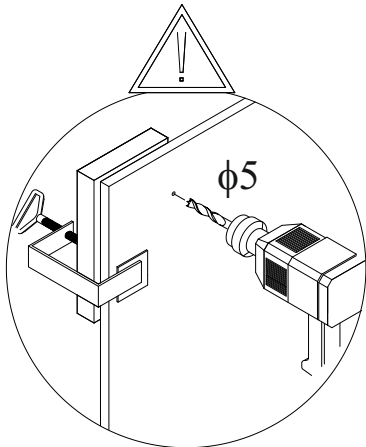
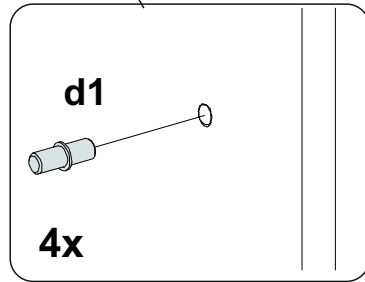
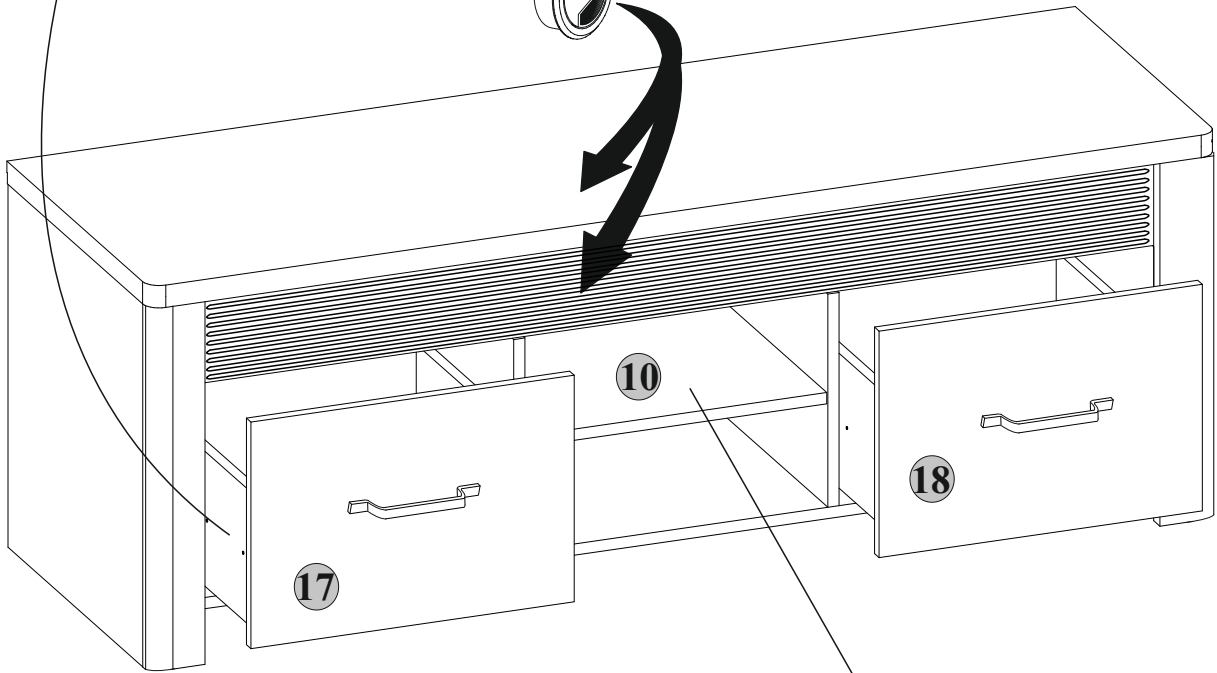
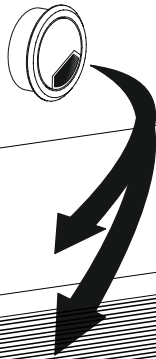
- e1** $\phi 6.5 \times 50$ mm x8
- r1** $\phi 15$ #16 x8
- z1** x1
- r16** x8
- s1** x8
- p1** $\phi 3.5 \times 13$ mm x12



11

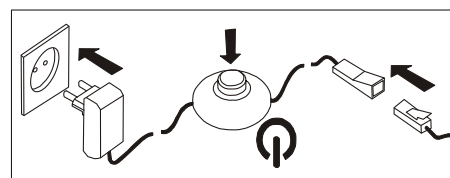
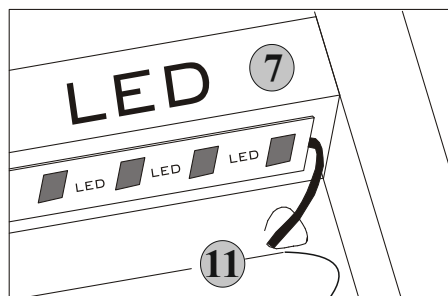
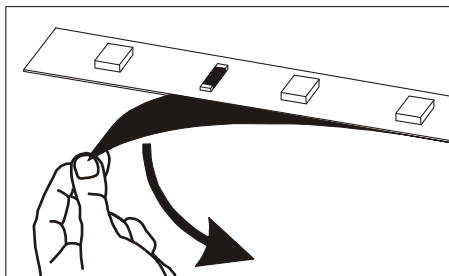
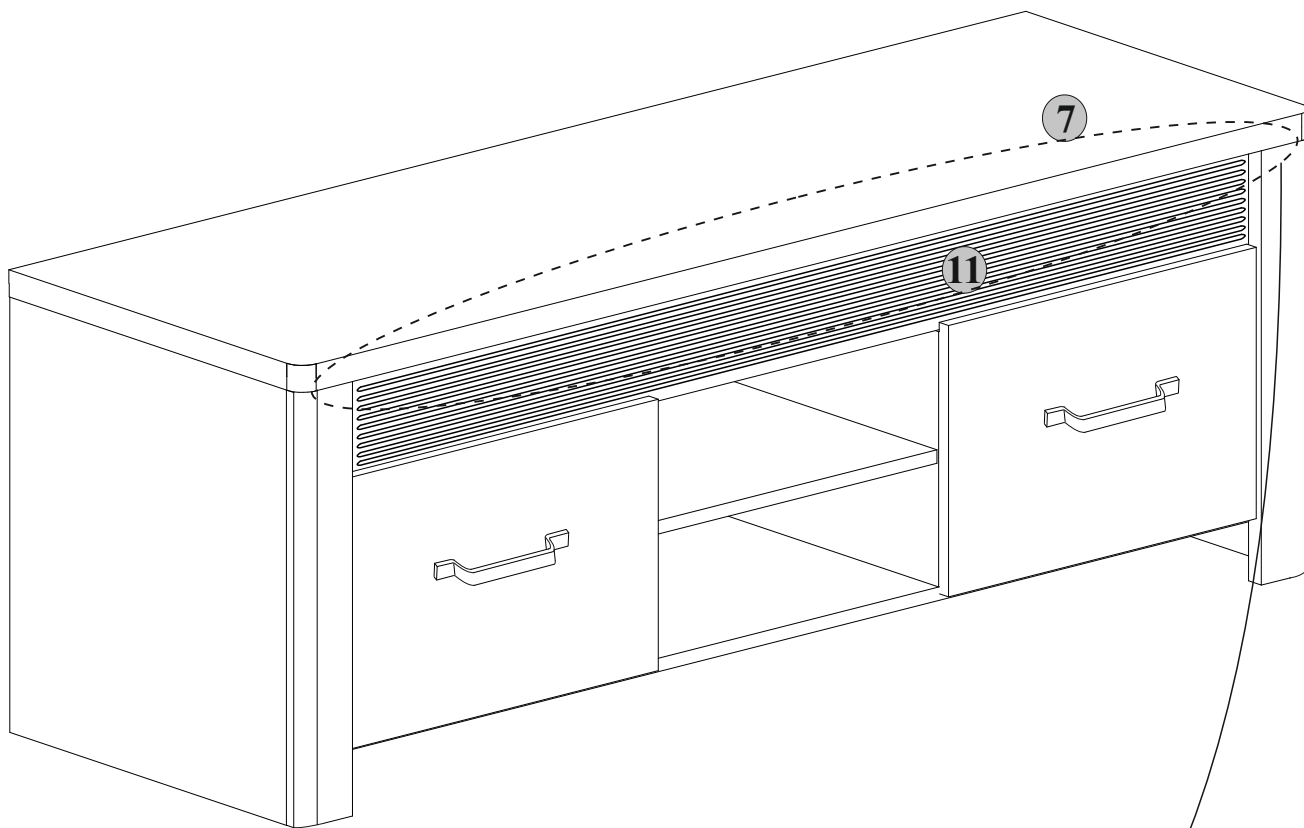
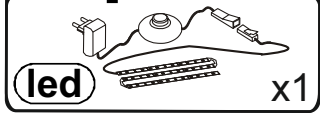


s3



OPTION

Option



10