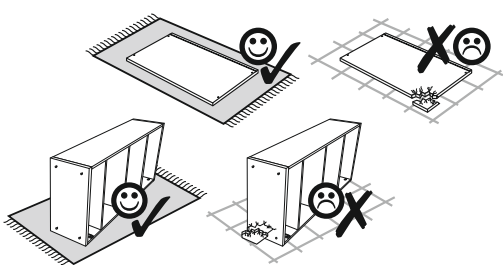
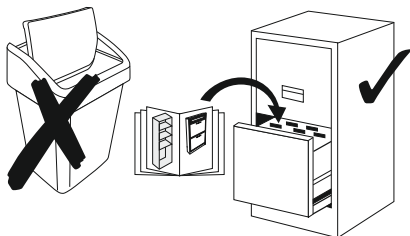
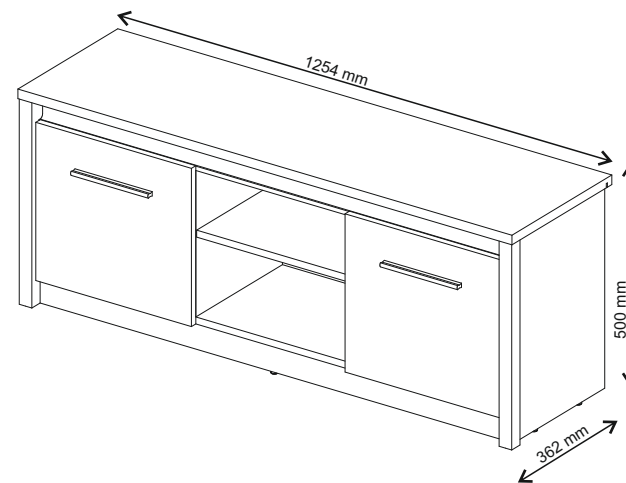
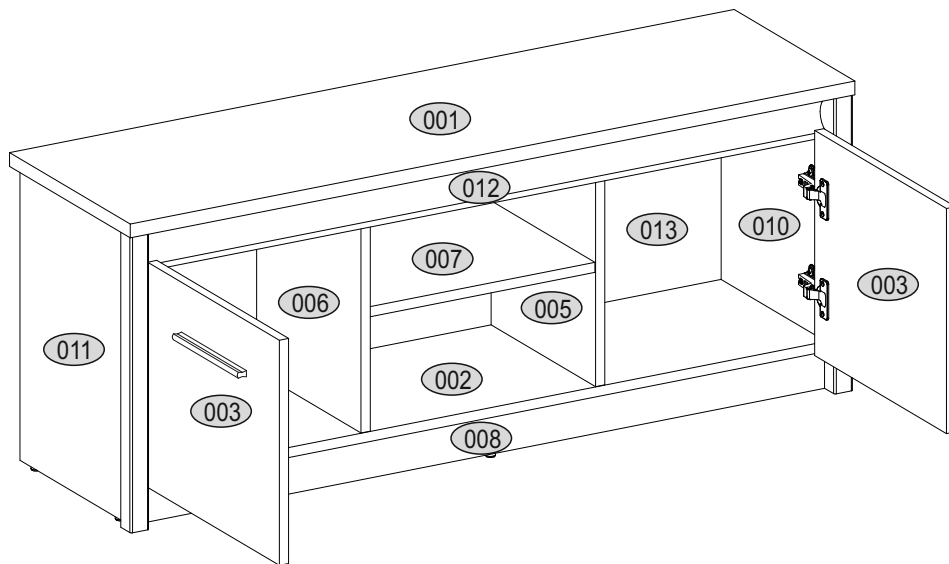
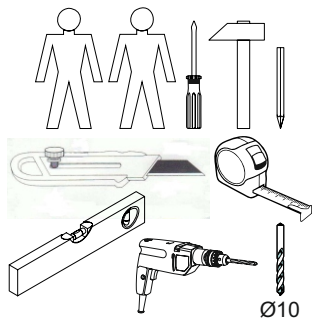
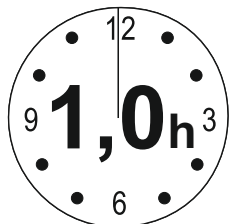










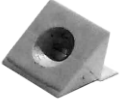
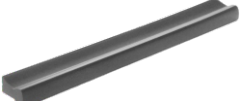






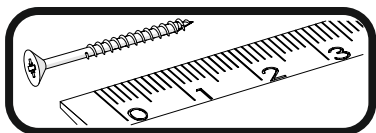
Installation manual

AYSON: szafka RTV 2d/125

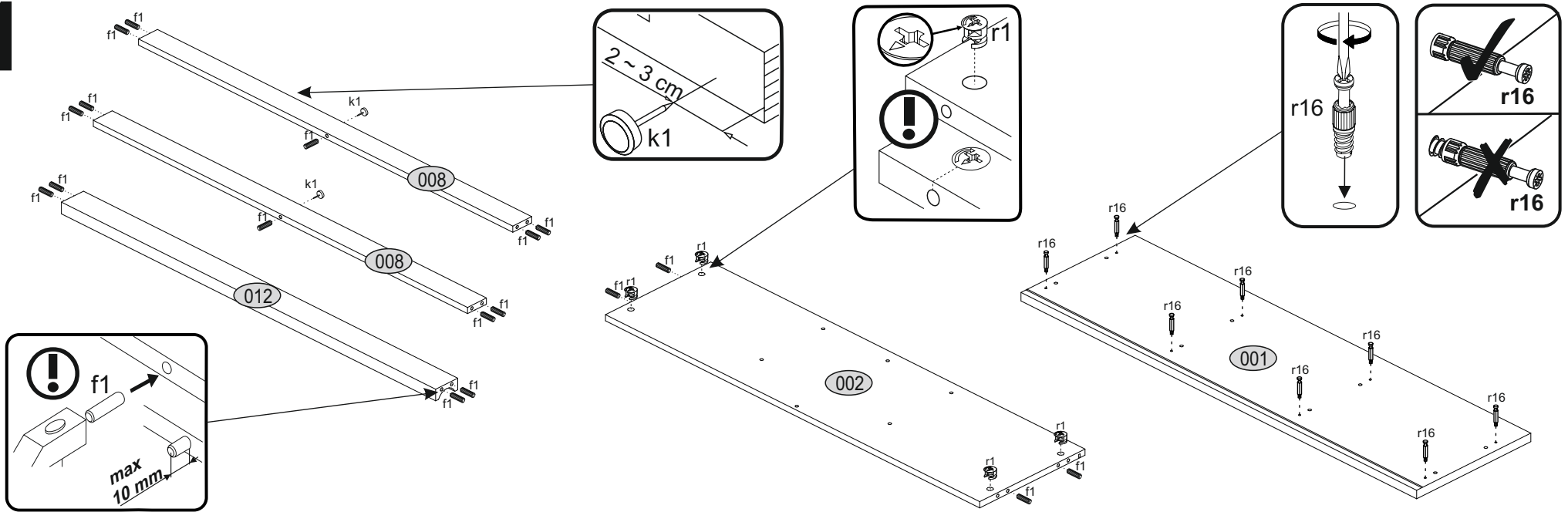


Code	Dimensions			Package
001	1254	362	22	1 / 1
002	1186	334	16	1 / 1
003	363	395	16	2 / 1
005	396	313	16	1 / 1
006	396	313	16	1 / 1
007	390	311	16	1 / 1
008	1186	60	16	2 / 1
010	472	360	16/32	1 / 1
011	472	360	16/32	1 / 1
012	1186	60	30	1 / 1
013	417	1203	3	1 / 1
accessories				1 / 1

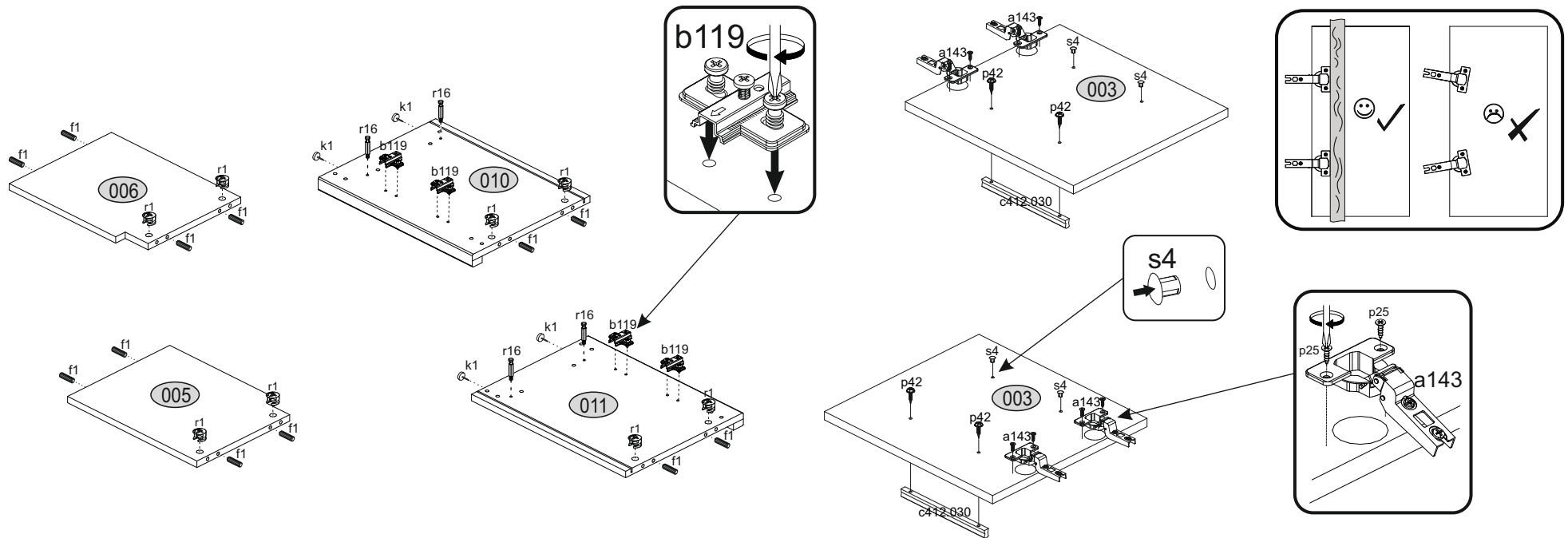
<p>x4 e1</p> <p>Ø 7x50mm</p> 	<p>x12 r1</p> <p>Ø 15x12mm</p> 	<p>x12 r16</p> 	<p>x30 f1</p> <p>Ø 8x30mm</p> 
<p>x4 a143</p> 	<p>x4 b119</p> 	<p>x14 p25</p> <p>Ø 3,5x16n</p> 	<p>x4 d1</p> <p>Ø 5x17 mm</p> 
<p>x6 l2</p> 	<p>x2 c412.030</p> 	<p>x4 p42</p> <p>Ø 3,5x25mm</p> 	<p>x6 k1</p> 
<p>x4 s4</p> 	<p>x1 z1</p> 		



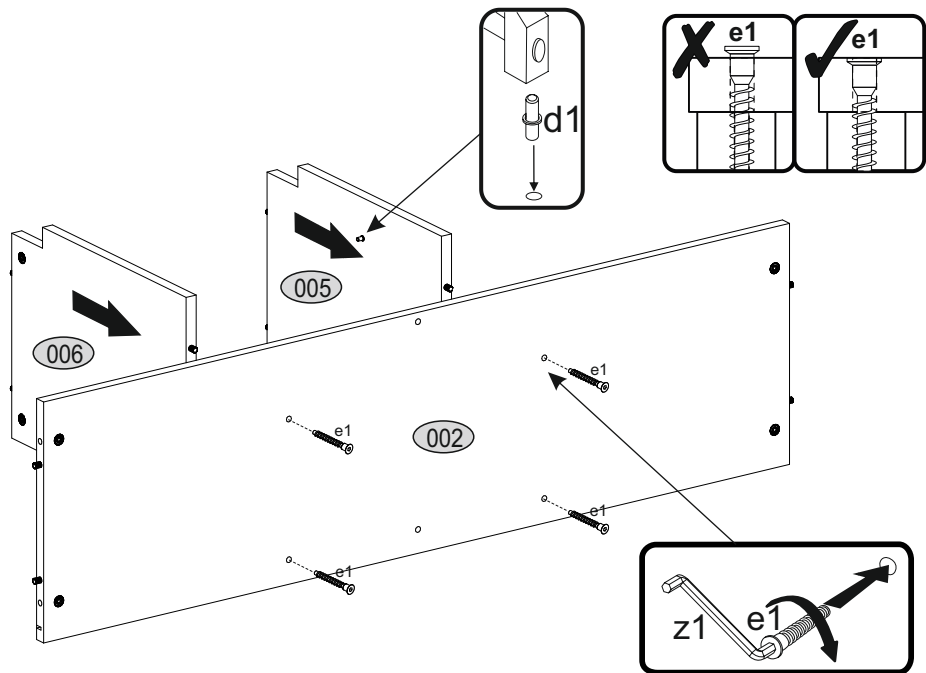
1



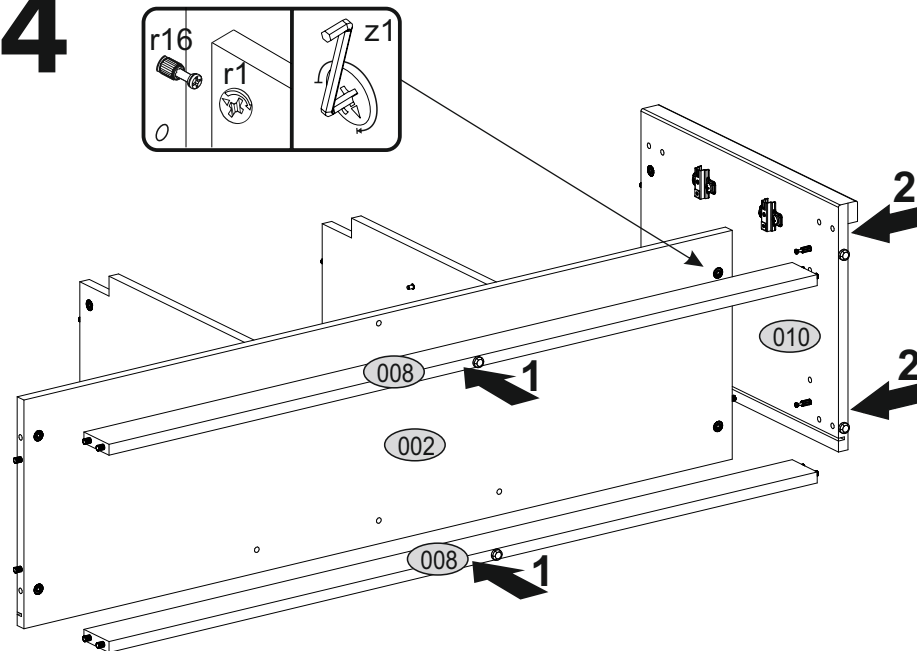
2



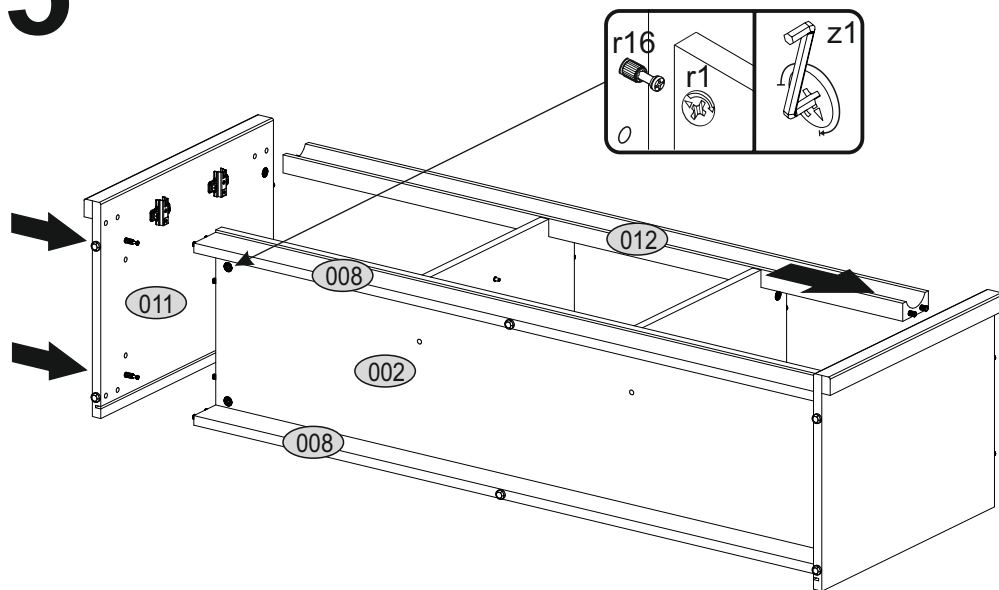
3



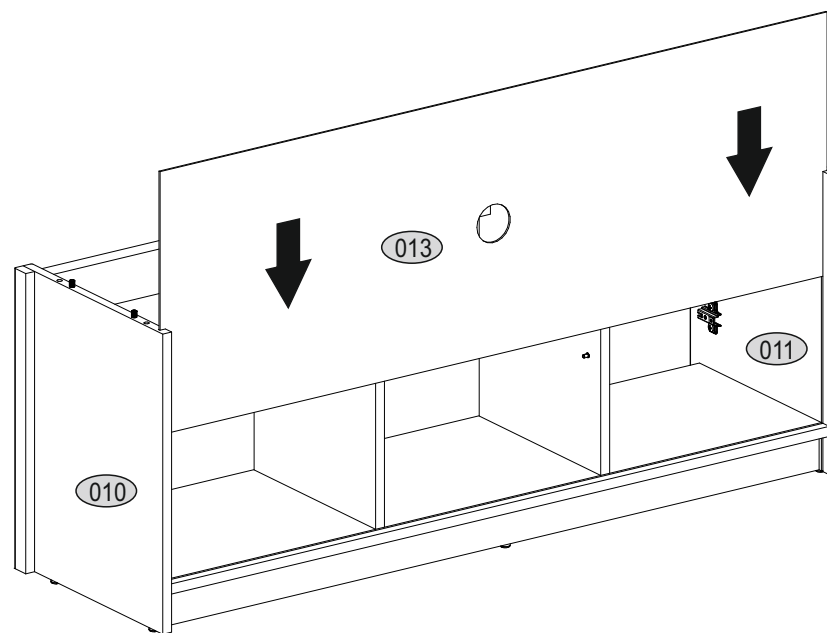
4



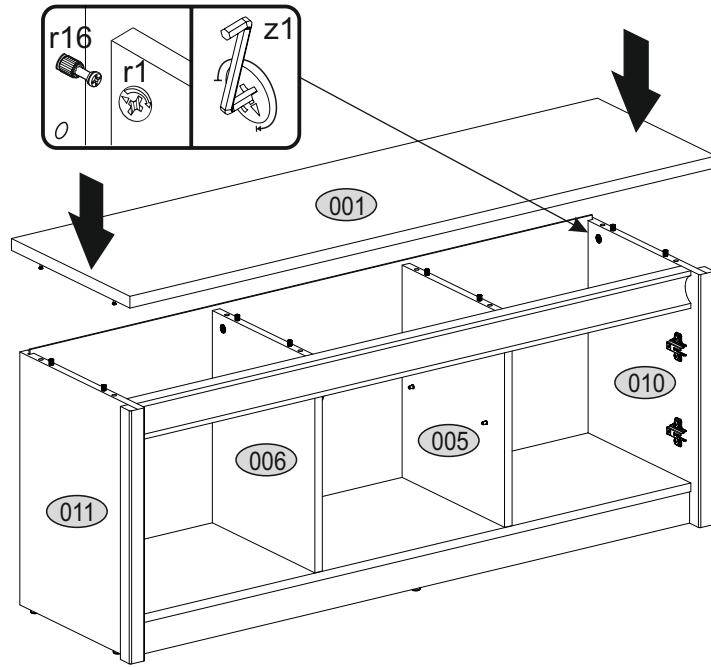
5



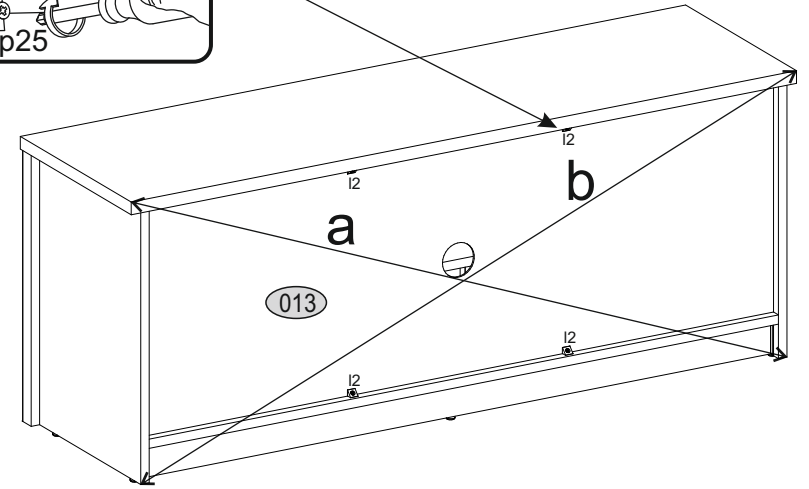
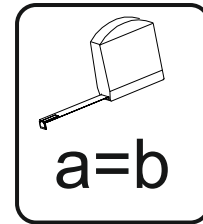
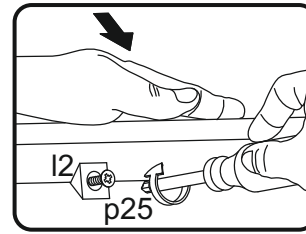
6



7



8



9

