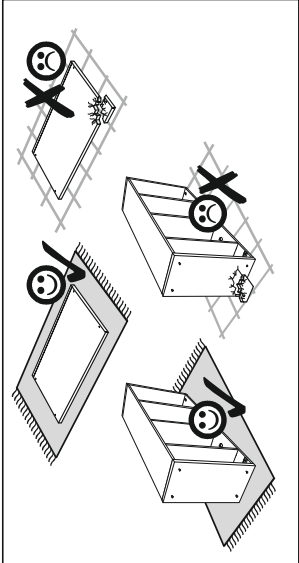
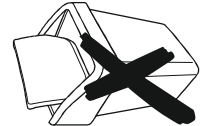
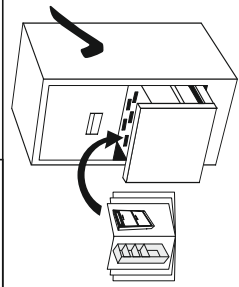
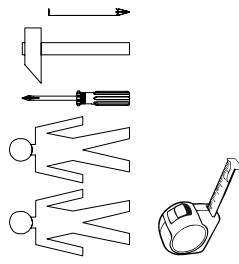
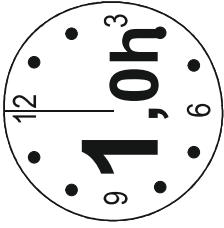
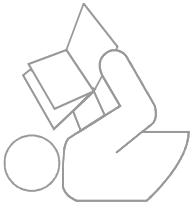


Installation manual

NORTON: LOZ_160_140_120



LOZ_160

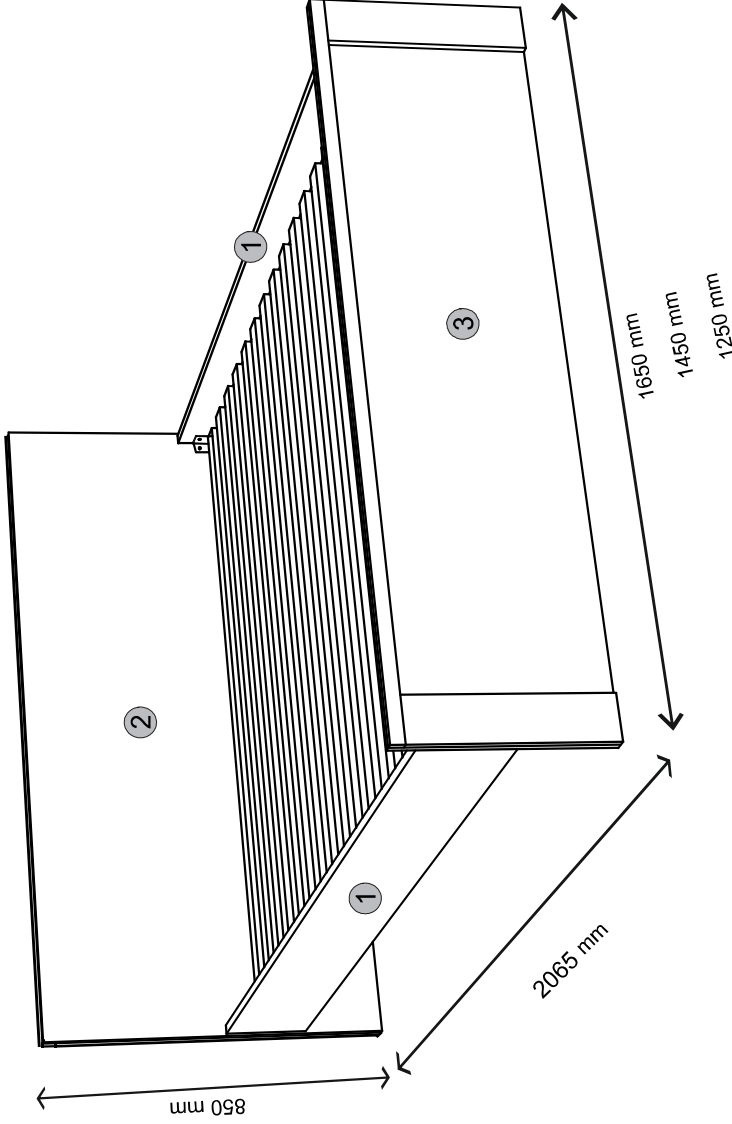
Element symbol	Dimensions			Code	Package
	200	2000	22		
1	200	2000	22	NS-101A	2/2
2	850	1654	16/32	NS-103A	1/1
3	455	1654	16/32	NS-104A	1/1
4	1880	30	30		2/2
5	1984	70	27		2/2
6	285	70	27		2/2
7	786	2000	20		2/2

LOZ_140

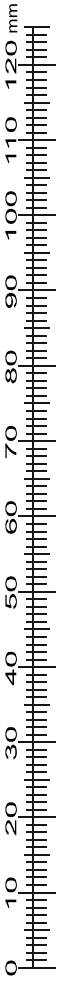
Element symbol	Dimensions			Code	Package
	200	2000	22		
1	200	2000	22	NS-101A	2/2
2	850	1454	16/32	NS-130A	1/1
3	455	1454	16/32	NS-131A	1/1
4	1880	30	30		2/2
5	1984	70	27		2/2
6	285	70	27		2/2
7	686	2000	20		2/2

LOZ_120

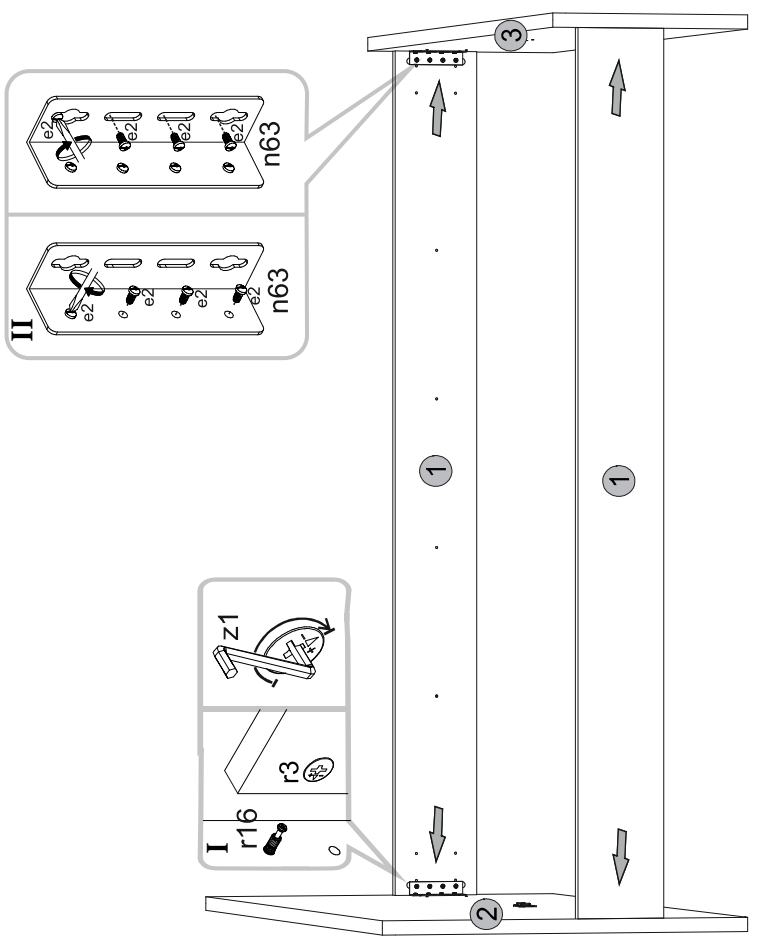
Element symbol	Dimensions			Code	Package
	200	2000	22		
1	200	2000	22	NS-101A	2/2
2	850	1254	16/32	NS-132A	1/1
3	455	1254	16/32	NS-133A	1/1
4	1880	30	30		2/2
5	1984	70	27		2/2
6	285	70	27		2/2
7	686	2000	20		2/2



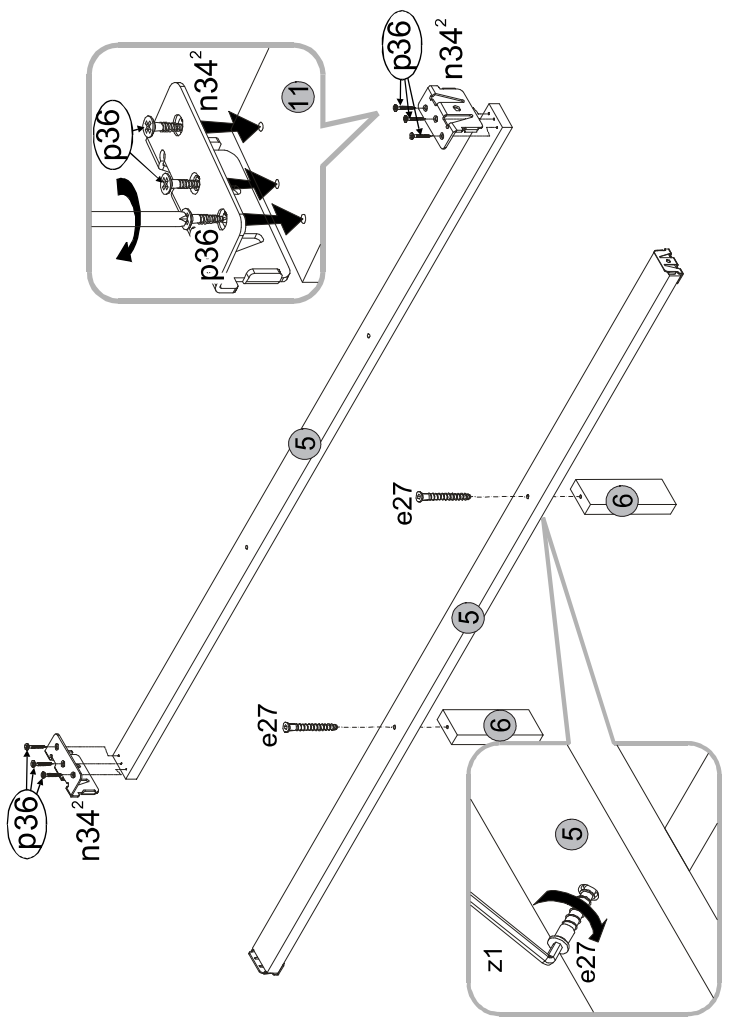
12x	φ4x5 mm	p62	12x	φ4x30 mm	p21	8x	φ5x, 1.2mm	r3	8x	r16
8x	φ4x3 mm	e3	1x	z1	6x	2x	φ4x2, 2mm	p36	2x	e27
32x	φ6x3 mm	e2	2x	n34	6x	2x	φ7x, 70 mm	k1	2x	n34
4x	3.0x3.0x2.0 mm	n63	12x	f1	φ8x30 mm					



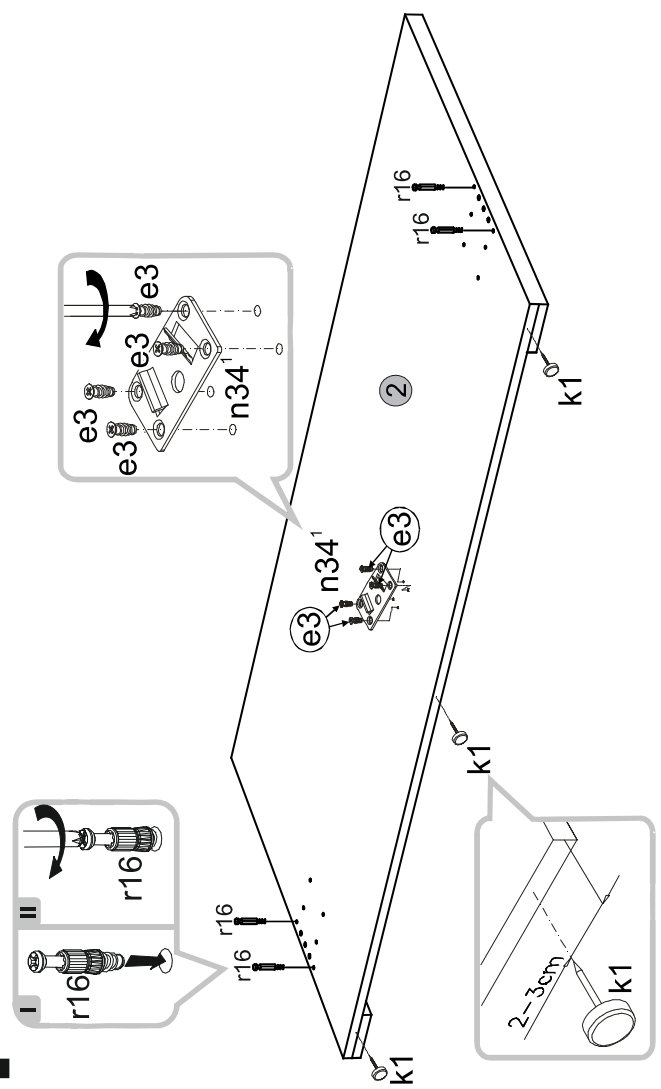
3



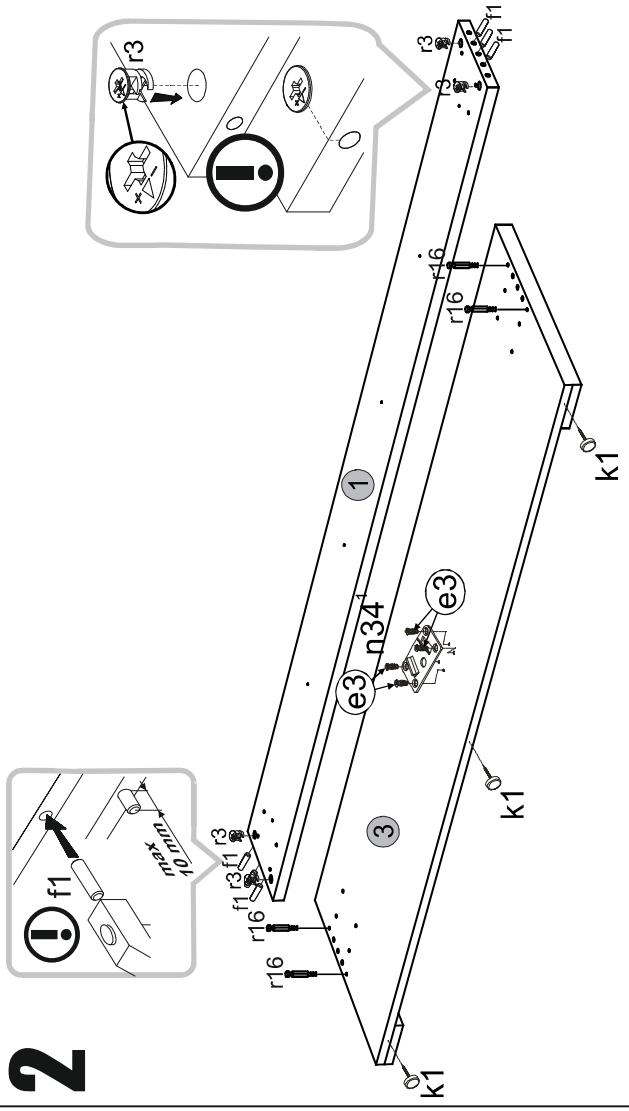
4

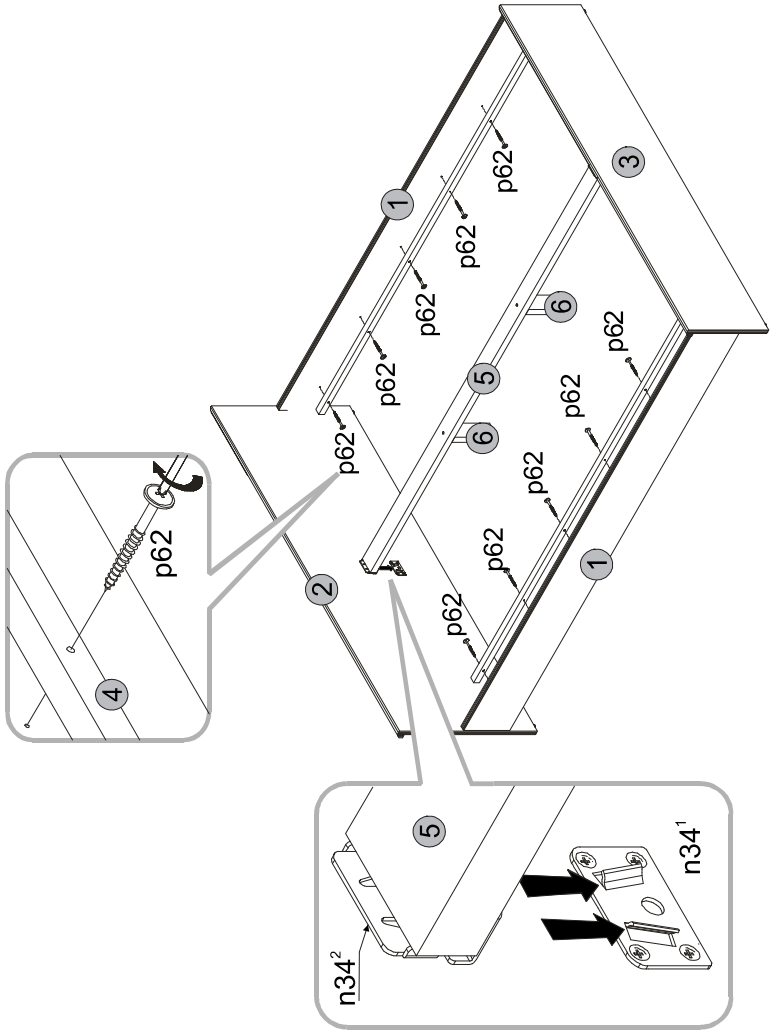


1

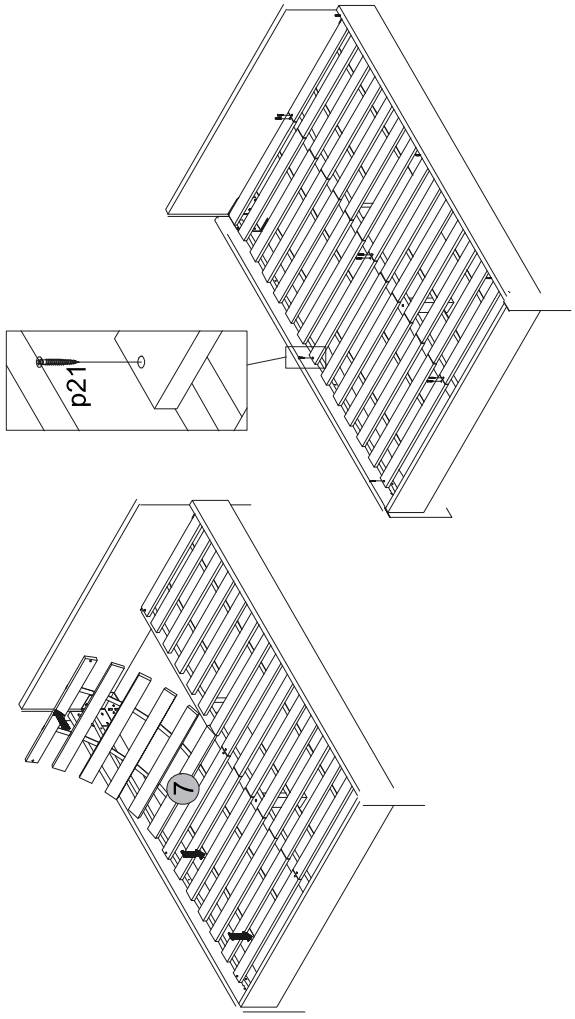


2





5



6

