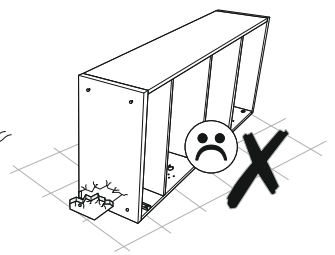
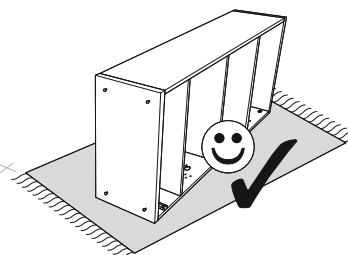
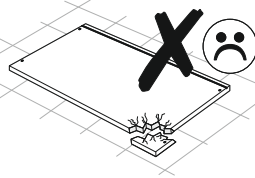
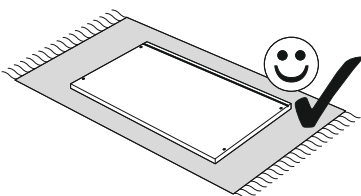
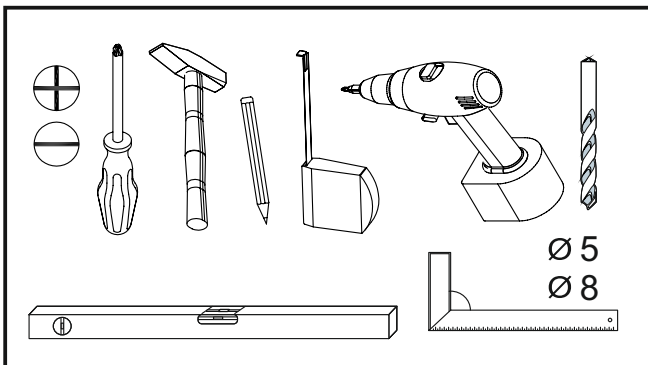
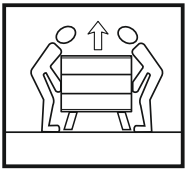
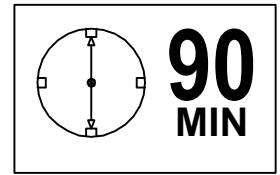
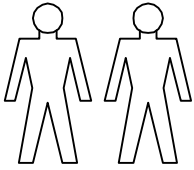



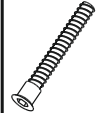






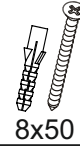

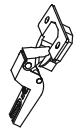


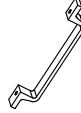

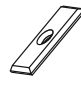

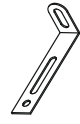
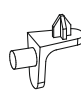

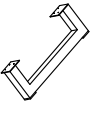

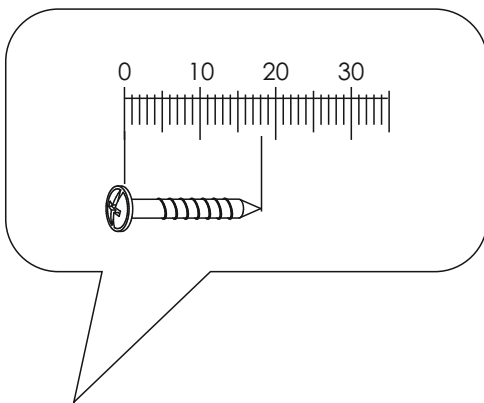


Bari Tall cabinet 2D/1Dr



Bari Tall cabinet 2D/1Dr


A0  ø8x30 x34	B0  ø 7mm x6	B1  ø7x50 x8	B2  ø7x70 x6	C0  ø16mm x20	C2  x22	C7  16mm x22	D0  3x15 x31	D5  3,5x16 x20	D21  5x13 x16	E0  8x50 x2
H2  4x22 x6	J4  x4	J6  x4	K  4mm x1	L42  x3	M1  x25	M3  x6	N7  L-350 x1	P0  x2	Q3  x16	T8  x5
T25  x2	U0  x2									

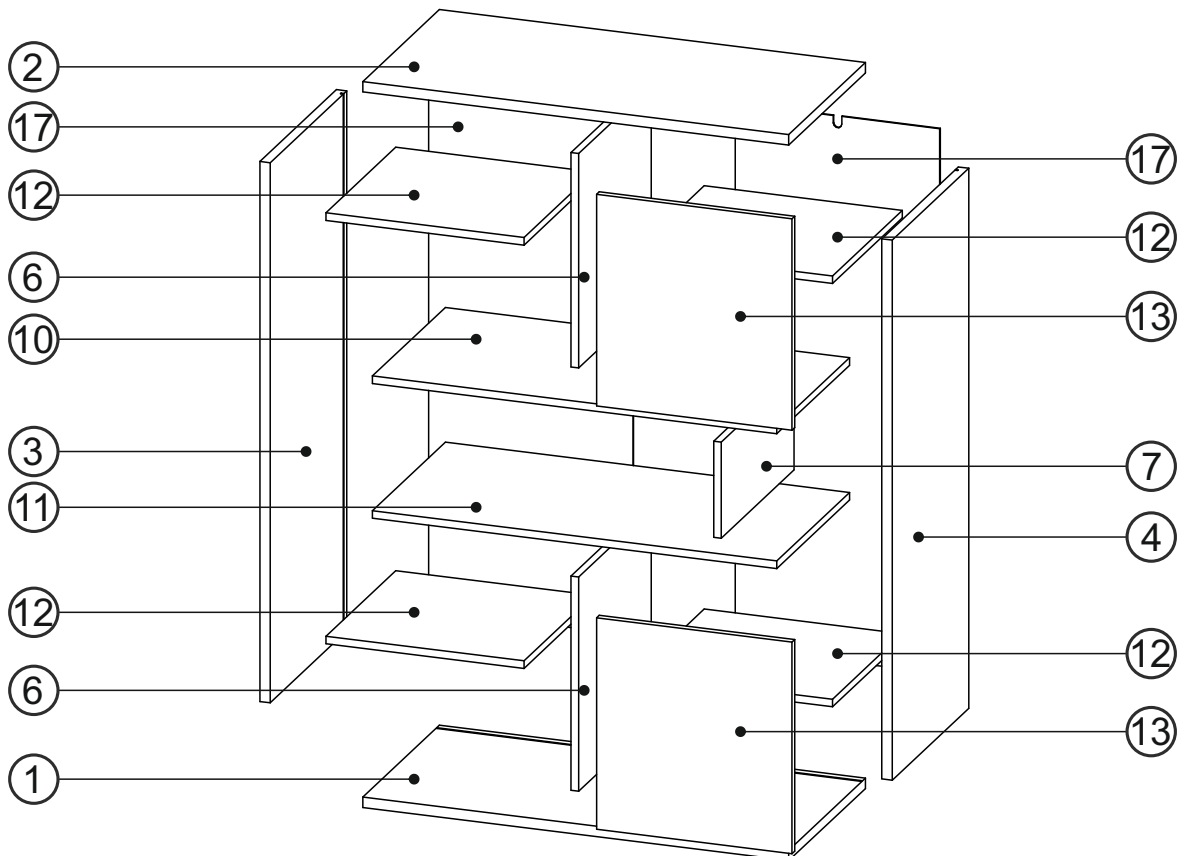
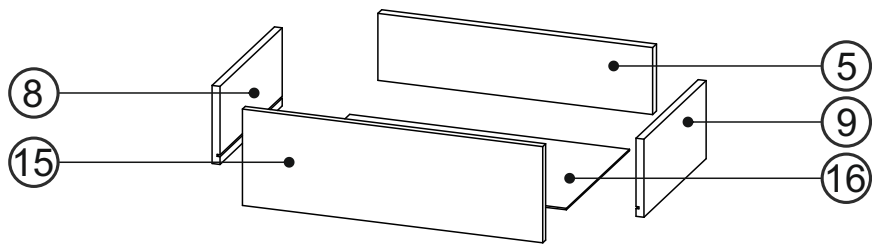


Bari Tall cabinet 2D/1Dr

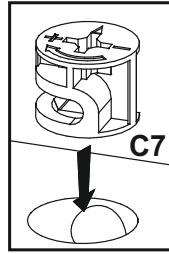
①	900	445	22	x1	1/3
②	900	445	22	x1	1/3
③	1141	444	22	x1	1/3
④	1141	444	22	x1	1/3
⑤	562	137	22	x1	2/3
⑥	453	422	16	x2	2/3
⑦	203	422	16	x1	2/3
⑧	350	160	16	x1	2/3
⑨	350	160	16	x1	2/3

⑩	854	423	16	x1	2/3
⑪	854	423	16	x1	2/3
⑫	418,5	405	16	x4	2/3
⑬	447	413	16	x1	2/3
⑭	447	413	16	x1	2/3
⑮	614	197	16	x1	2/3
⑯	572	354	3	x1	1/3
⑰	1151	432	3	x2	1/3

					3/3
---	--	--	--	--	-----



1



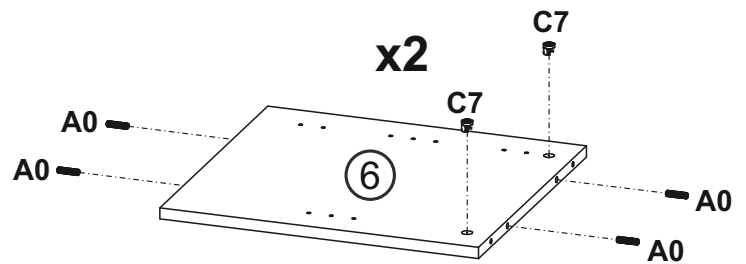
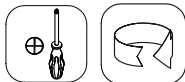
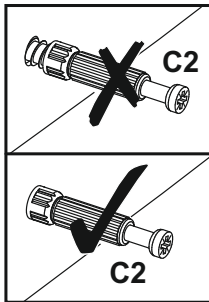
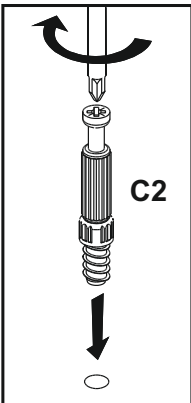
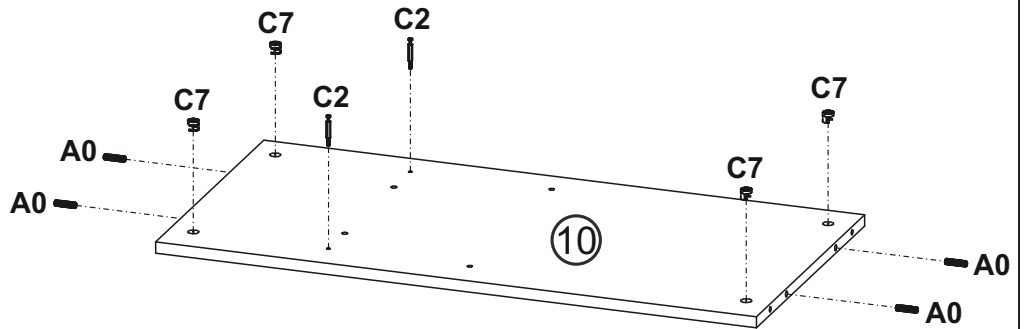
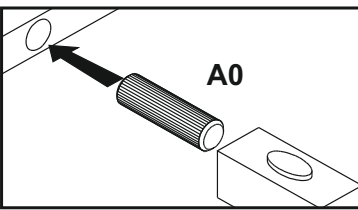
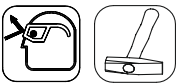
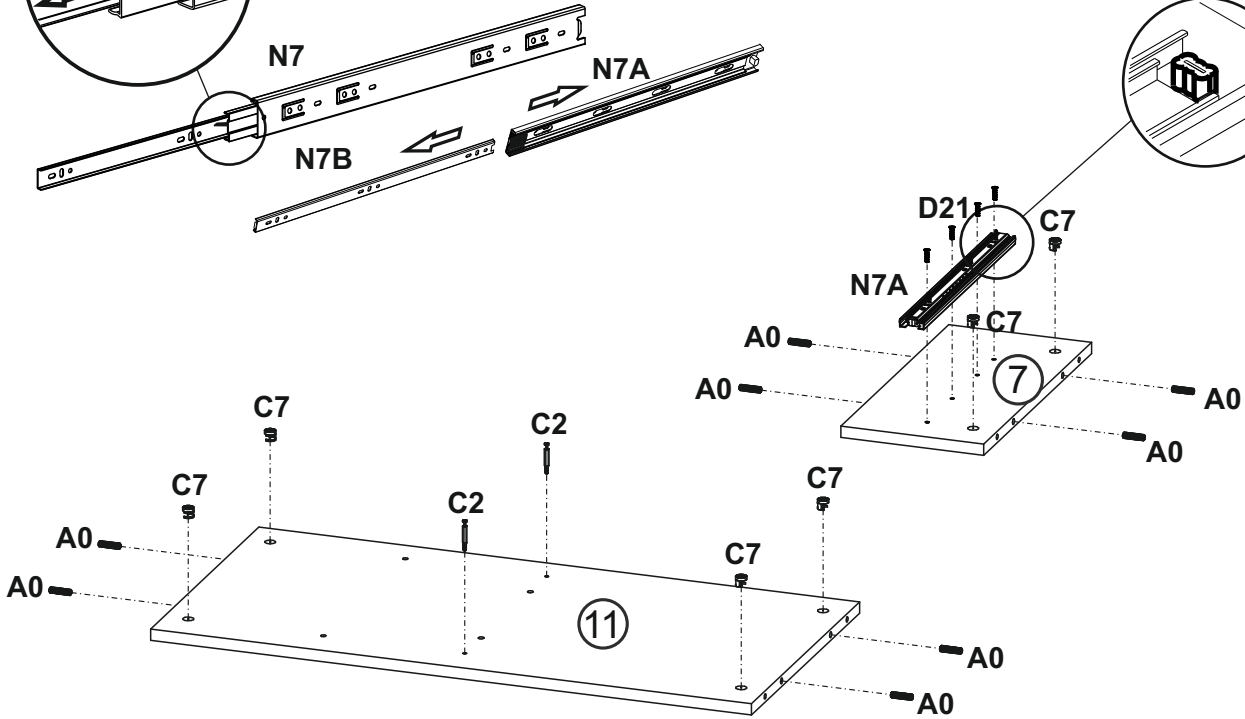
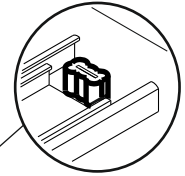
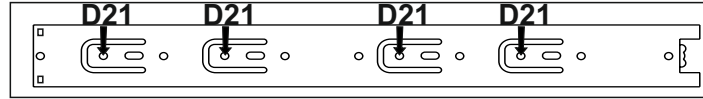
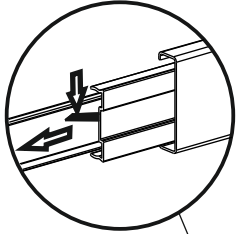
A0
∅8x30
x20

C2
16mm
x4

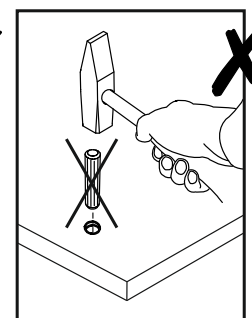
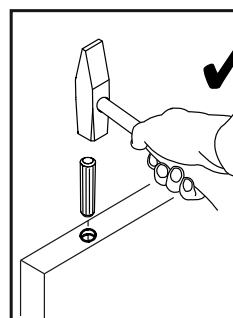
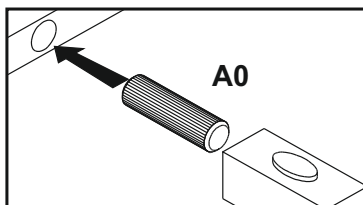
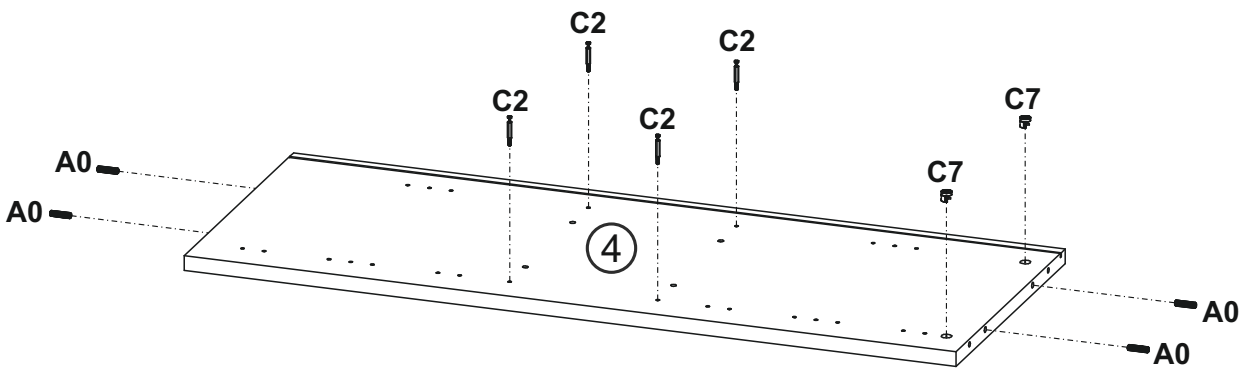
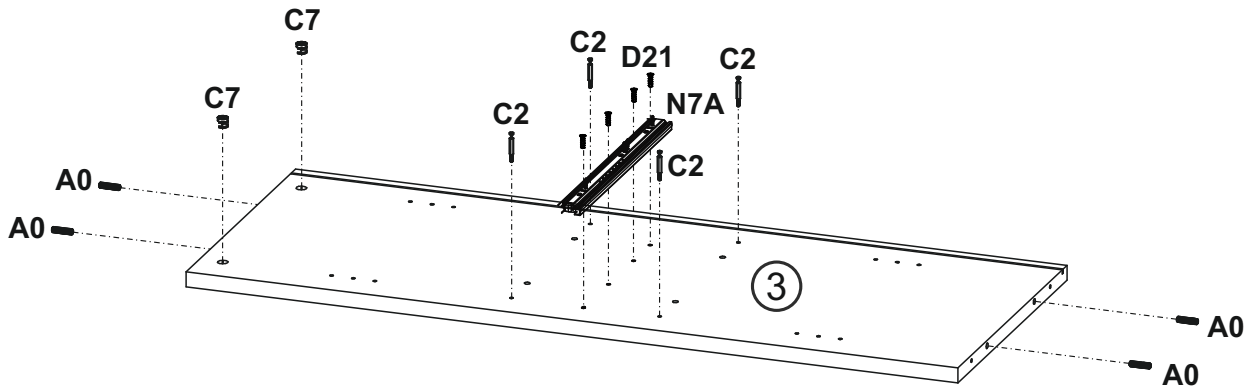
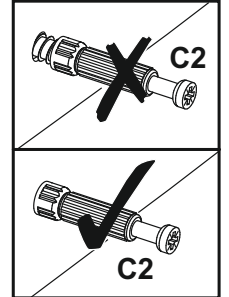
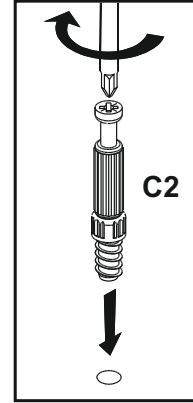
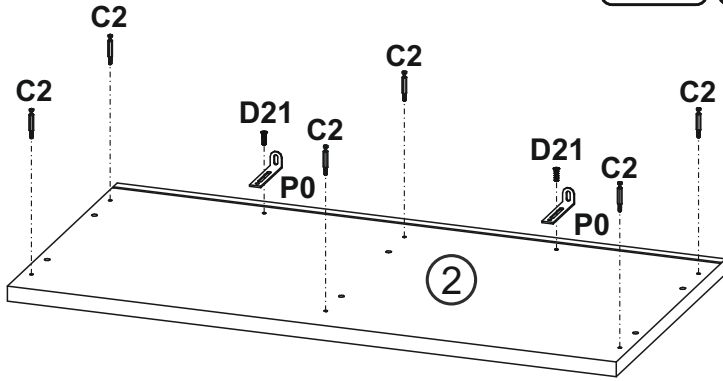
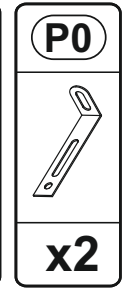
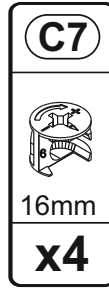
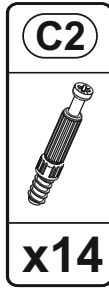
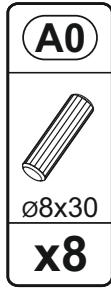
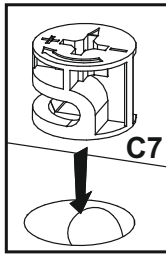
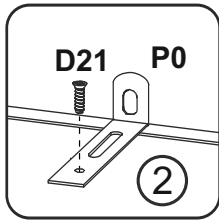
C7
5x13
x4

D21
L-350
x1

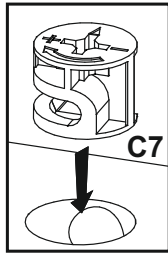
N7
L-350
x1



2



3



A0
∅8x30
x6

C2
16mm
x4

C7
16mm
x4

D5
3,5x16
x8

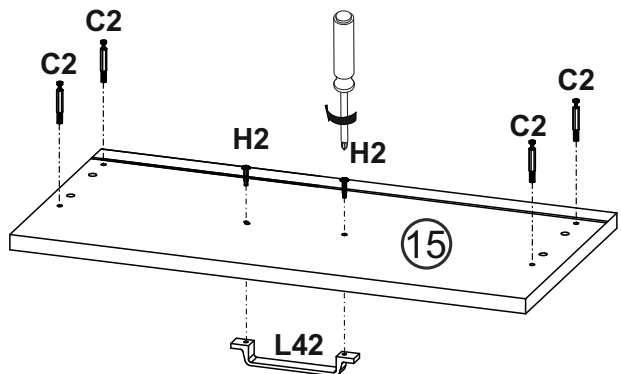
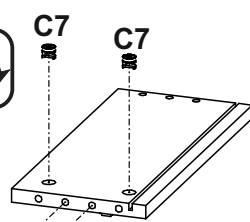
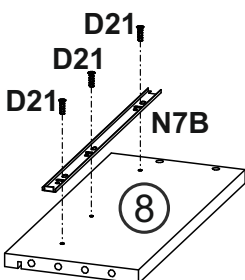
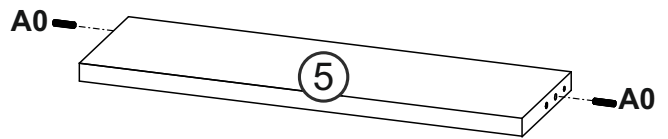
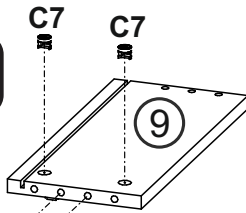
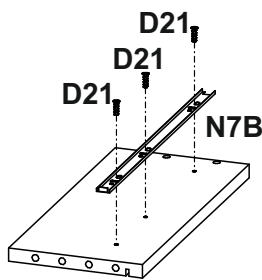
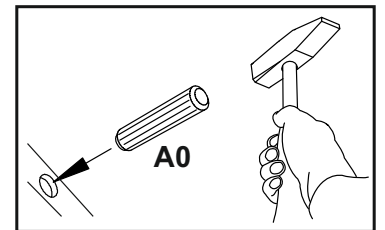
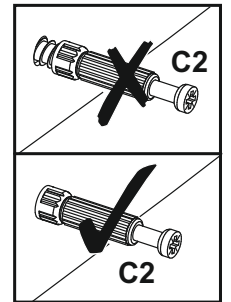
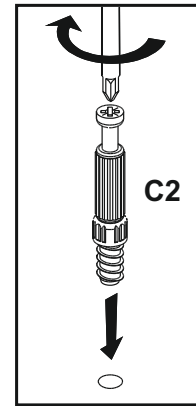
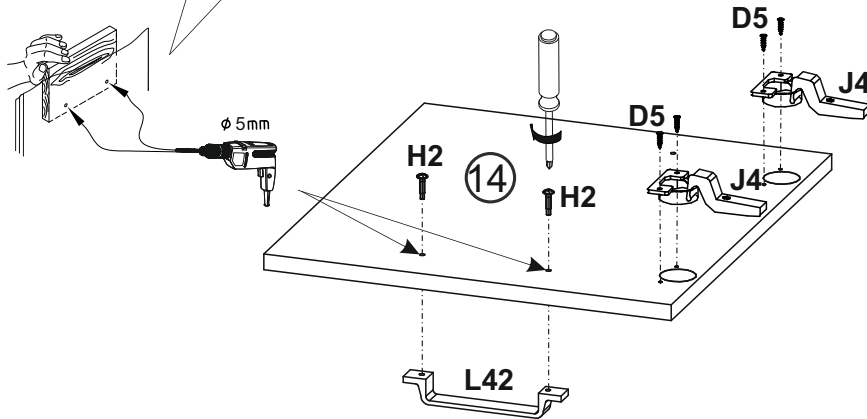
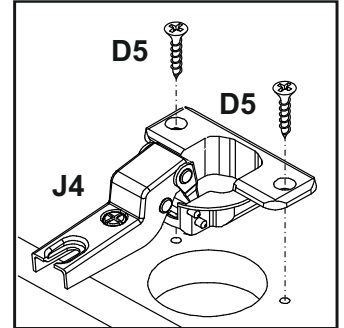
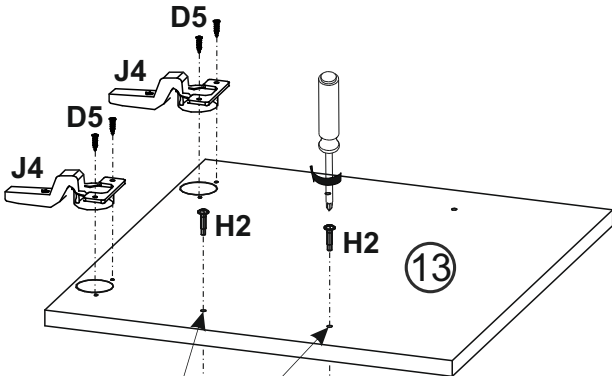
D21
5x13
x6

H2
4x22
x6

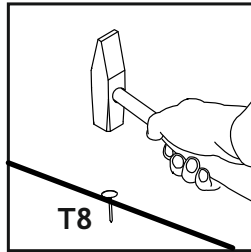
J4
x4

L42
x3

N7B
L-350
x1



4



B0

 ø 7mm
x4

B1

 ø7x50
x4

C0

 ø16mm
x4

D0

 3x15
x7

K

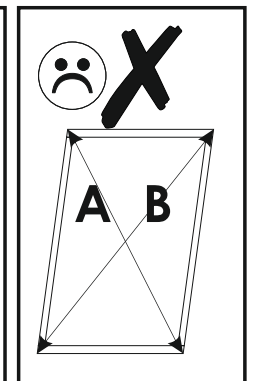
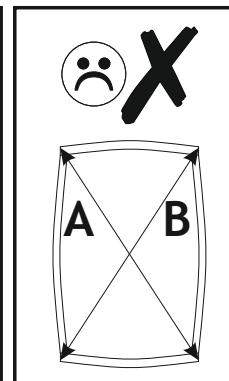
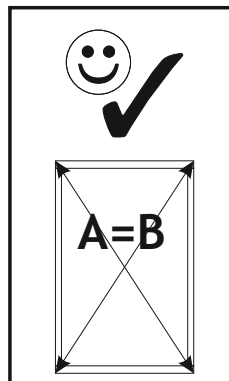
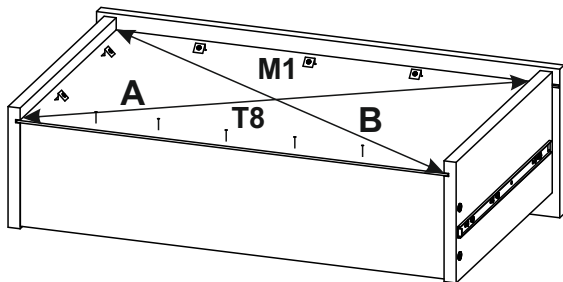
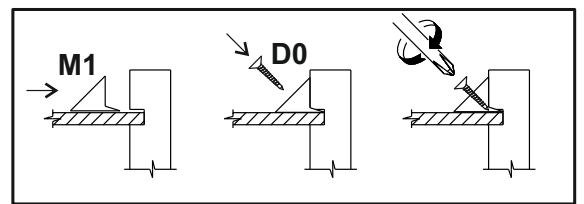
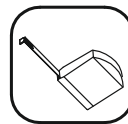
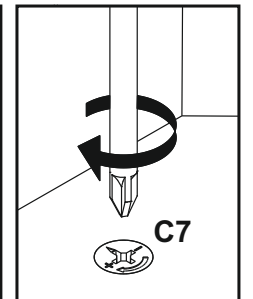
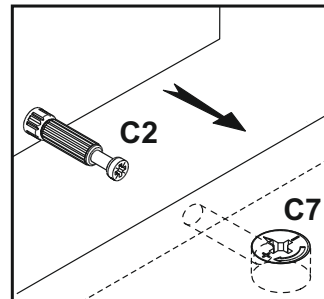
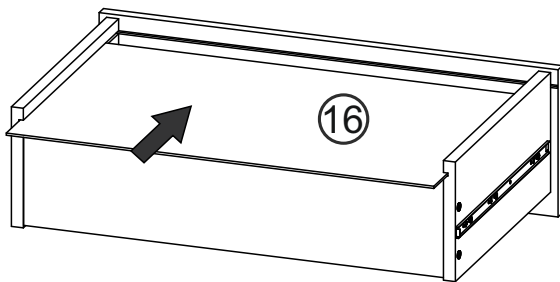
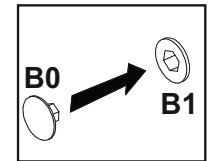
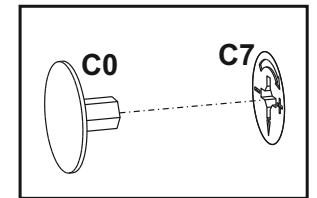
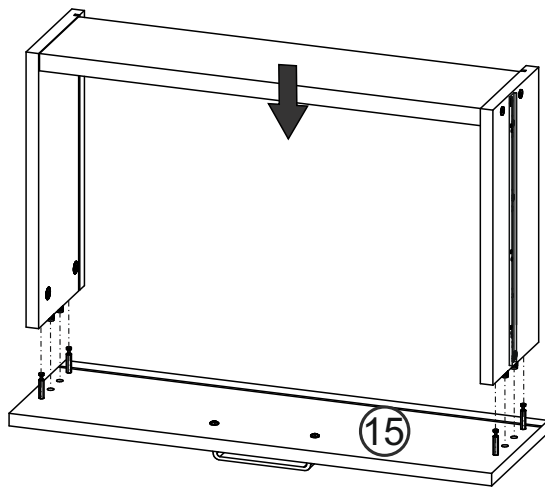
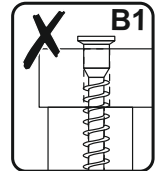
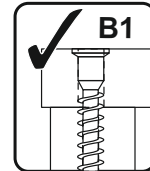
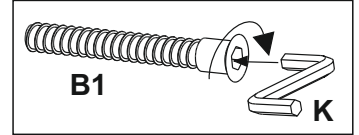
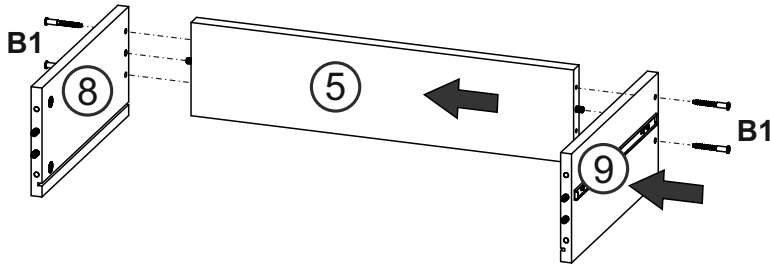
 4mm
x1

M1

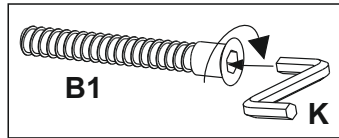
x7

T8

x5



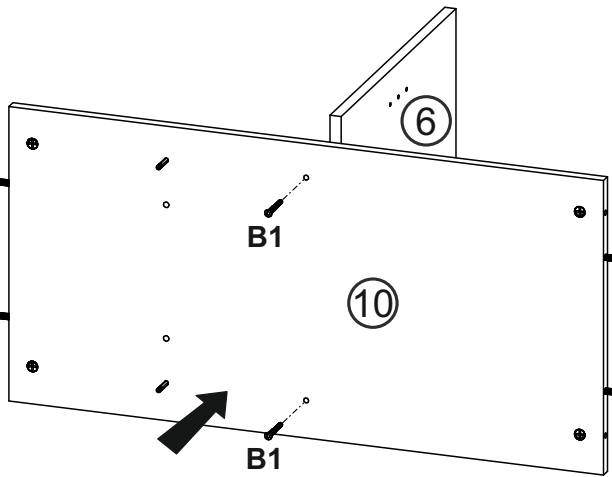
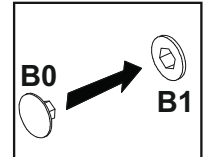
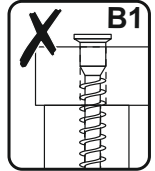
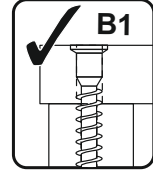
5



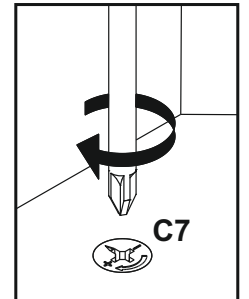
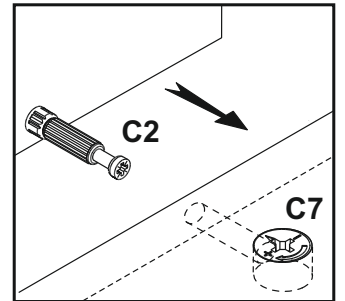
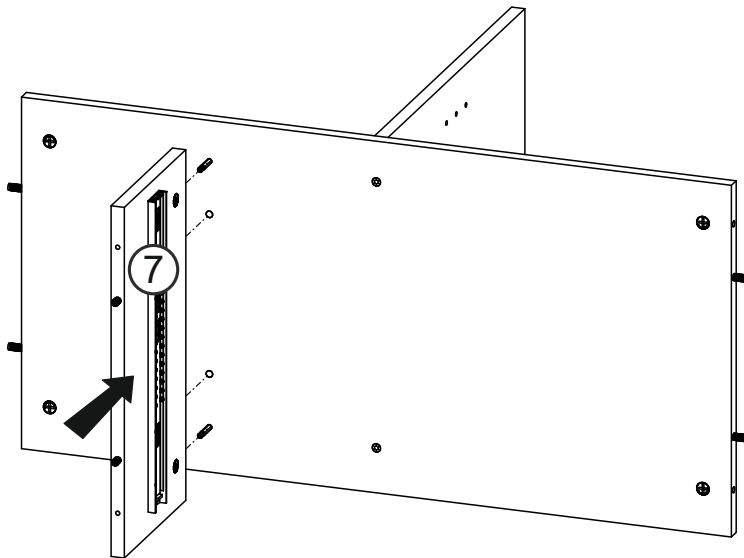
B0
ø 7mm
x2

B1
ø7x50
x2

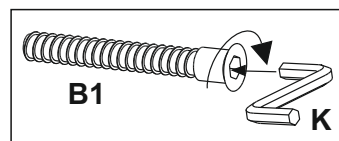
K
4mm
x1



6

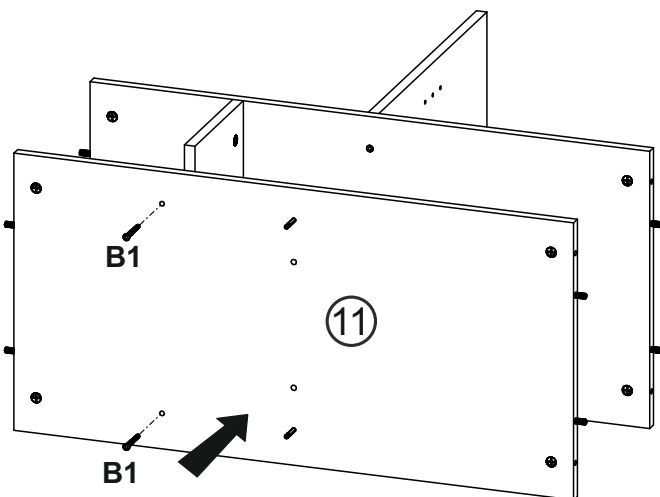
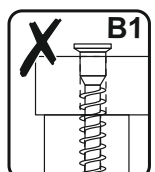
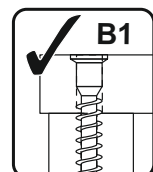


7

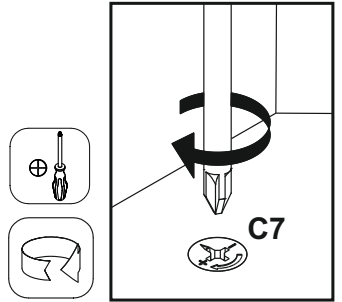
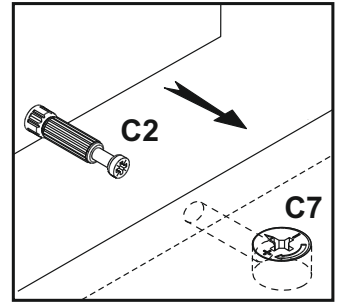
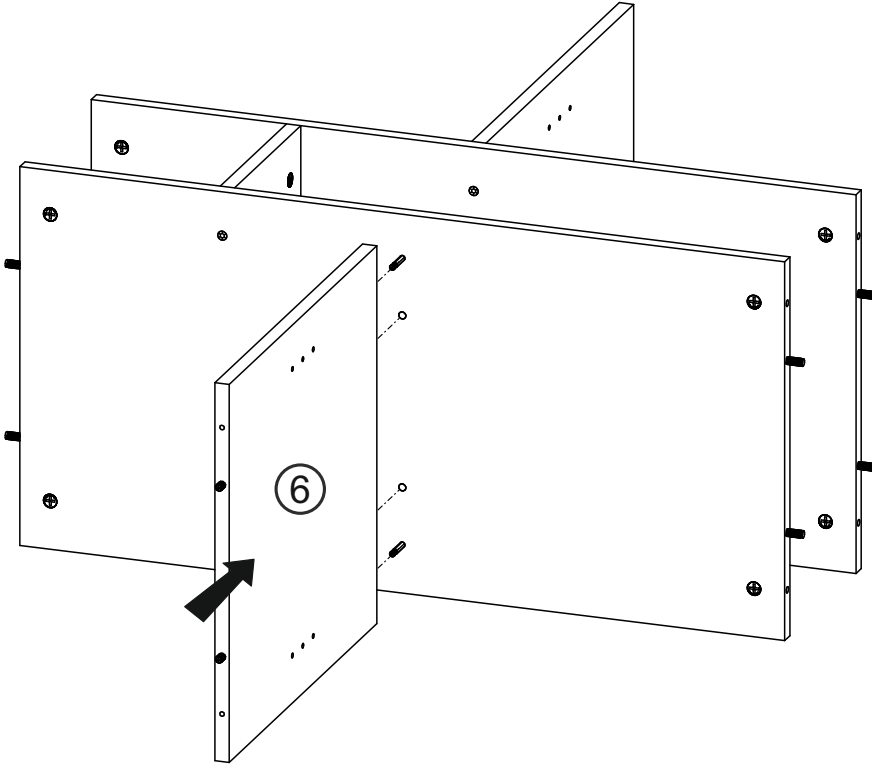


B1
ø7x50
x2

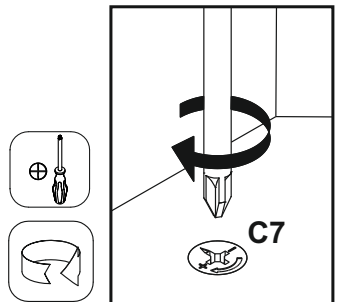
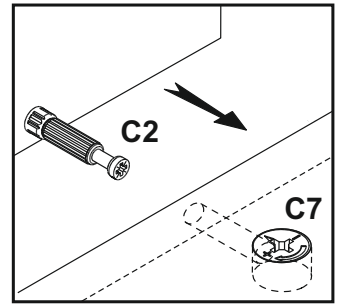
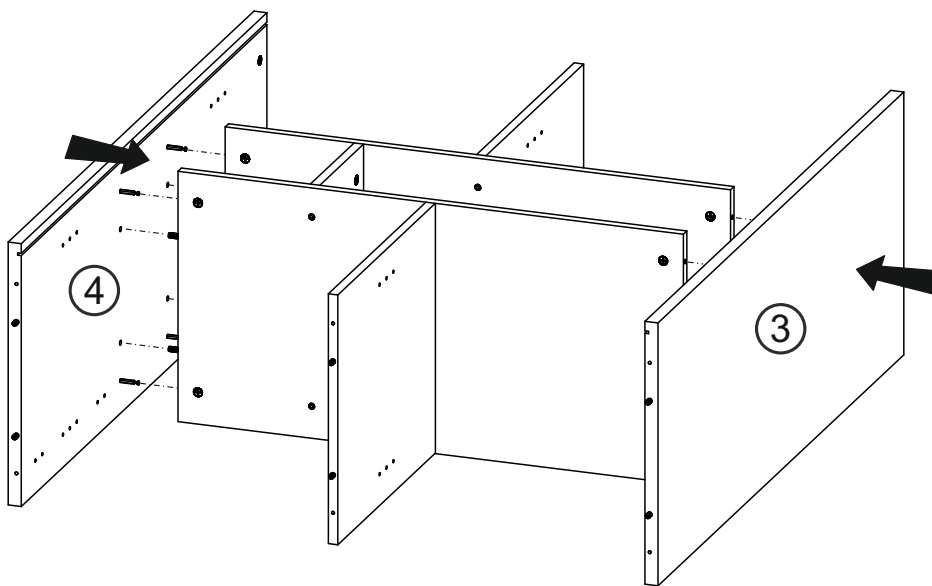
K
4mm
x1



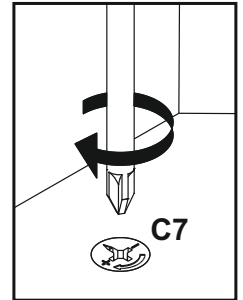
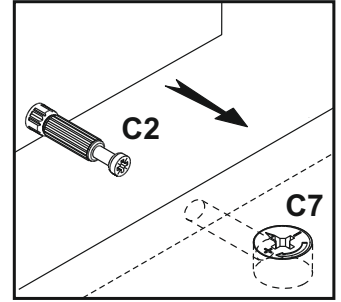
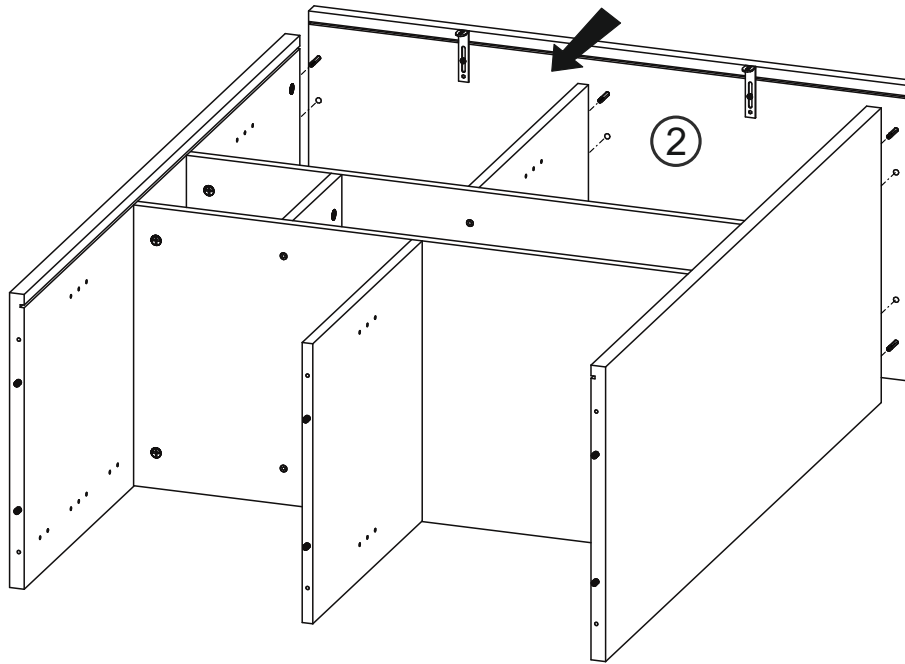
8



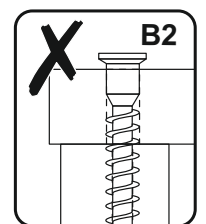
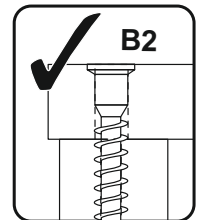
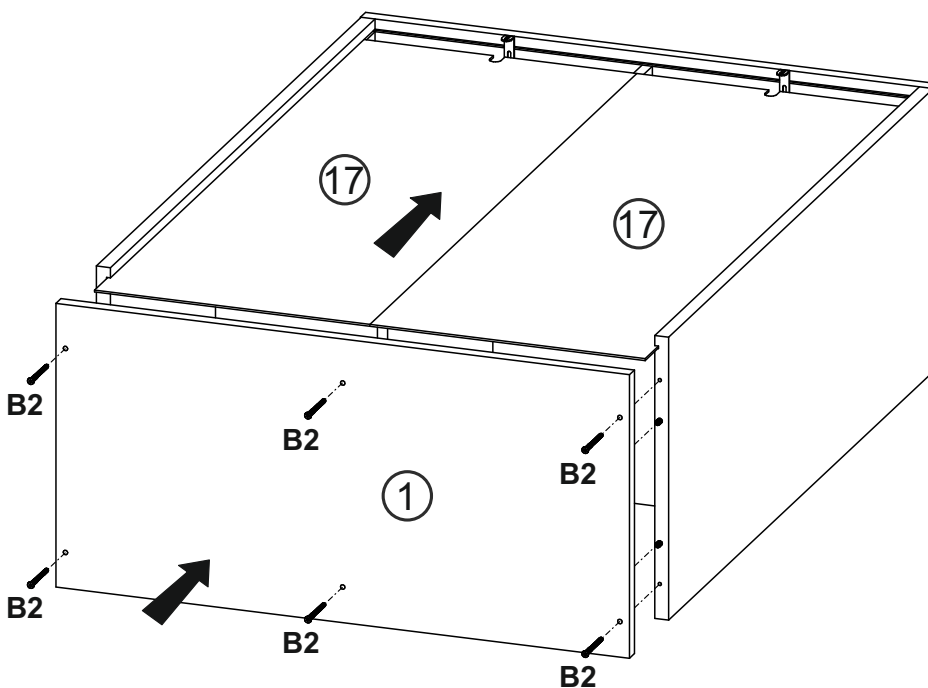
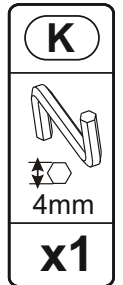
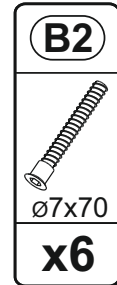
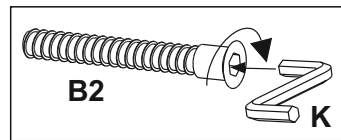
9



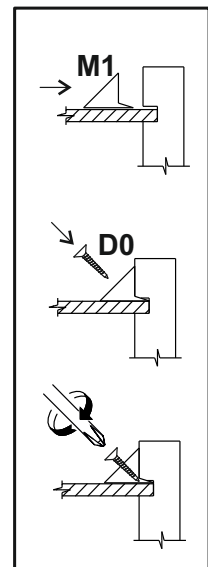
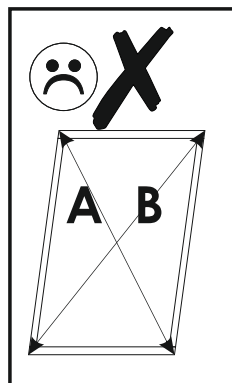
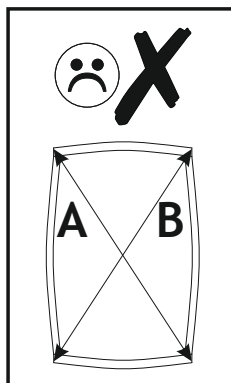
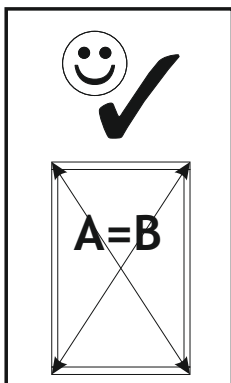
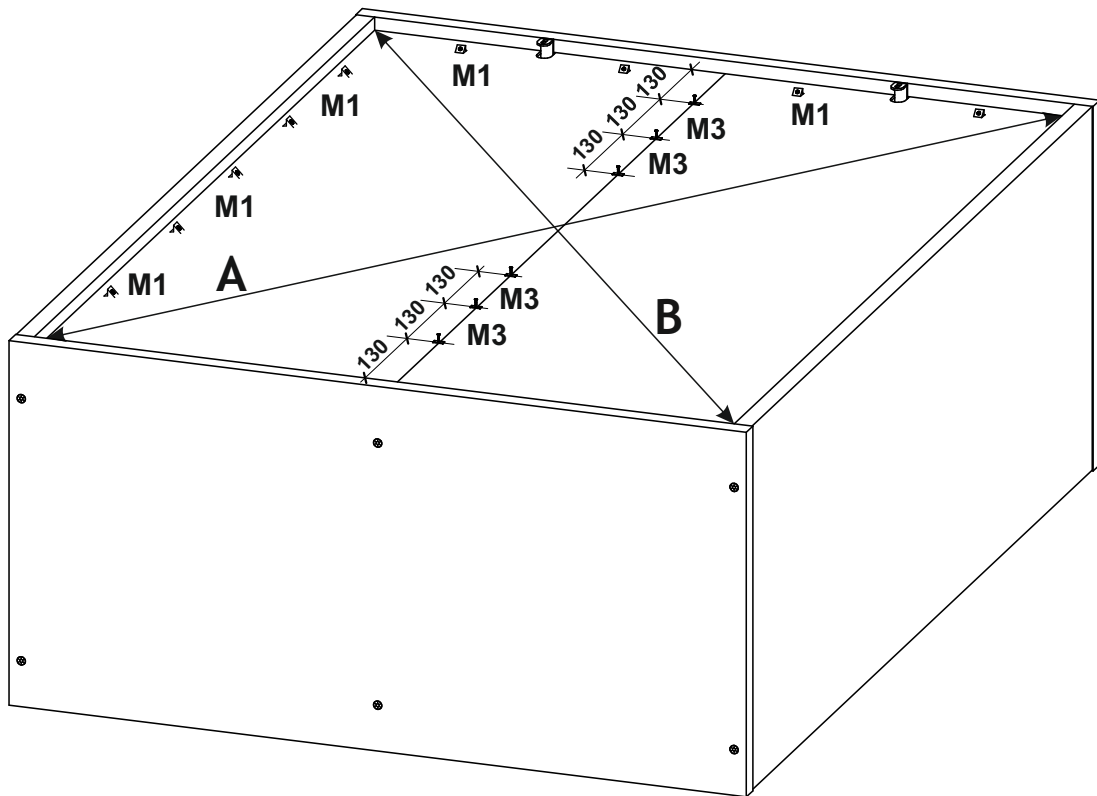
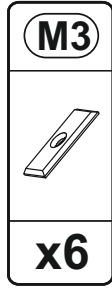
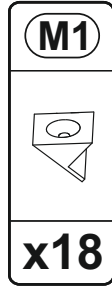
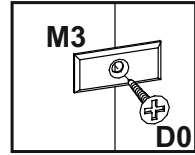
10




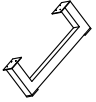
11

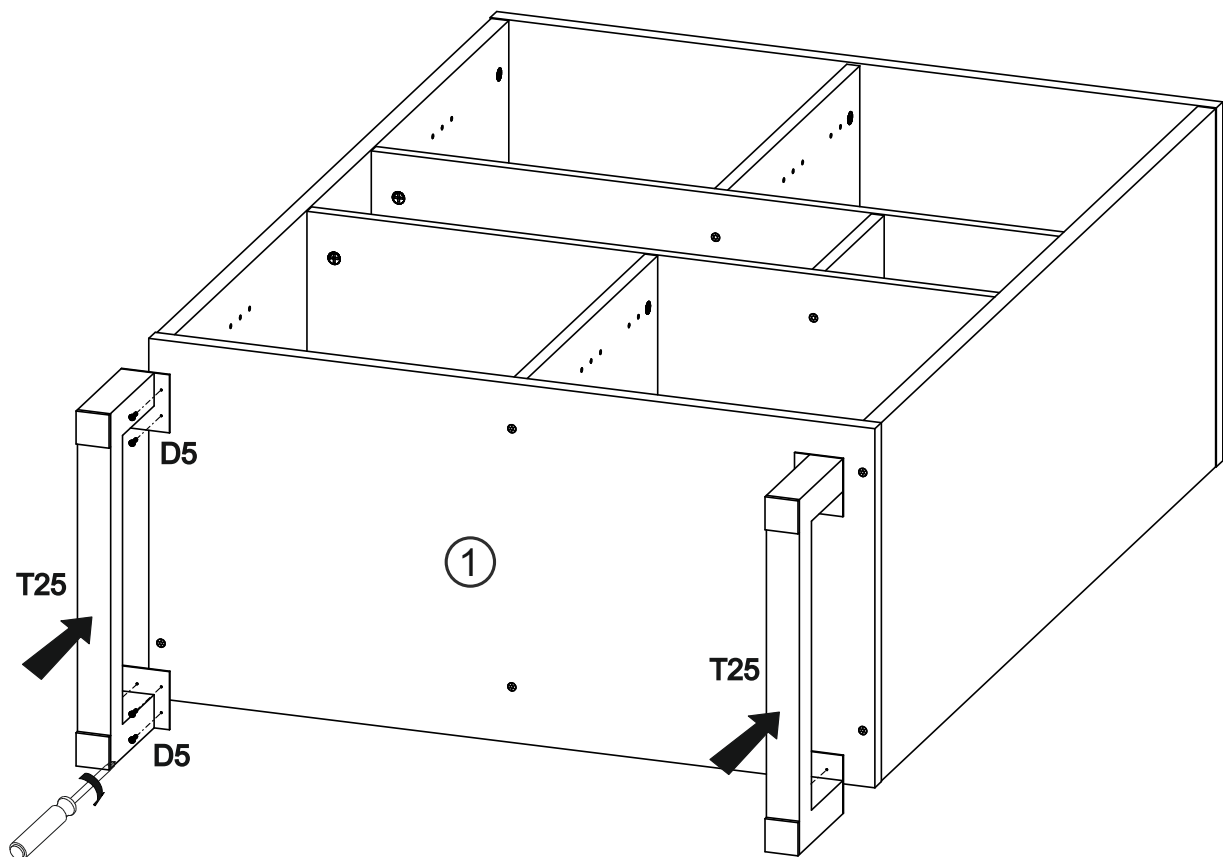
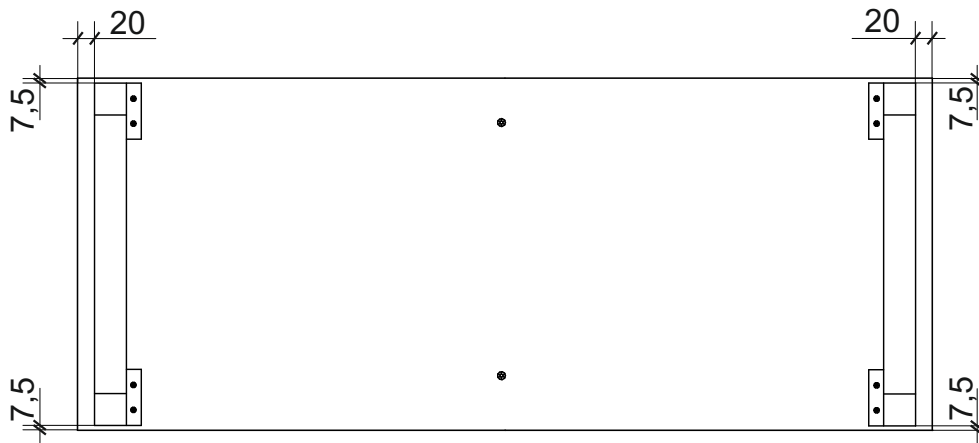
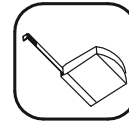


12



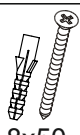
13

D5	T25
	
3,5x16	
x12	x2



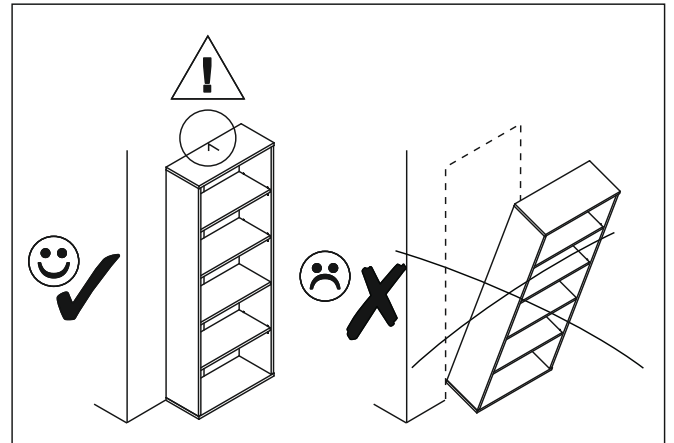
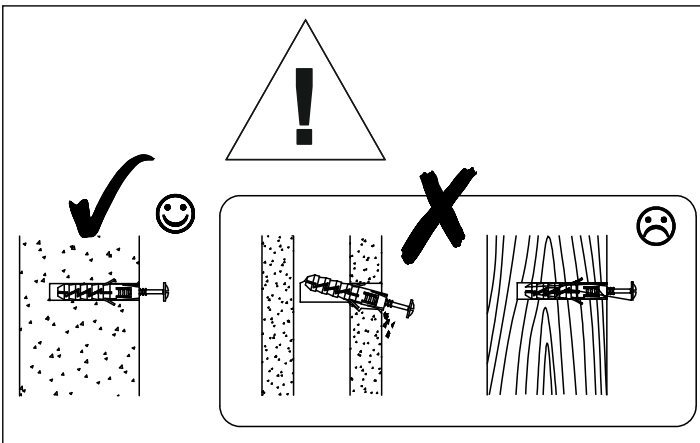
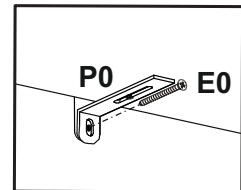
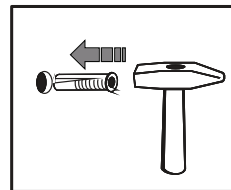
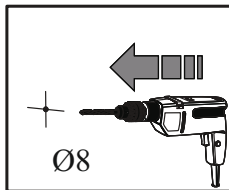
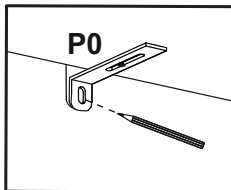
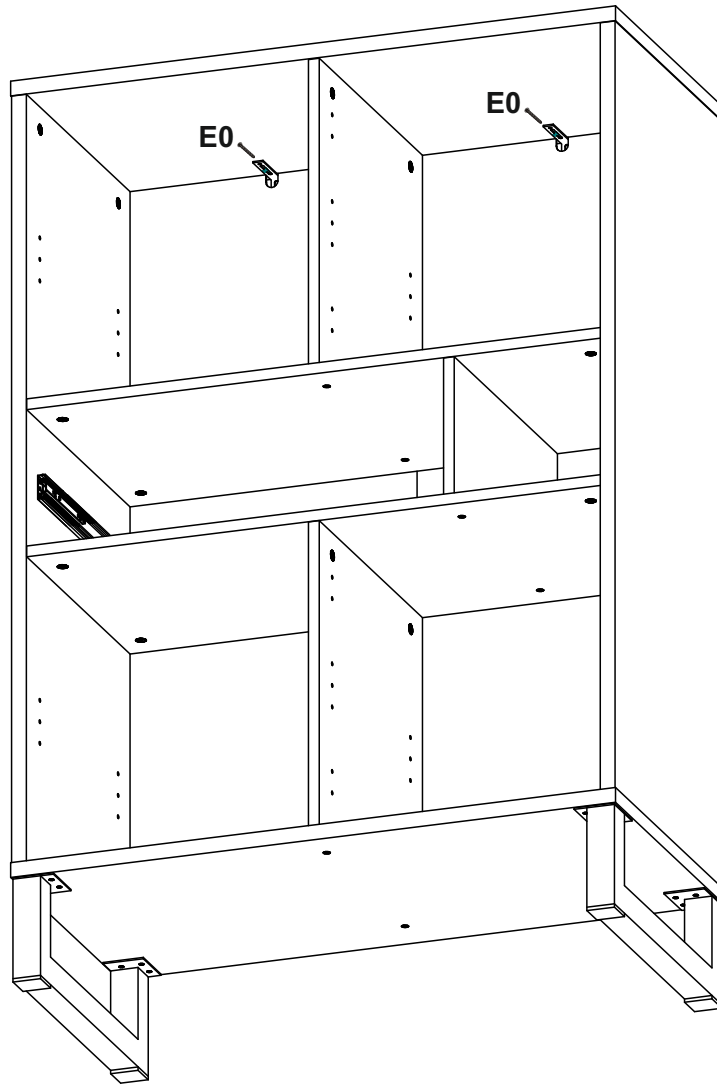
14

E0

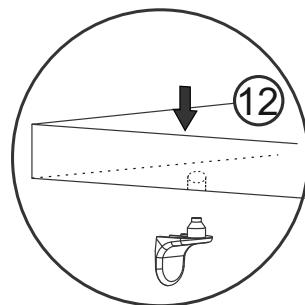
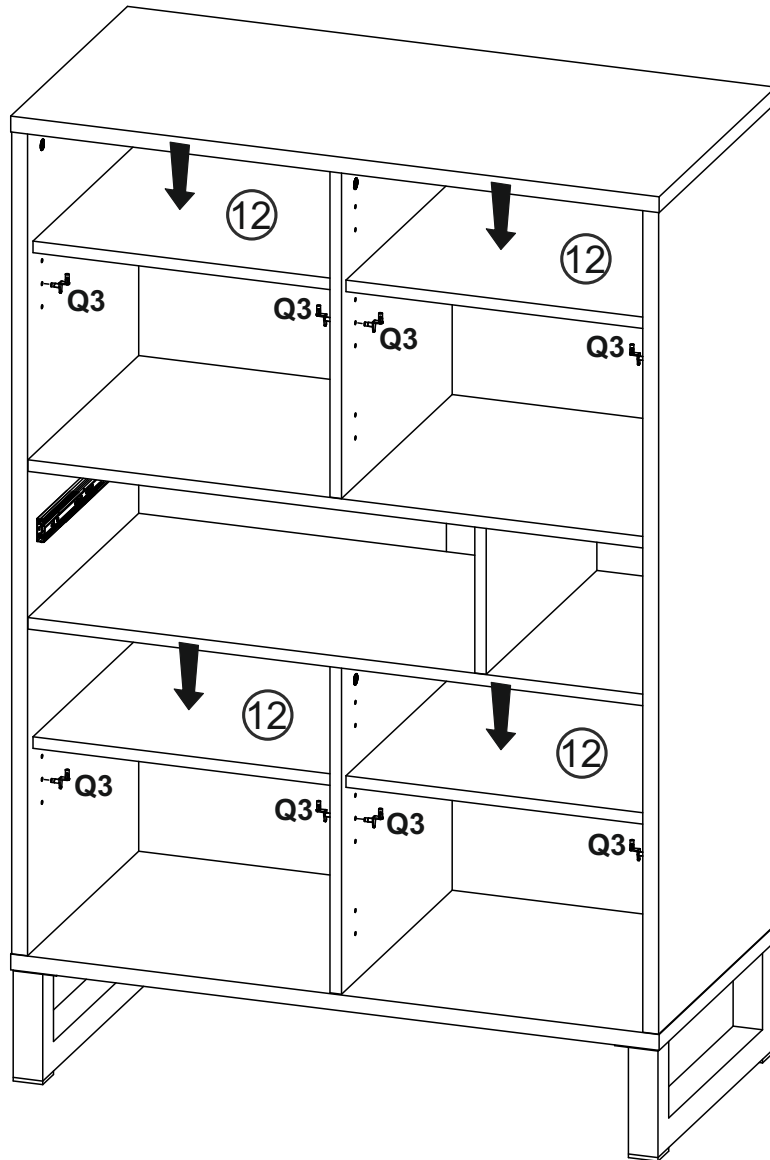
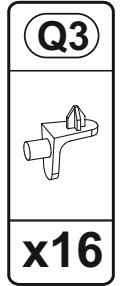
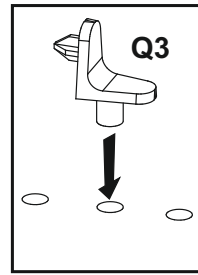


8x50

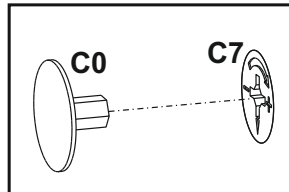
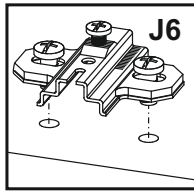
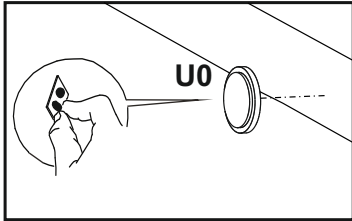
x2



15



16

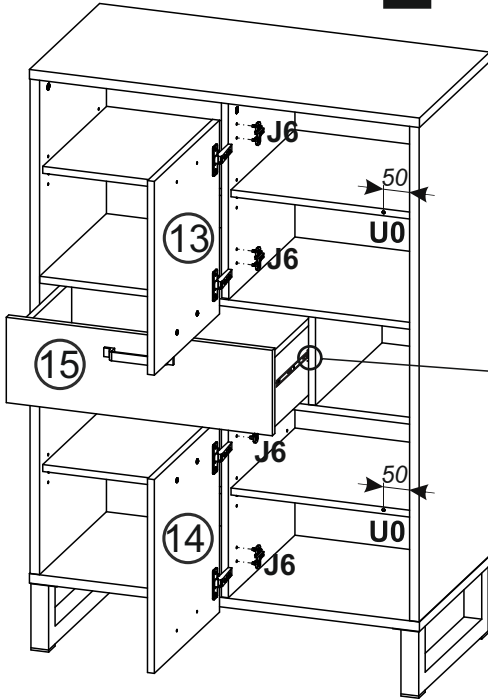


C0
ø16mm
x16

J6
x4

U0
x2

L



R

