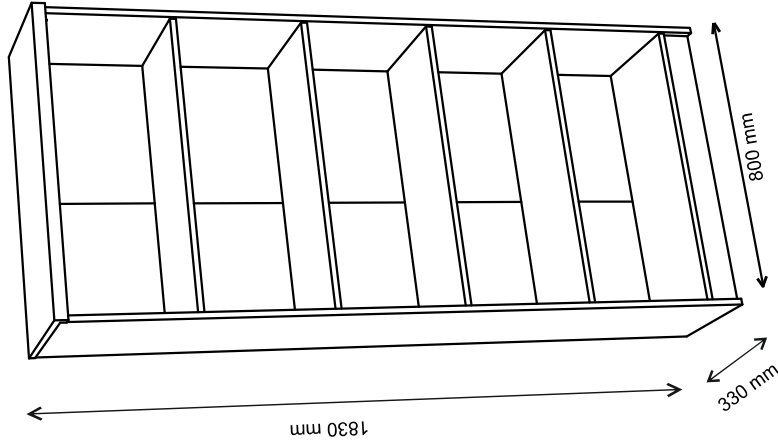
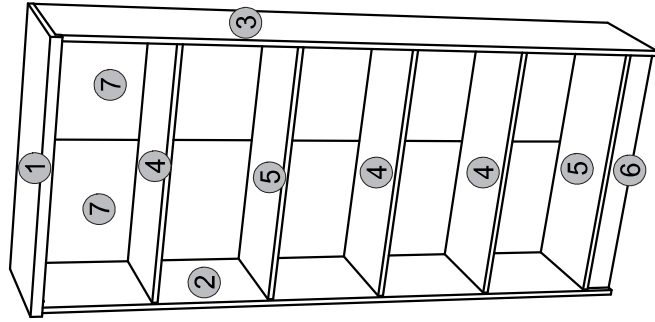
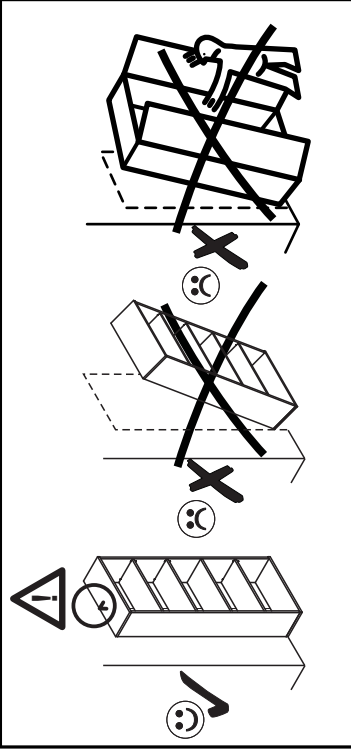
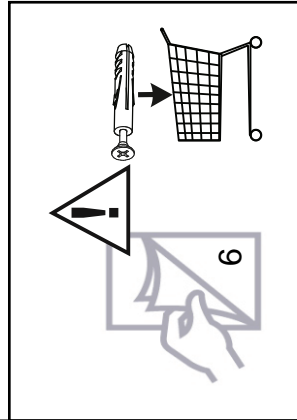
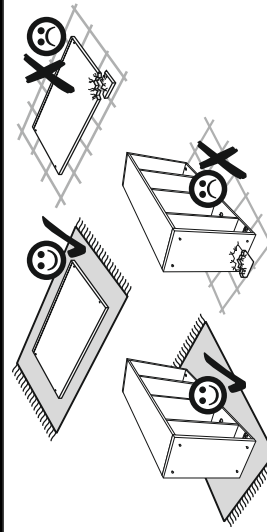
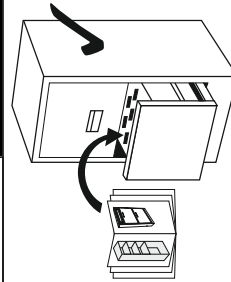
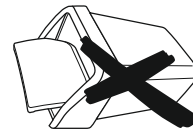
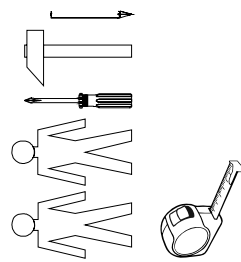
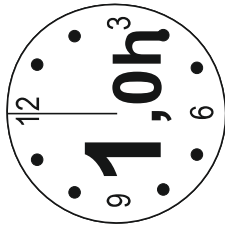
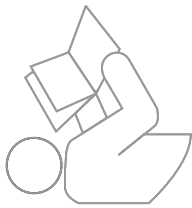
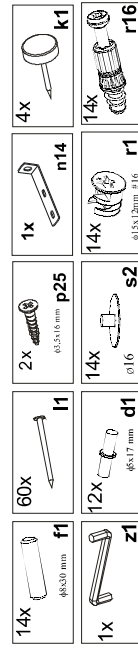


Instalation manual

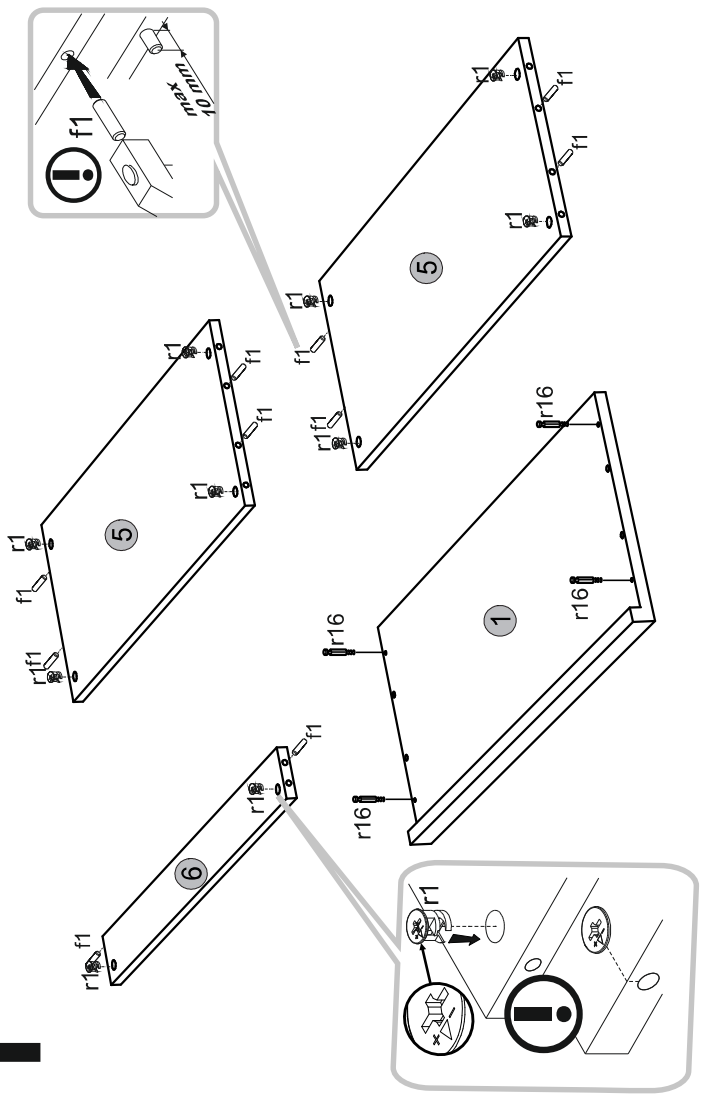
TOP-MIX: REG_OTW_WYS_80



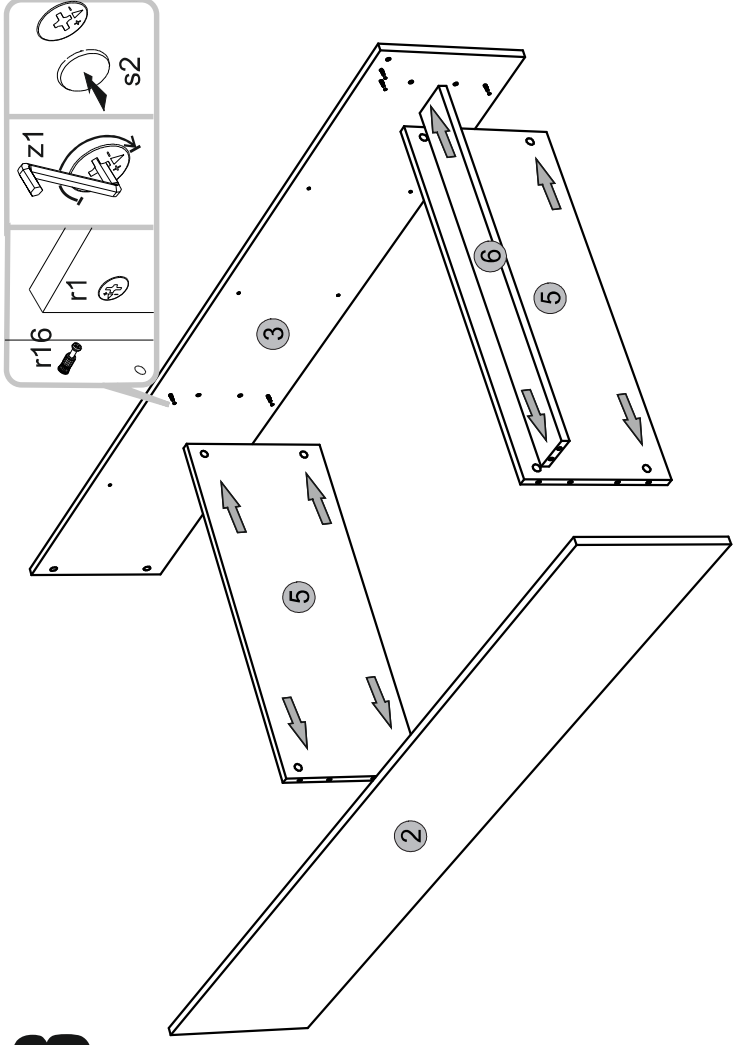
Element symbol	Dimensions		Code	Package
	800	16/32		
1	330	1	T-206	2/2
2	1814	16	T-109	1/1
3	1814	16	T-110	1/1
4	766	16	T-311	2/2
5	766	16	T-312	2/2
6	766	16	T-405	1/1
7	1745	3	T-608	1/1



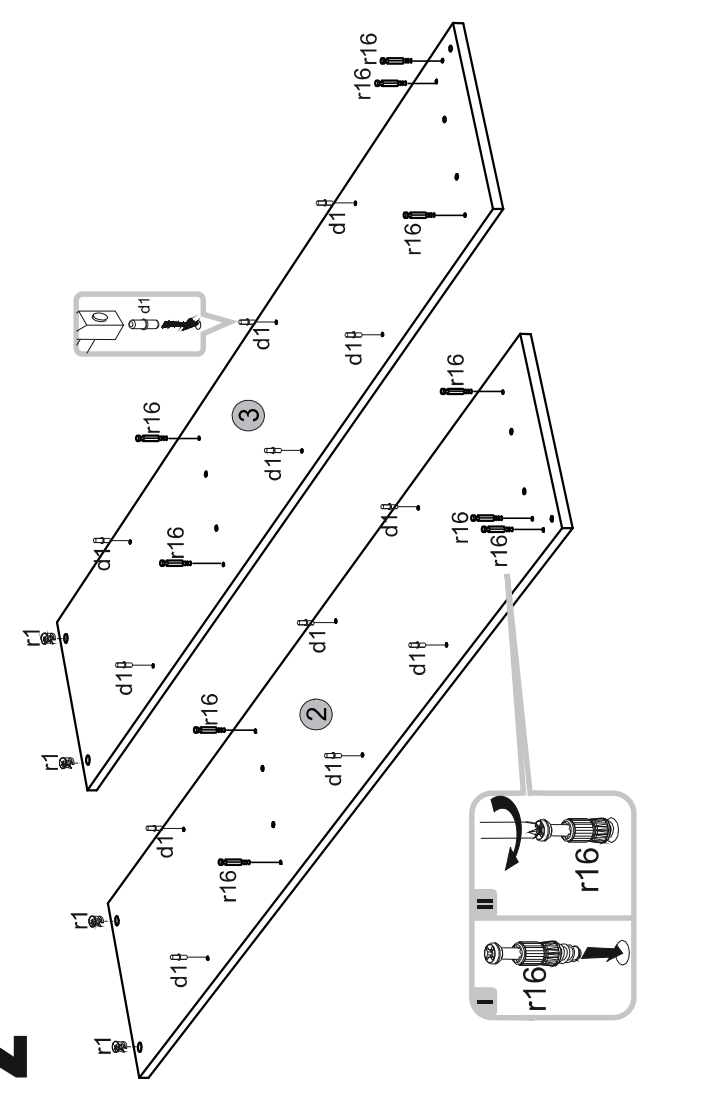
1



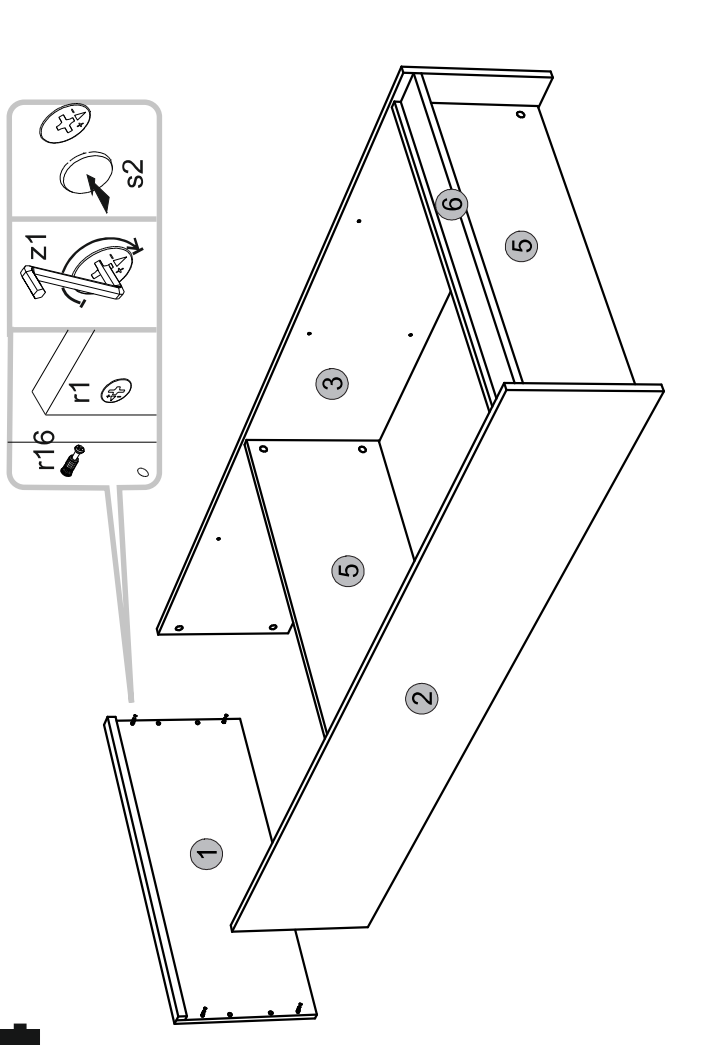
3



2

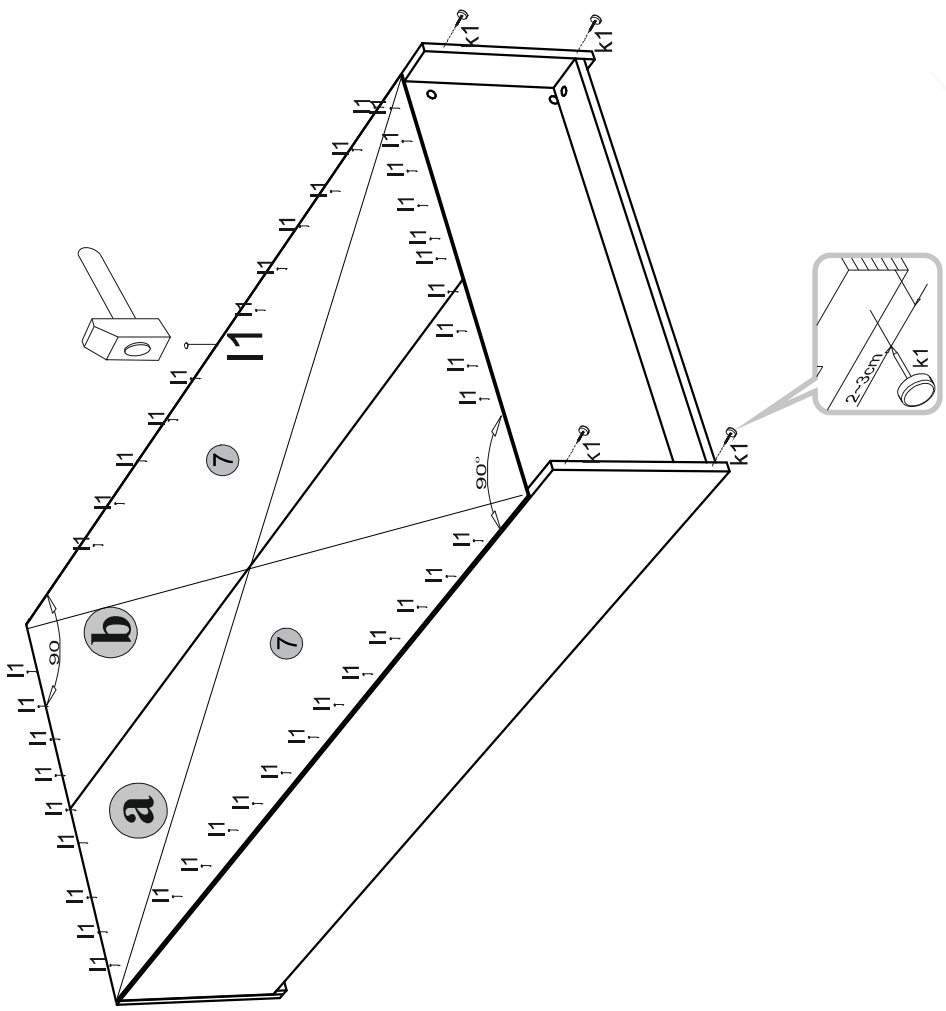


4



5

! a=b



6

! **kg max.** **kg max.**

n14

